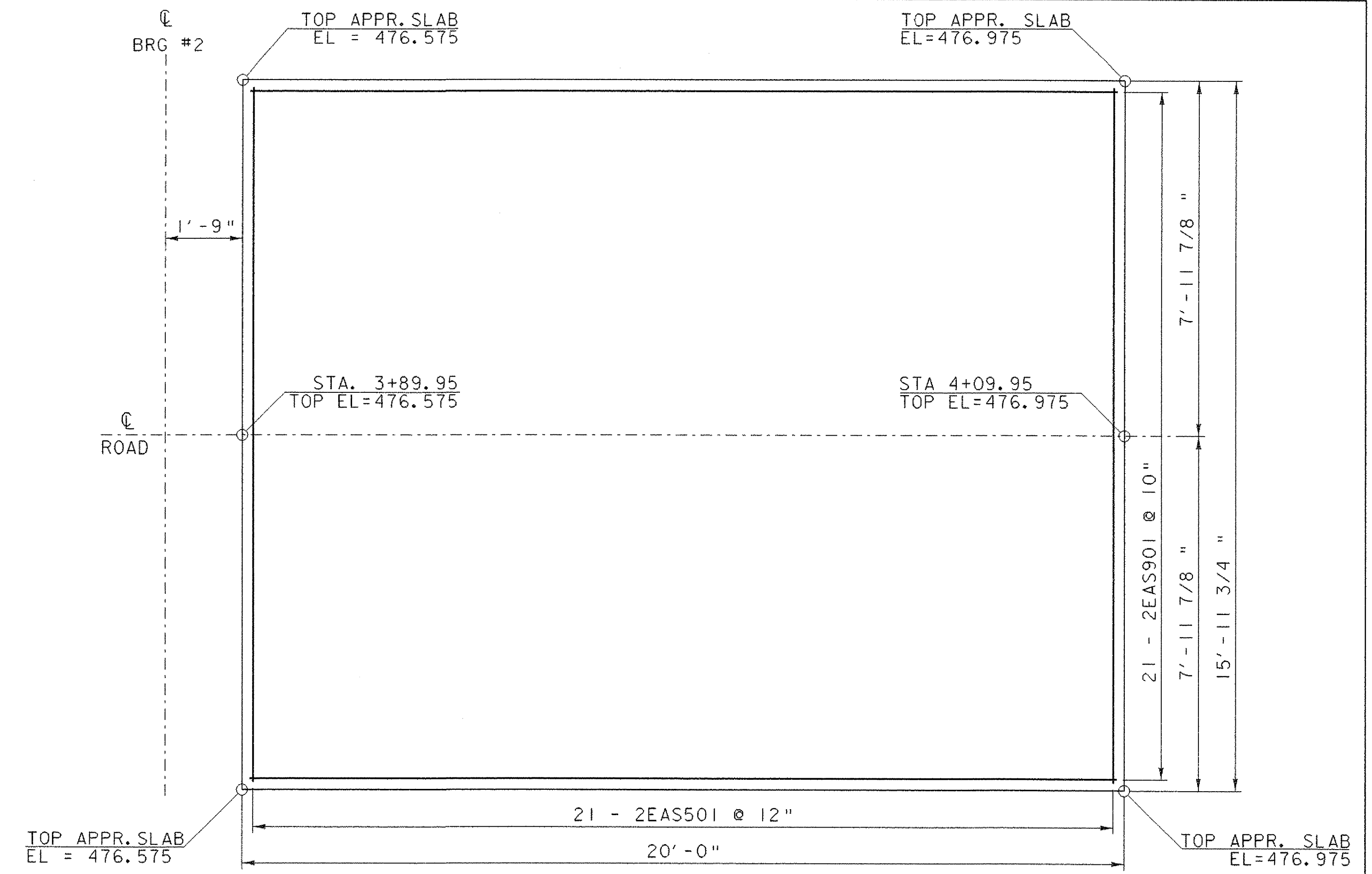
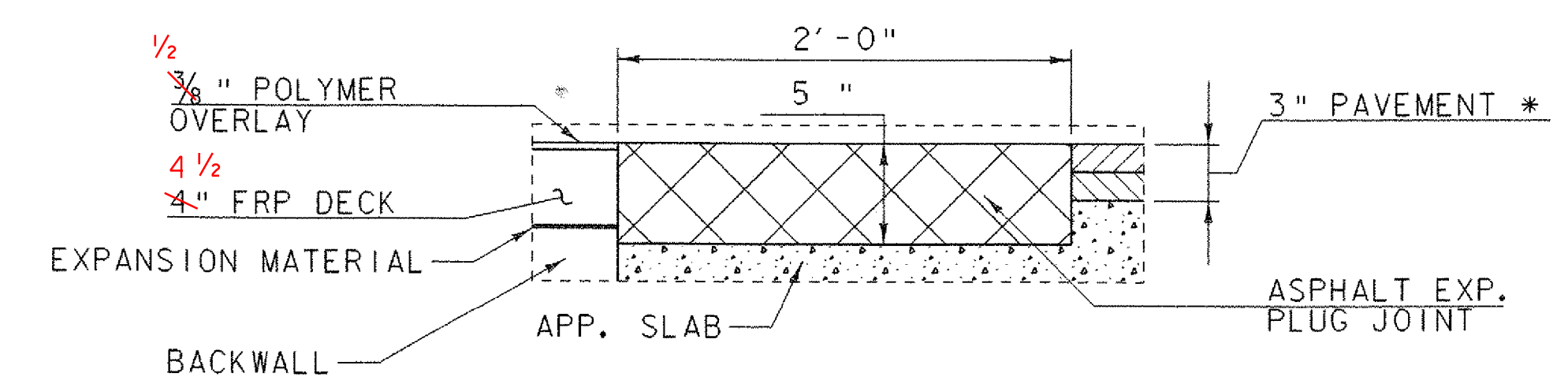


APPROACH SLAB #1  
PLAN VIEW  
SCALE 1/2" = 1'-0"

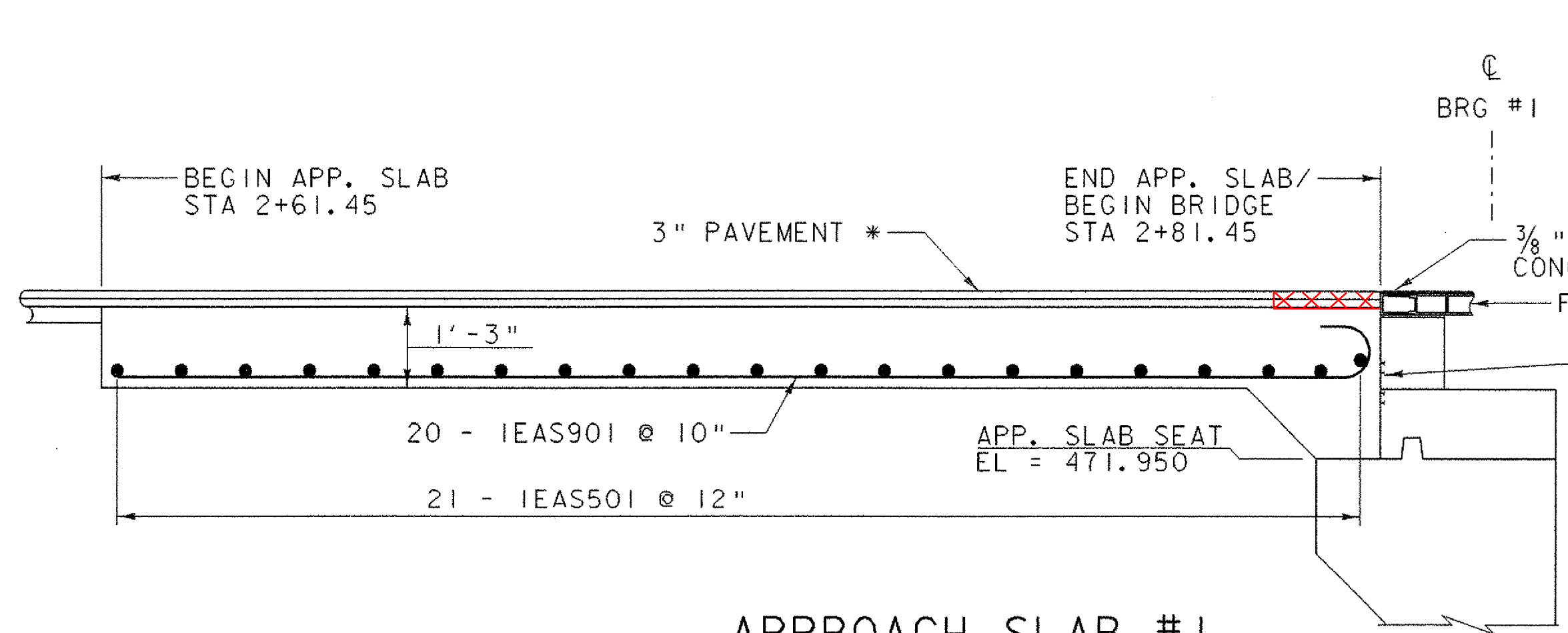


APPROACH SLAB #2  
PLAN VIEW  
SCALE 1/2" = 1'-0"

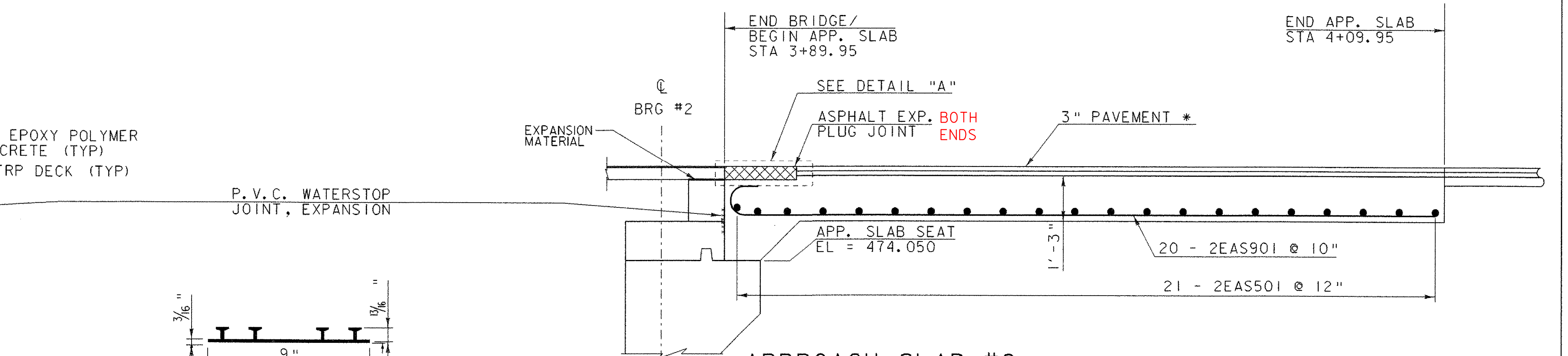


DETAIL "A"  
N.T.S.

\* 1 1/2" TYPE III OR IV OVER  
1 1/2" TYPE III OR IV



APPROACH SLAB #1  
ELEVATION VIEW  
SCALE 1/2" = 1'-0"



APPROACH SLAB #2  
ELEVATION VIEW  
SCALE 1/2" = 1'-0"

**P.V.C. WATERSTOP FOR CONSTRUCTION JOINTS**  
THE COSTS FOR P.V.C. WATERSTOP SHALL BE INCLUDED IN THE UNIT PRICE BID FOR CONTRACT ITEM 501.34. OTHER CONFIGURATIONS MAY BE USED UPON APPROVAL OF THE PROJECT MANAGER.

NTS

SCALE 1/2" = 1'-0"

PROJECT NAME: BRADFORD	FILE NAME: 96j286/str/s96j286sup.dgn	PLOT DATE: 22-NOV-2006
PROJECT NUMBER: STP 1447(28)	PROJECT LEADER: C.P.WILLIAMS	DRAWN BY: D.D.BEARD
	DESIGNED BY: M.GAGULIC	CHECKED BY: R.S.YOUNG
	APPROACH SLABS	SHEET 23 OF 63