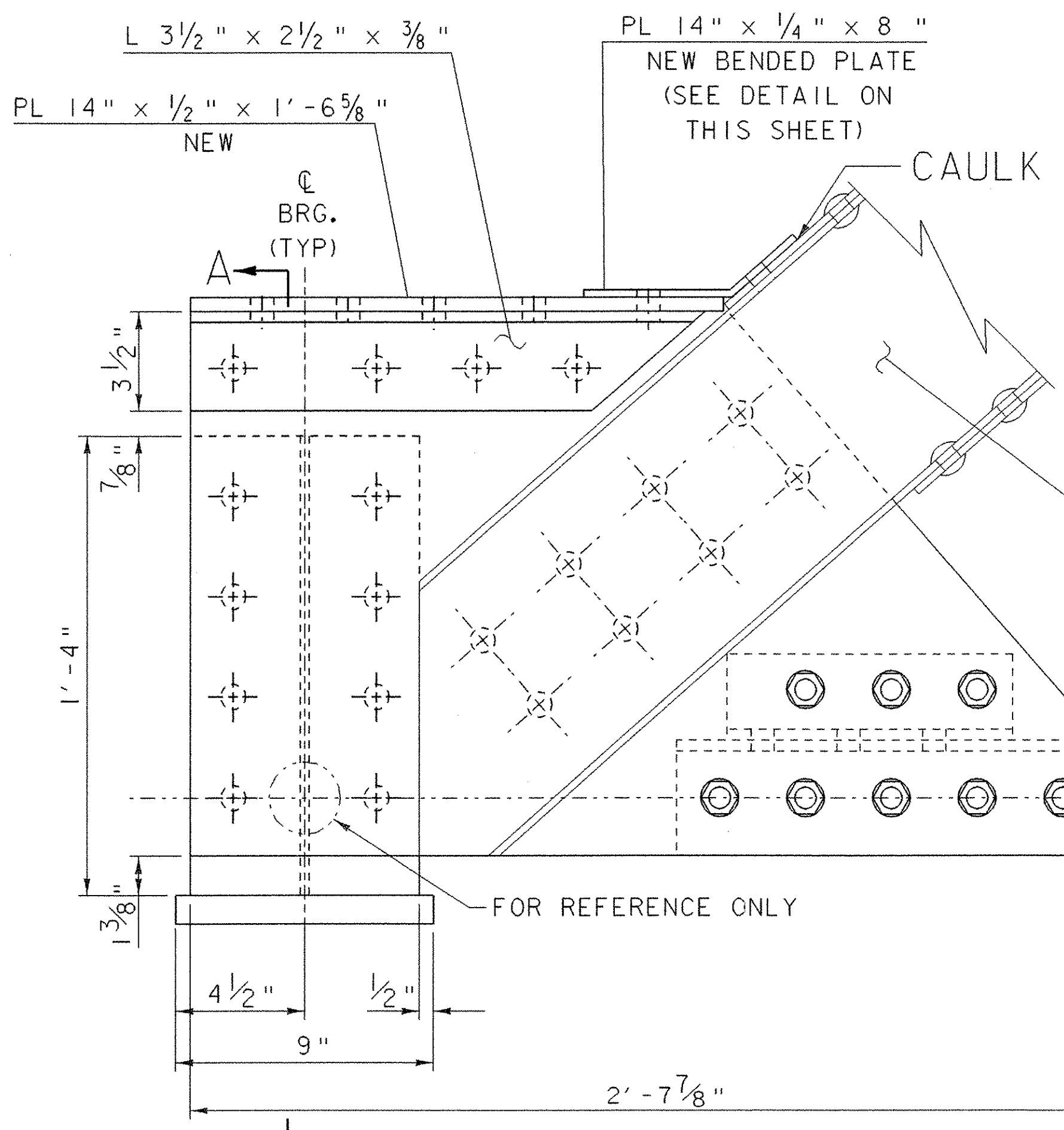


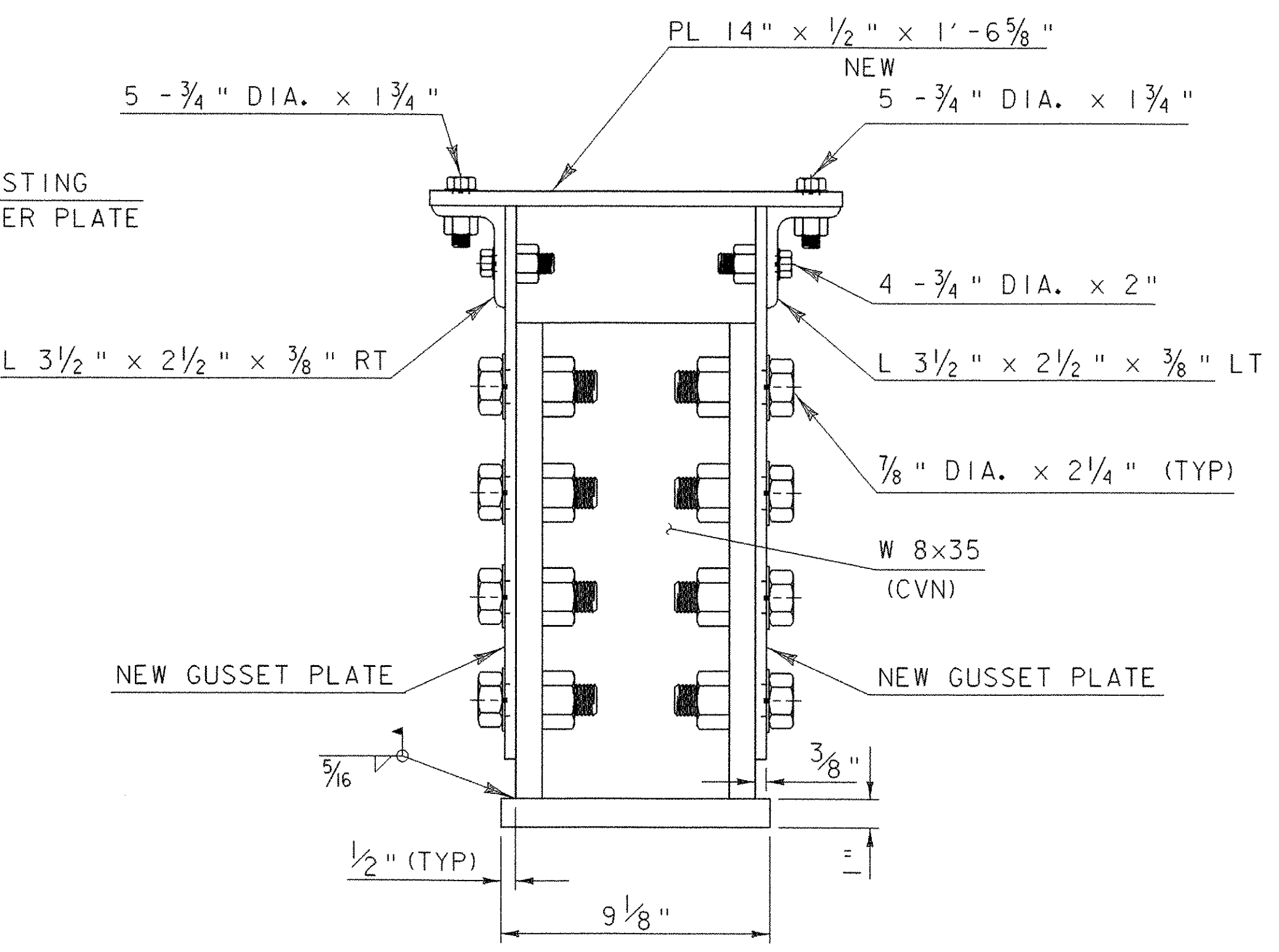
END TRUSS DETAIL-PLAN VIEW

SCALE 3" = 1'-0"



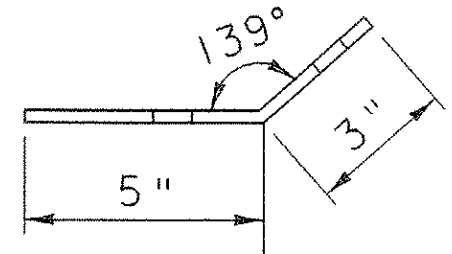
END TRUSS DETAIL-ELEVATION VIEW

SCALE 3" = 1'-0"



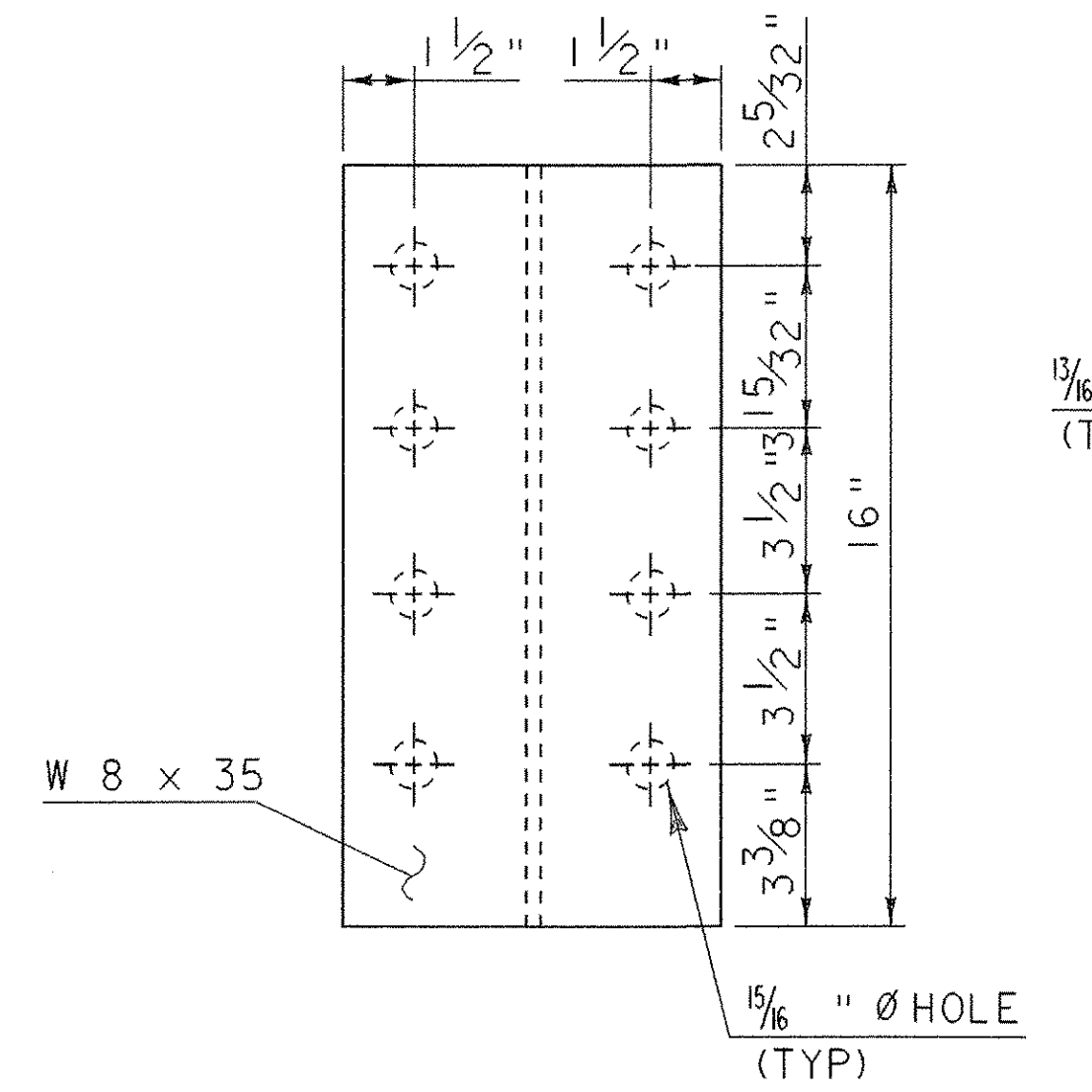
SECTION A-A - HOLE PATTERN

SCALE 3" = 1'-0"



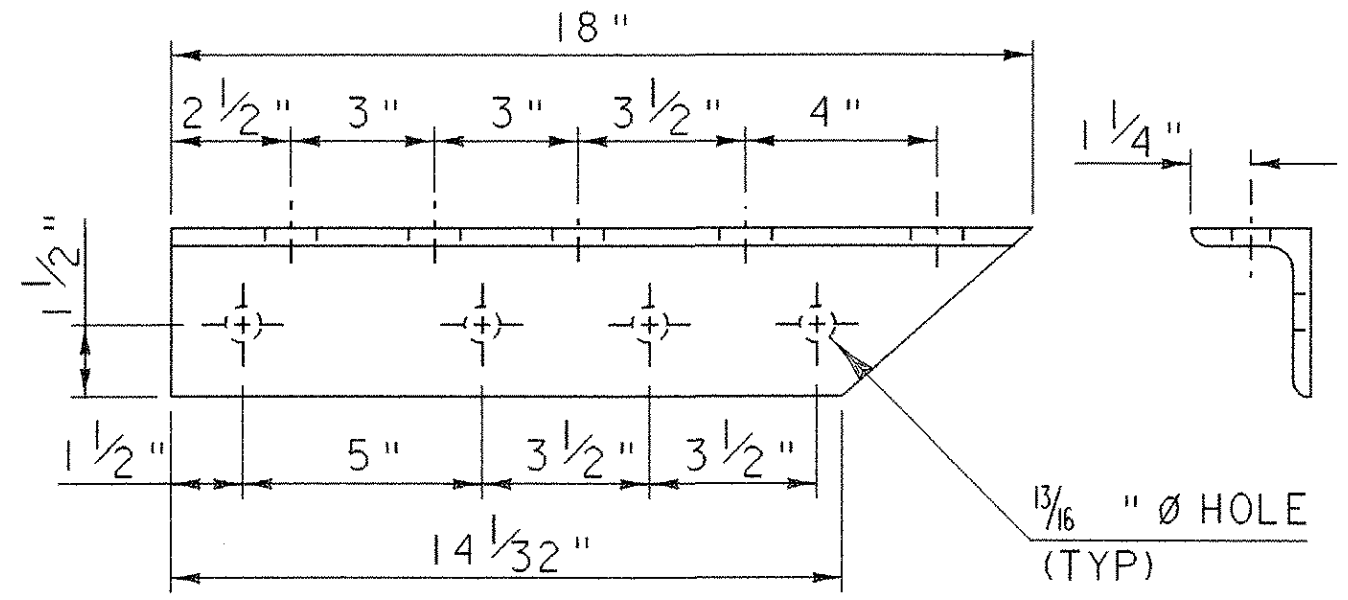
NEW BENDED PLATE

SCALE 3" = 1'-0"



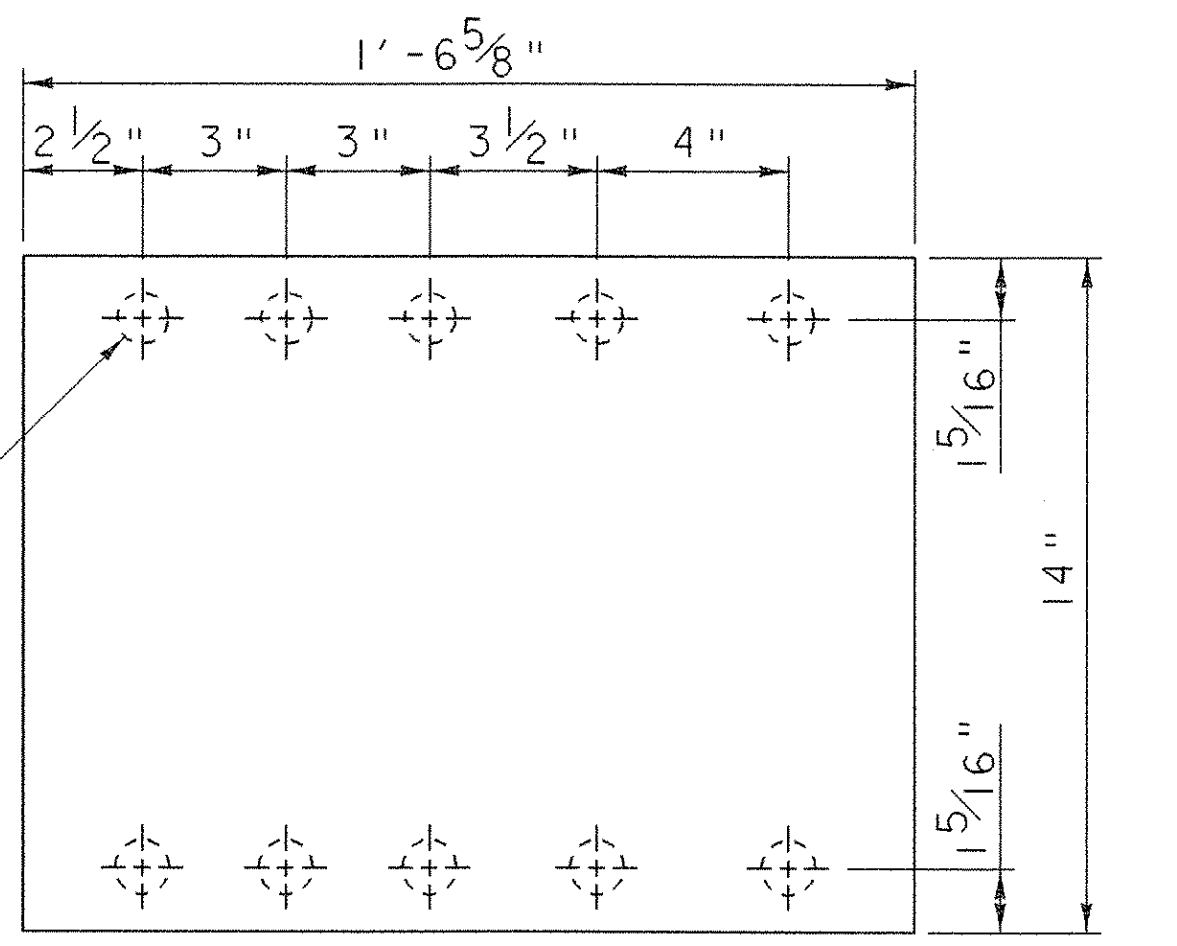
W8 x 35 - SIDE VIEW

SCALE 3" = 1'-0"



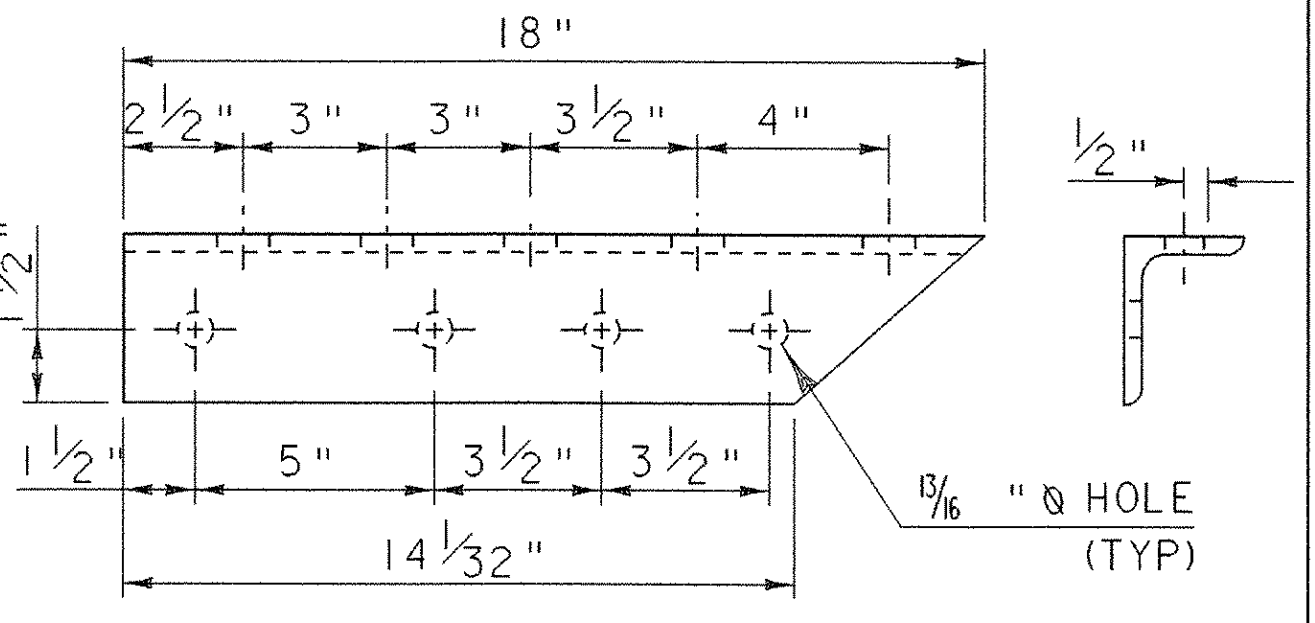
L 3 1/2" x 2 1/2" x 3/8" RT HOLE PATTERN

SCALE 3" = 1'-0"



COVER PLATE - HOLE PATTERN

SCALE 3" = 1'-0"

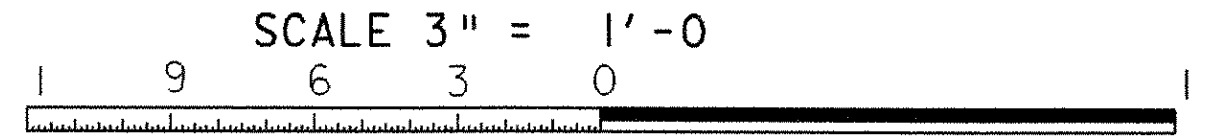


L 3 1/2" x 2 1/2" x 3/8" LT HOLE PATTERN

SCALE 3" = 1'-0"

NOTE:

1. PAYMENT FOR THE CLIPPING OF EXISTING C9x13.4 AND TOP PLATE SHALL BE PAID FOR UNDER ITEM 529.20 "PARTIAL REMOVAL OF STRUCTURE".
2. ALL GUSSET PLATES, ANGLES, COVER PLATES, WASHERS AND BOLTS NECESSARY TO CONSTRUCT NEW END OF THE TRUSS SHALL BE PAID FOR UNDER ITEM 506.60 "STRUCTURAL STEEL".
3. NEW W8x35 SHALL BE PAID FOR UNDER 506.50 "STRUCTURAL STEEL" (ROLLED BEAM).
4. ALL BOLTS HSB, M-164 TYPE 1, GALVANIZED COMPLETE WITH 1 NUT AND 1 WASHER ON TURNED SIDE.



PROJECT NAME:	BRADFORD	FILE NAME:	s96j286endtruss.dgn	PLOT DATE:	22-NOV-2006
PROJECT NUMBER:	STP 1447(28)	PROJECT LEADER:	C.P.WILLIAMS	DRAWN BY:	D.D. BEARD
		DESIGNED BY:	M. GAGULIC	CHECKED BY:	R.S. YOUNG
		TRUSS END DETAILS		SHEET	21 OF 63

NEW GUSSET PLATE (2 REQ. PER EACH CORNER) - HOLE PATTERN

SCALE 3" = 1'-0"