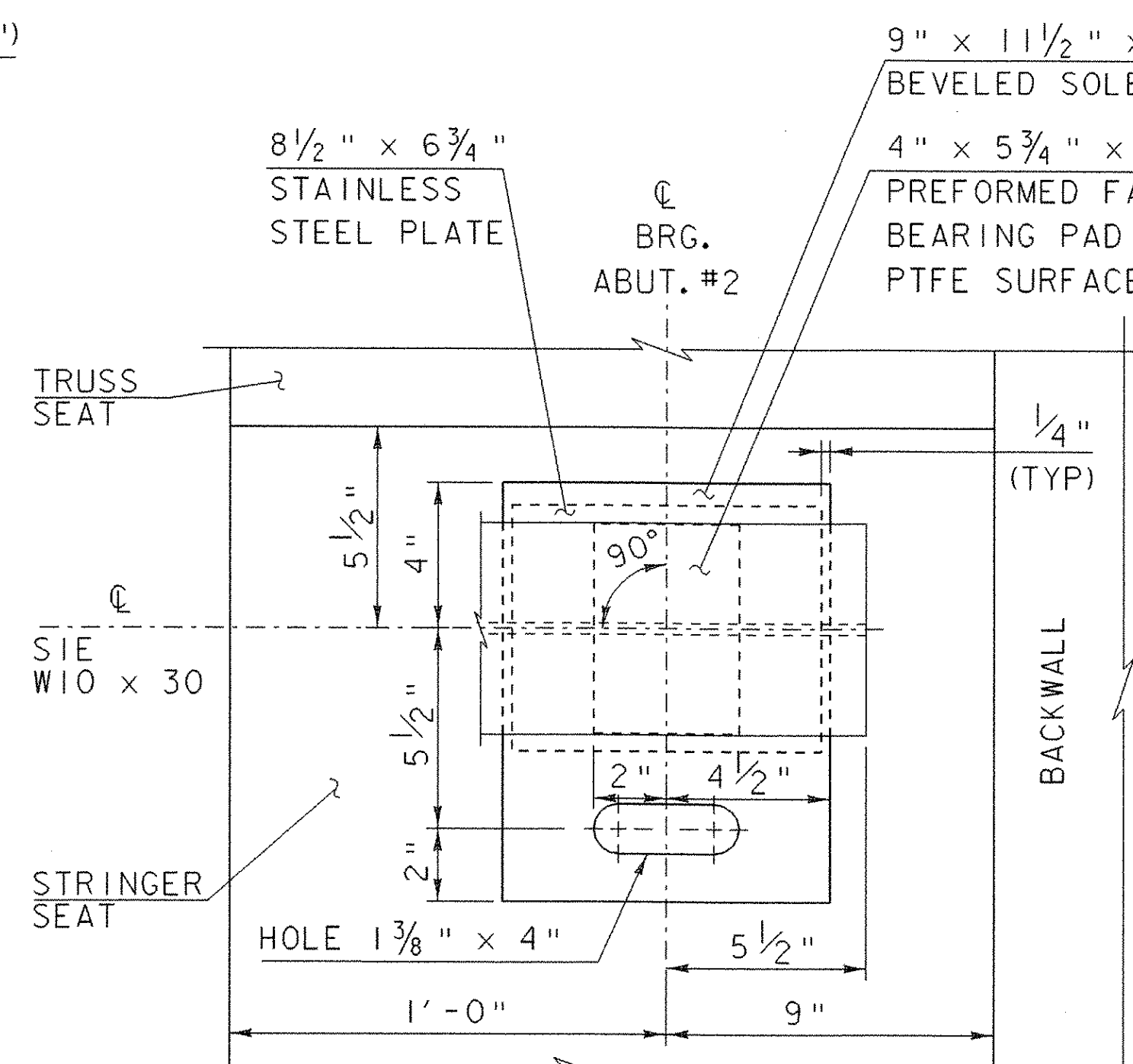
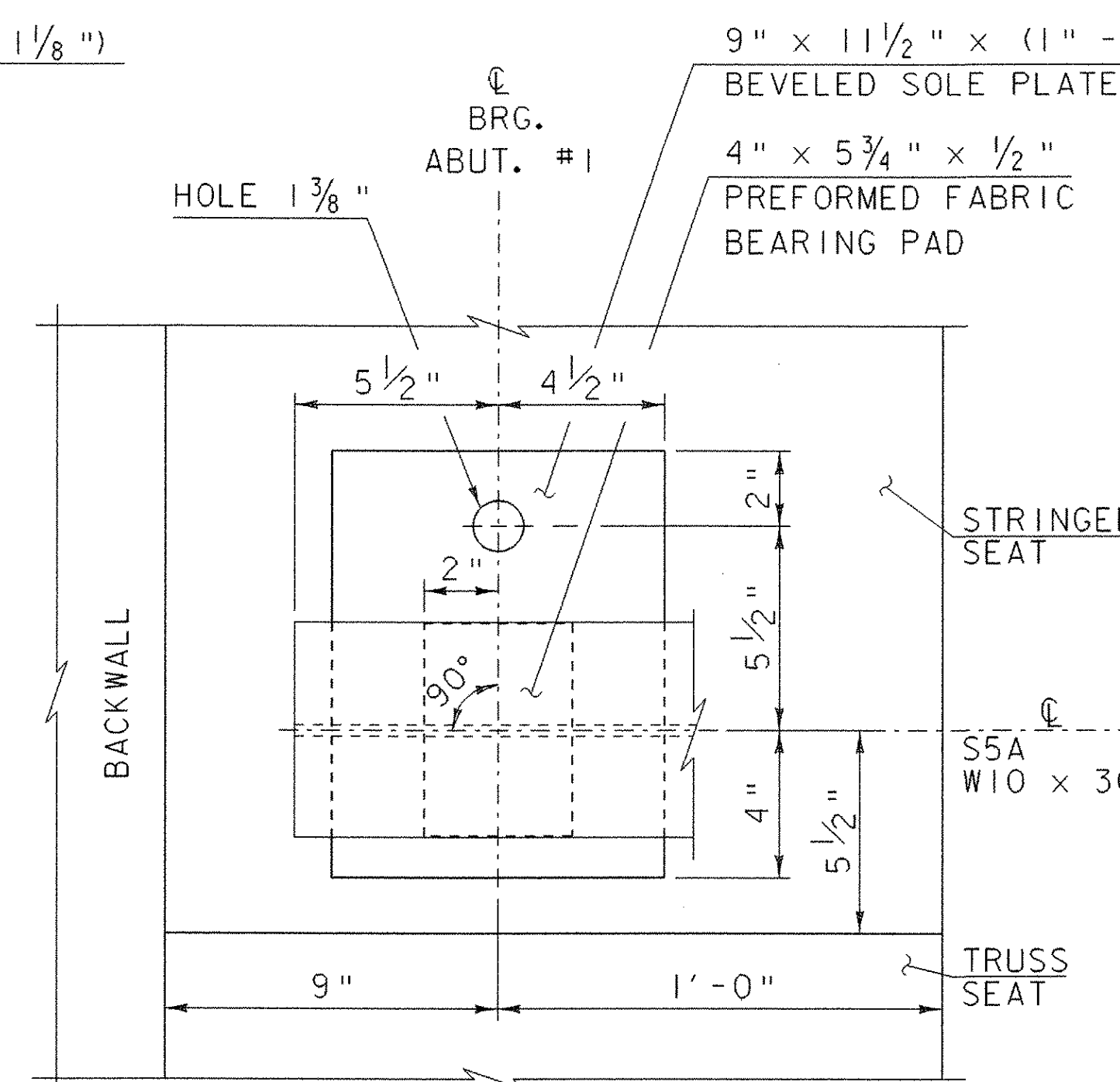


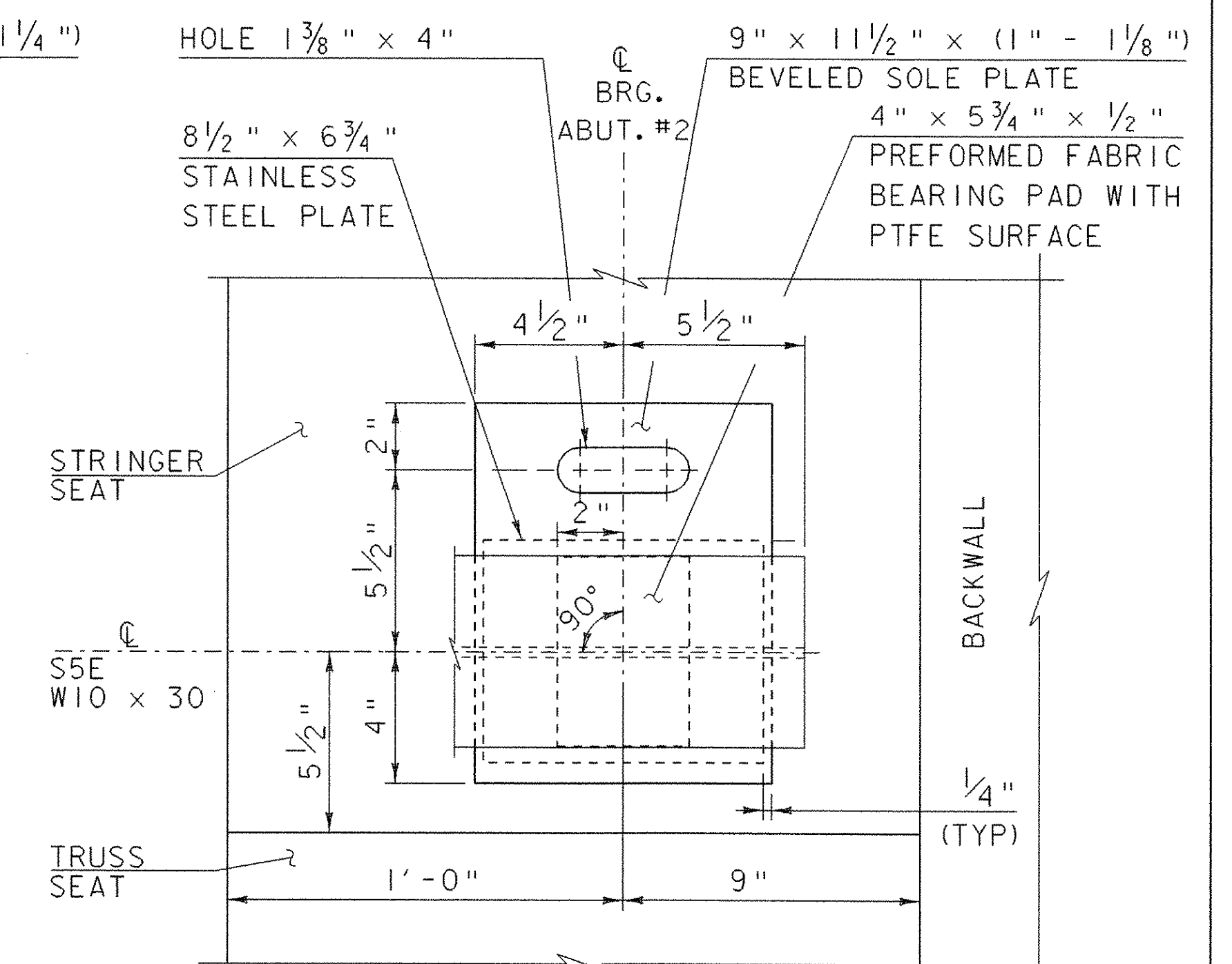
ABUT. #1 - PLAN VIEW
STRINGER - SIA
SCALE 3" = 1'-0



ABUT. #2 - PLAN VIEW
STRINGER - SIE
SCALE 3" = 1'-0

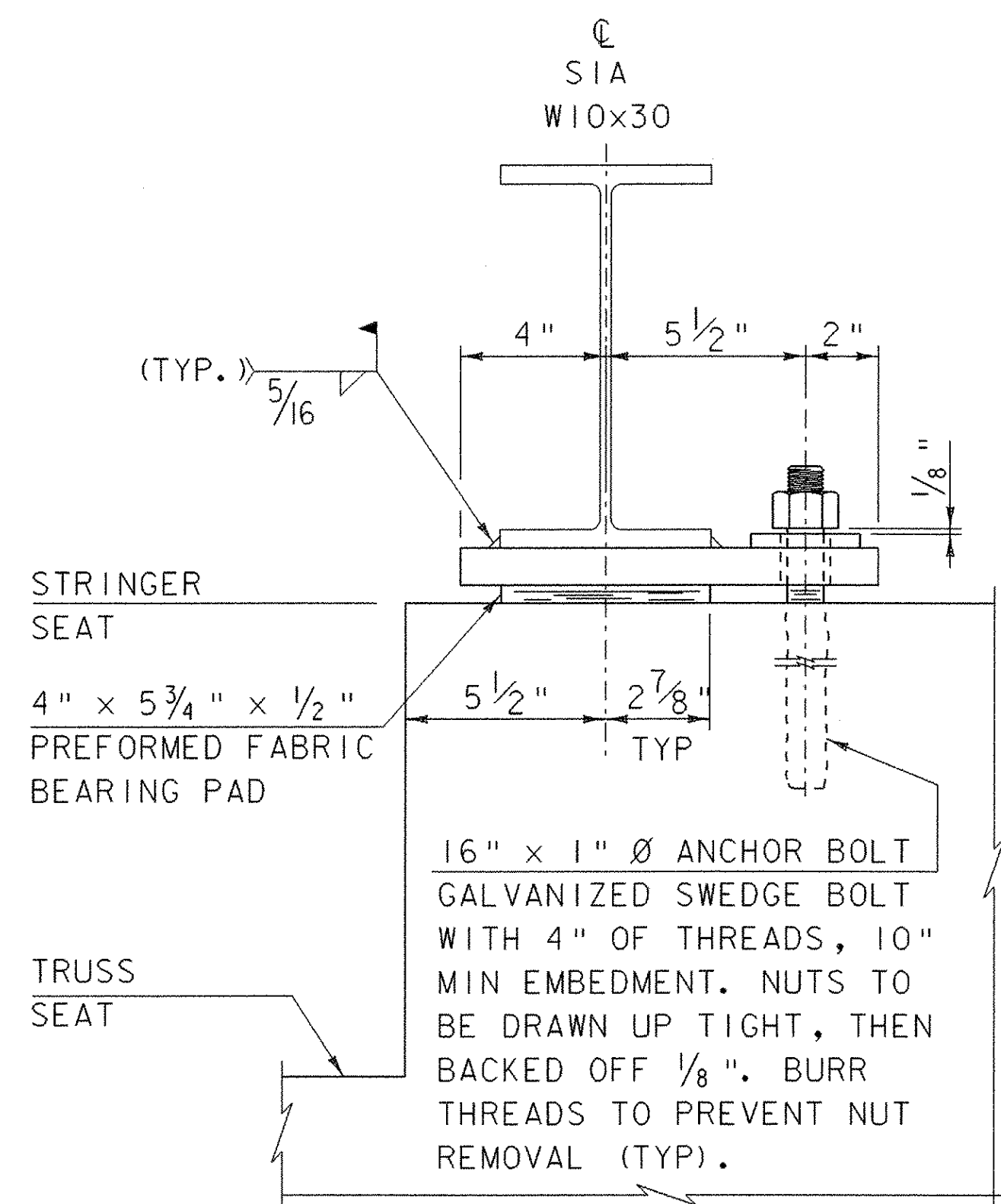


ABUT. #1 - PLAN VIEW
STRINGER - S5A
SCALE 3" = 1'-0

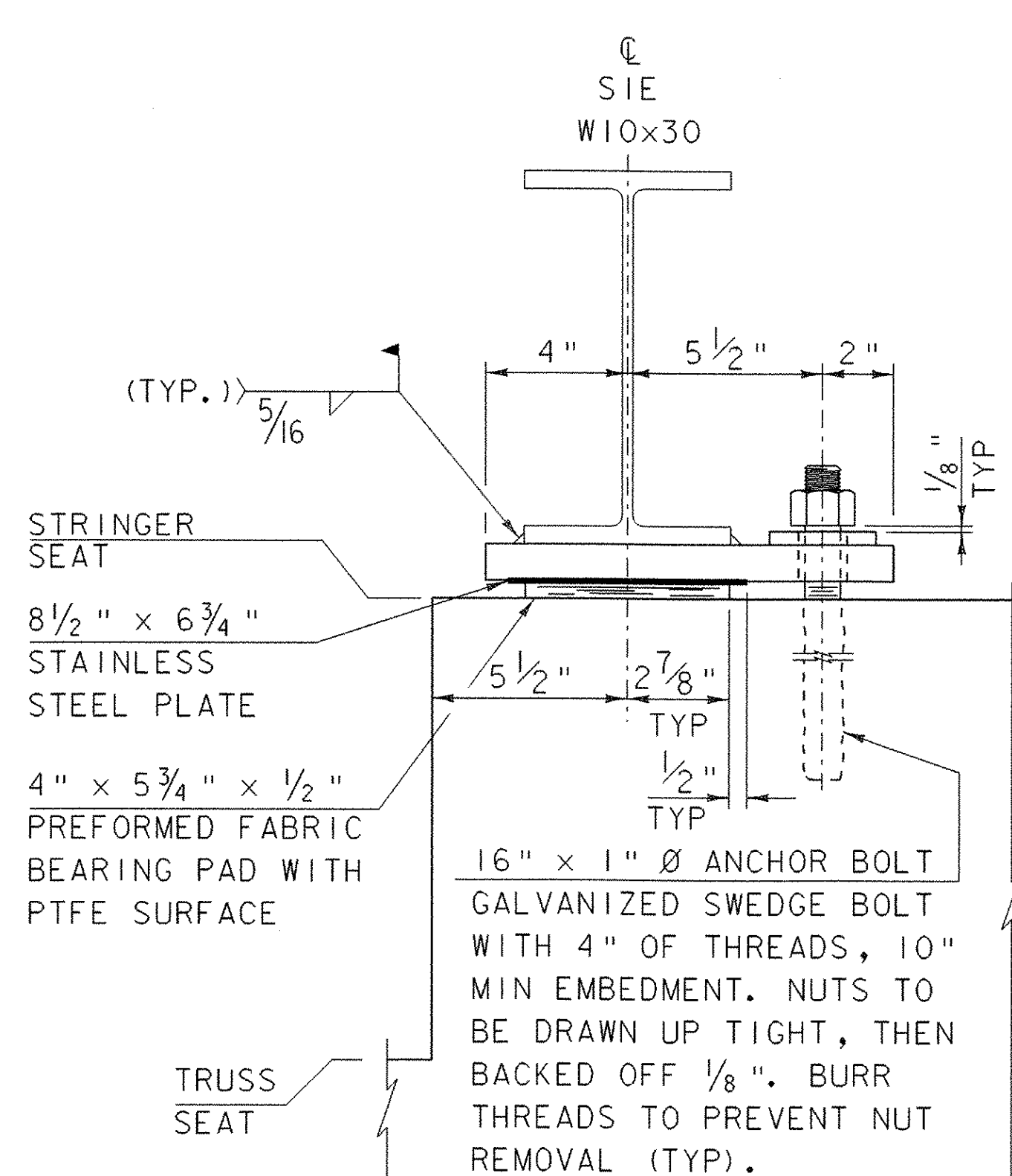


ABUT. #2 - PLAN VIEW
STRINGER - S5E
SCALE 3" = 1'-0

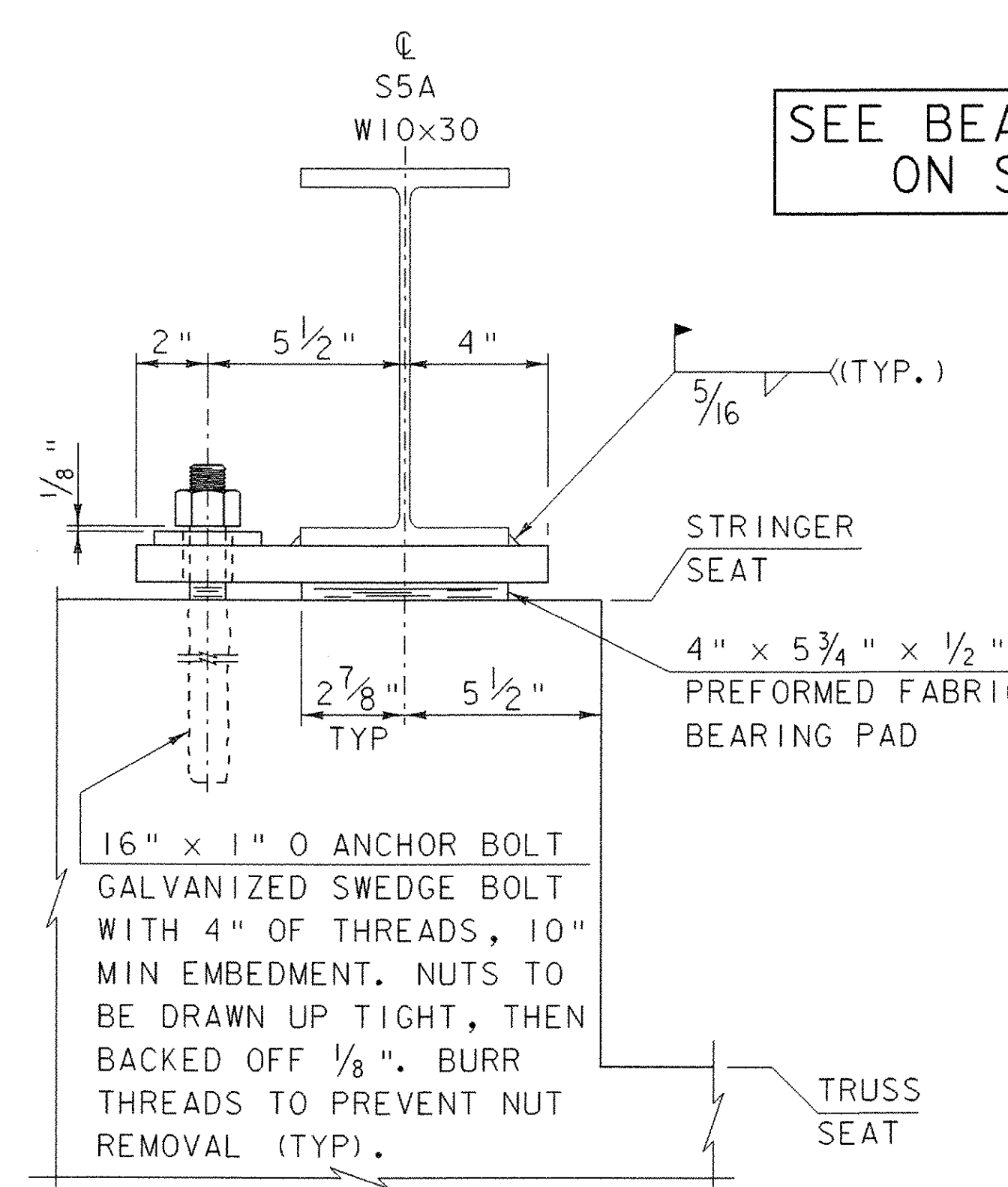
SEE BEARING NOTES
ON SHEET 18



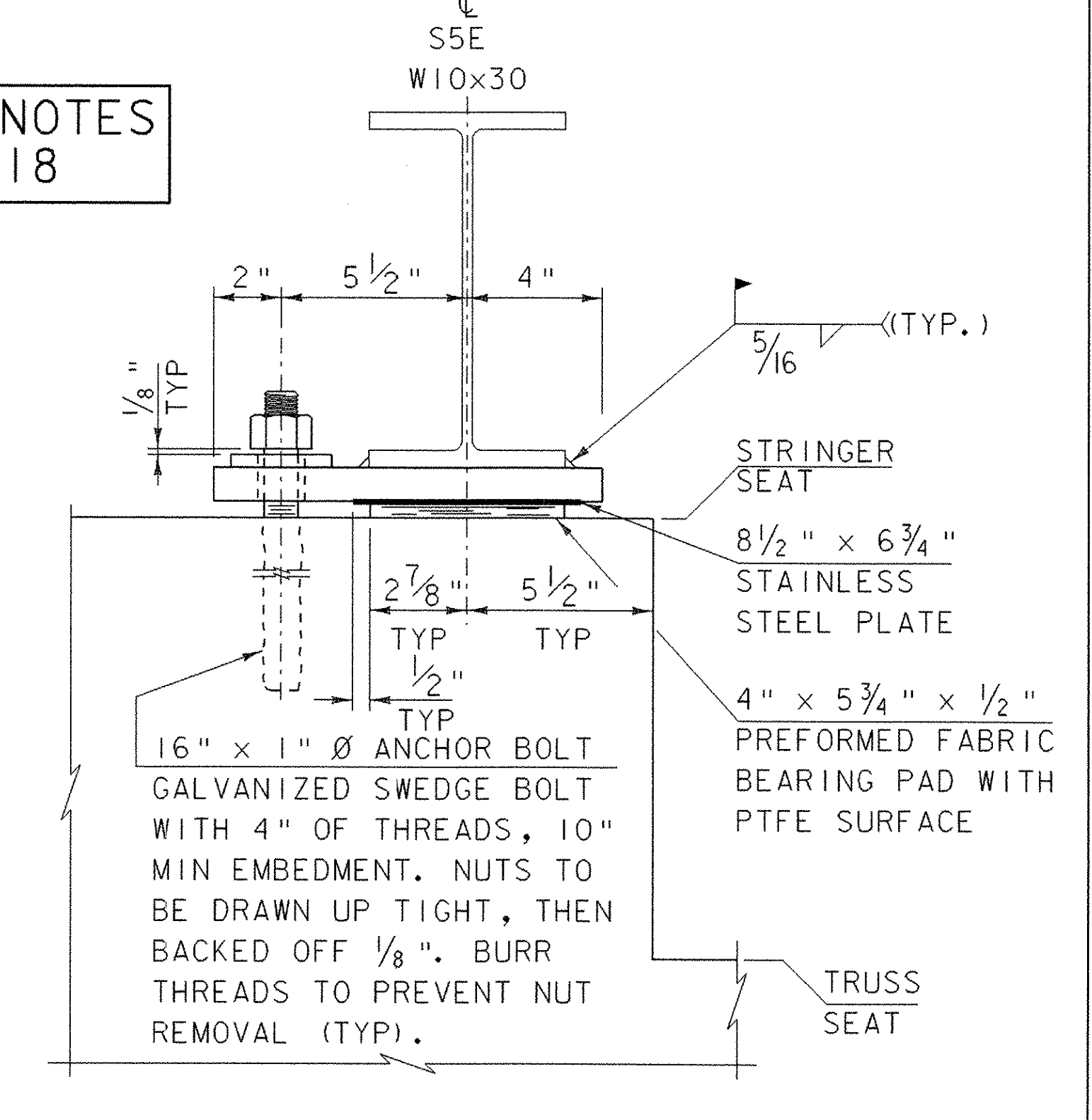
ABUT. #1 - FRONT VIEW
STRINGER - SIA
SCALE 3" = 1'-0



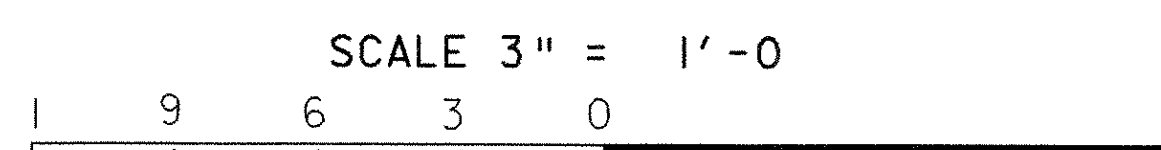
ABUT. #2 - FRONT VIEW
STRINGER - SIE
SCALE 3" = 1'-0



ABUT. #1 - FRONT VIEW
STRINGER - S5A
SCALE 3" = 1'-0



ABUT. #2 - FRONT VIEW
STRINGER - S5E
SCALE 3" = 1'-0



BEARING DETAILS

PROJECT NAME: BRADFORD	PLOT DATE: 22-NOV-2006
PROJECT NUMBER: STP 1447(28)	DRAWN BY: D.D. BEARD
FILE NAME: Structures\s96j286brg.dgn	CHECKED BY: R.S. YOUNG
PROJECT LEADER: C.P. WILLIAMS	SHEET 20 OF 63
DESIGNED BY: M. GAGULIC	
STRINGERS 1 AND 5 BEARINGS	