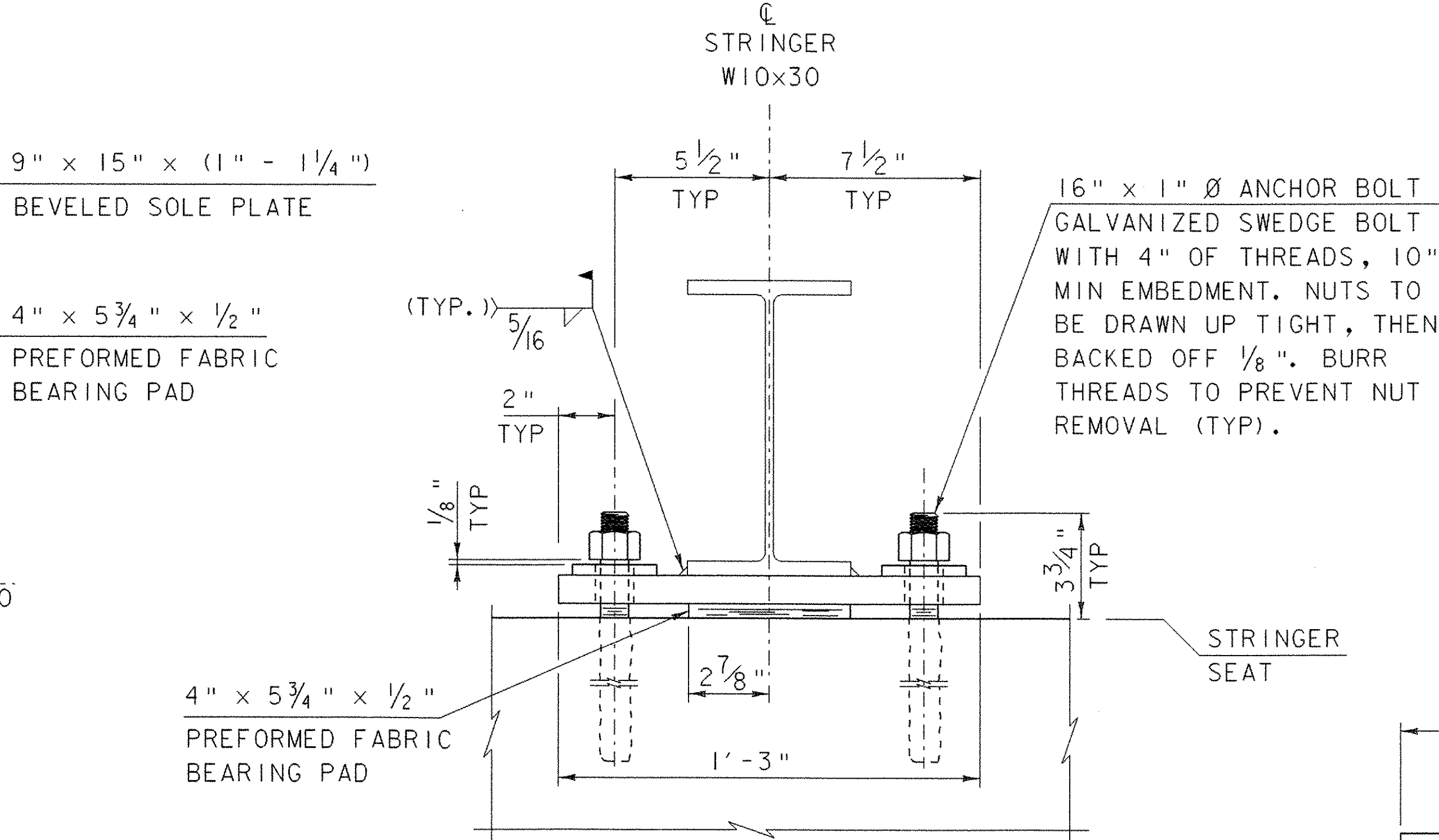
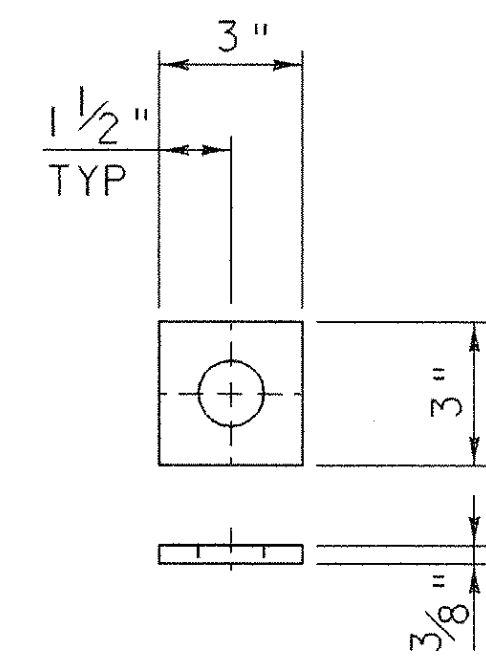


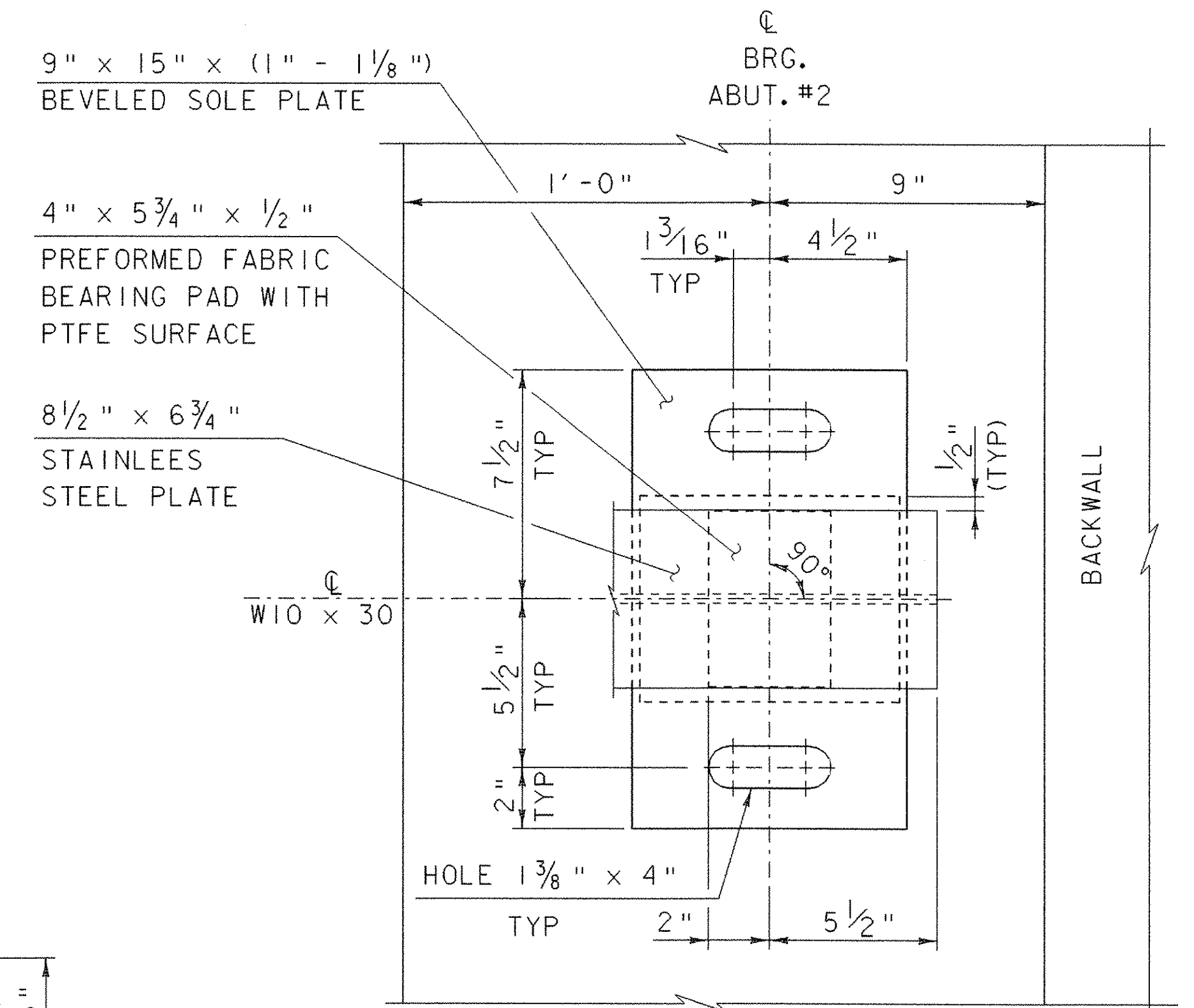
ABUT #1 - PLAN VIEW  
STRINGERS: S2A, S3A, AND S4A  
(FIXED BEARING)  
SCALE 3" = 1'-0"



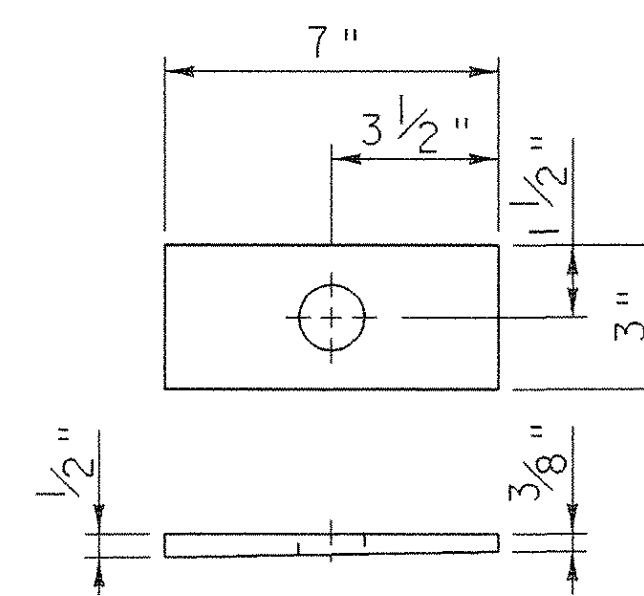
ABUT. #1 - FRONT VIEW  
STRINGERS: S2A, S3A, AND S4A  
(FIXED BEARING)  
SCALE 3" = 1'-0"



ABUT #1 WASHER  
SCALE 3" = 1'-0"

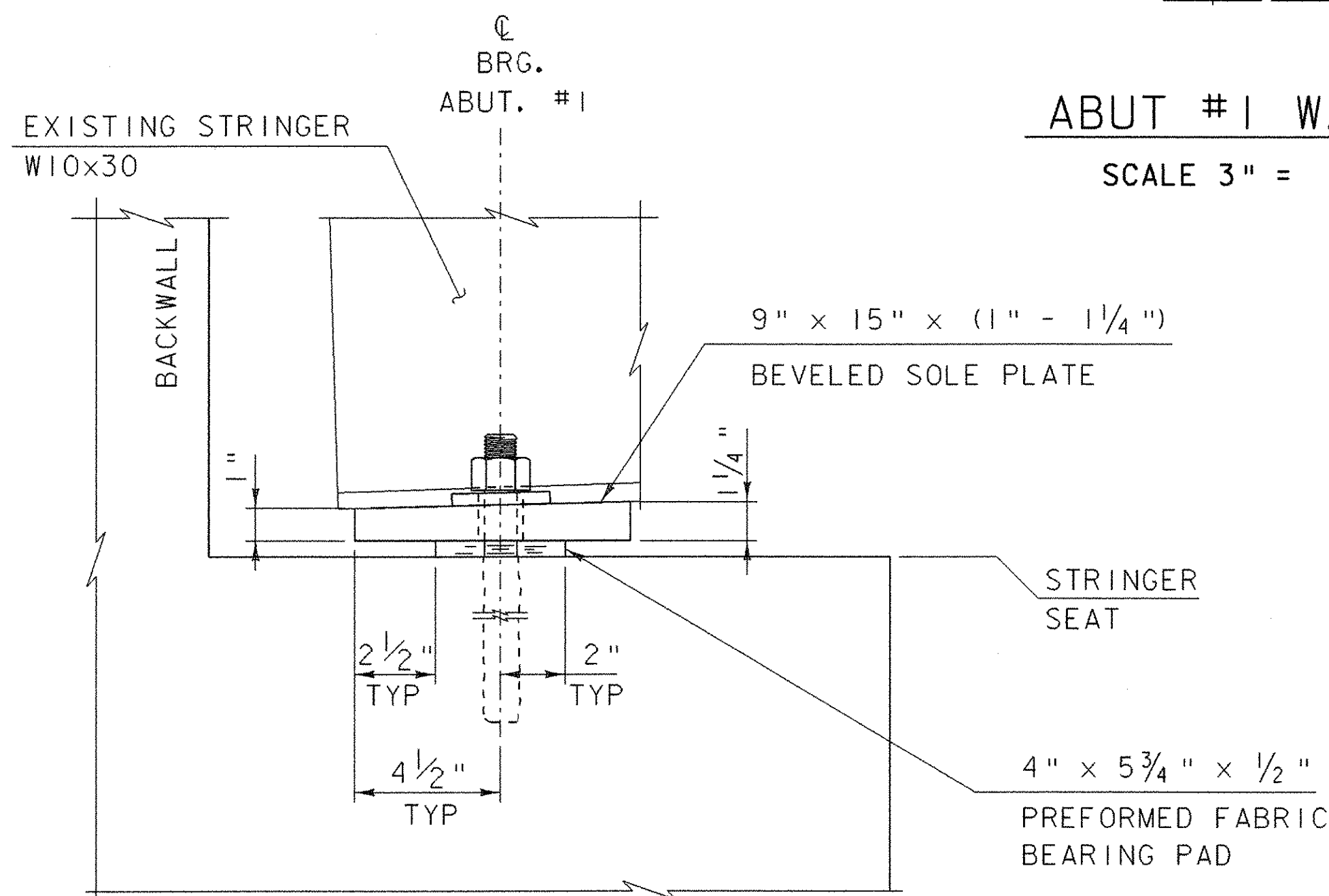


ABUT. #2 - PLAN VIEW  
STRINGERS: S2A, S3A, AND S4A  
(EXPANSION BEARING)  
SCALE 3" = 1'-0"

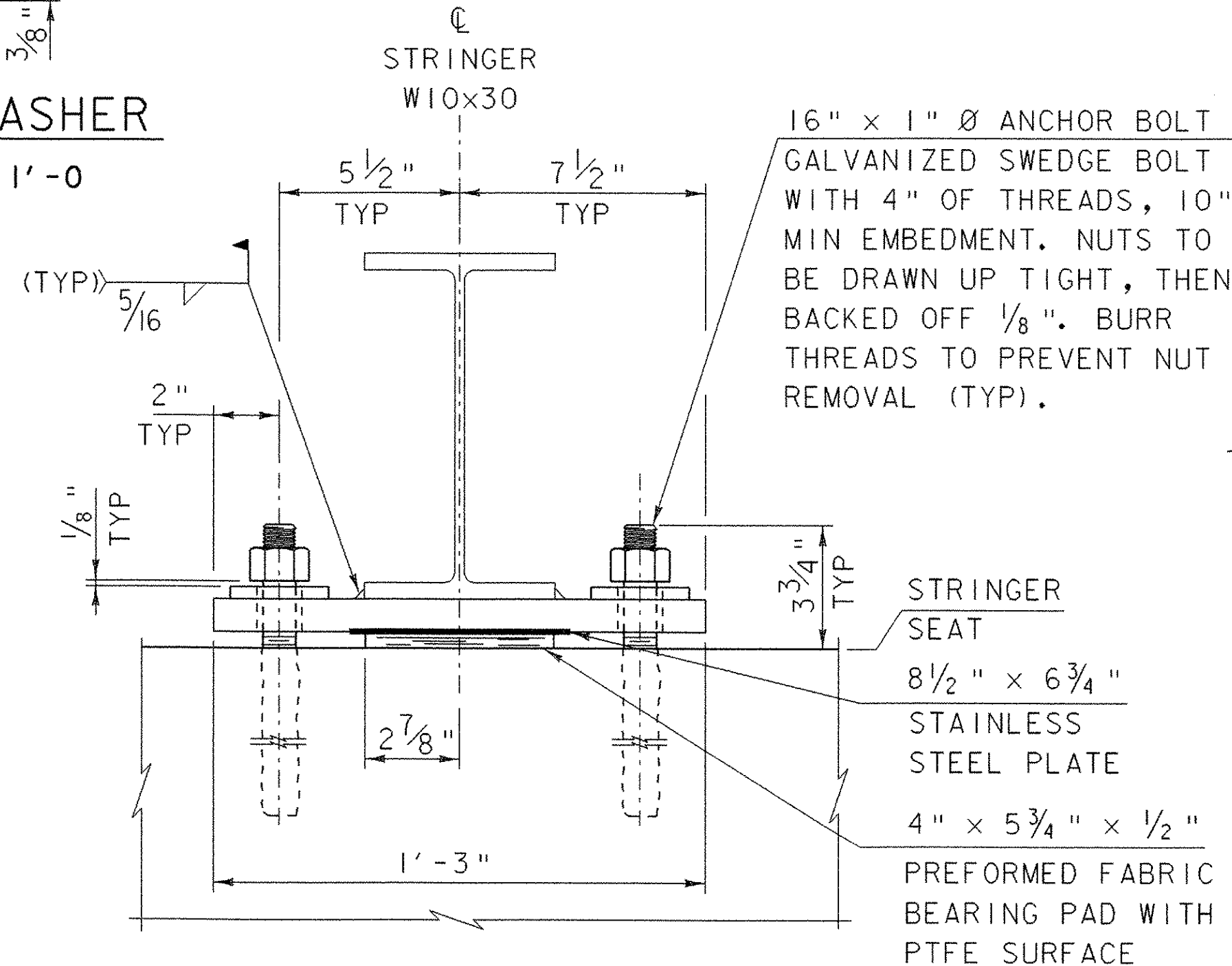


ABUT #2 WASHER  
SCALE 3" = 1'-0"

SEE BEARING NOTES  
ON SHEET 18



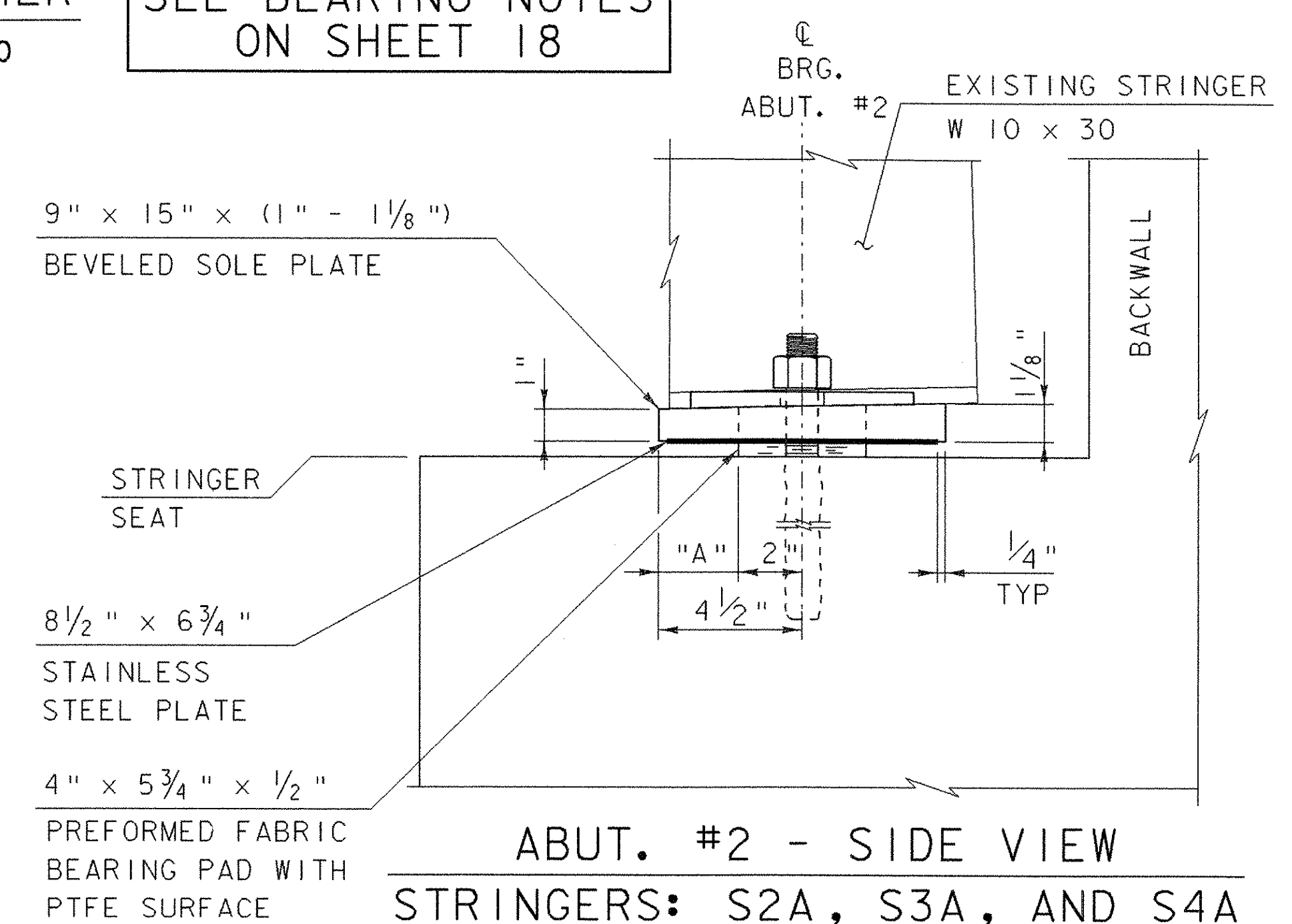
ABUT. #1 - SIDE VIEW  
STRINGERS: S2A, S3A, AND S4A  
(FIXED BEARING)  
SCALE 3" = 1'-0"



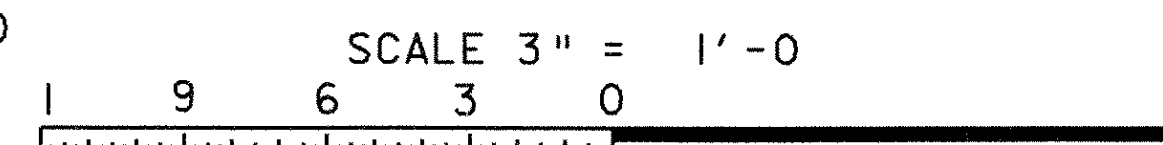
ABUT. #2 - SIDE VIEW  
STRINGERS: S2A, S3A, AND S4A  
(EXPANSION BEARING)  
SCALE 3" = 1'-0"

THERMAL EXPANSION

TEMP	"A" DIST
120°F	1 1/8"
105°F	2"
90°F	2 1/8"
75°F	2 1/4"
60°F	2 3/8"
45°F	2 1/2"
30°F	2 5/8"
15°F	2 3/4"
0°F	2 7/8"
-15°F	3"
-30°F	3 1/8"



ABUT. #2 - SIDE VIEW  
STRINGERS: S2A, S3A, AND S4A  
(EXPANSION BEARING)  
SCALE 3" = 1'-0"



BEARING DETAILS

PROJECT NAME: BRADFORD	PLOT DATE: 22-NOV-2006
PROJECT NUMBER: STP 1447(28)	DRAWN BY: D.D. BEARD
FILE NAME: s96j286brg.dgn	CHECKED BY: R.S. YOUNG
PROJECT LEADER: C.P. WILLIAMS	SHEET 19 OF 63
DESIGNED BY: M. GAGULIC	
STRINGERS 2, 3, AND 4 BEARINGS	