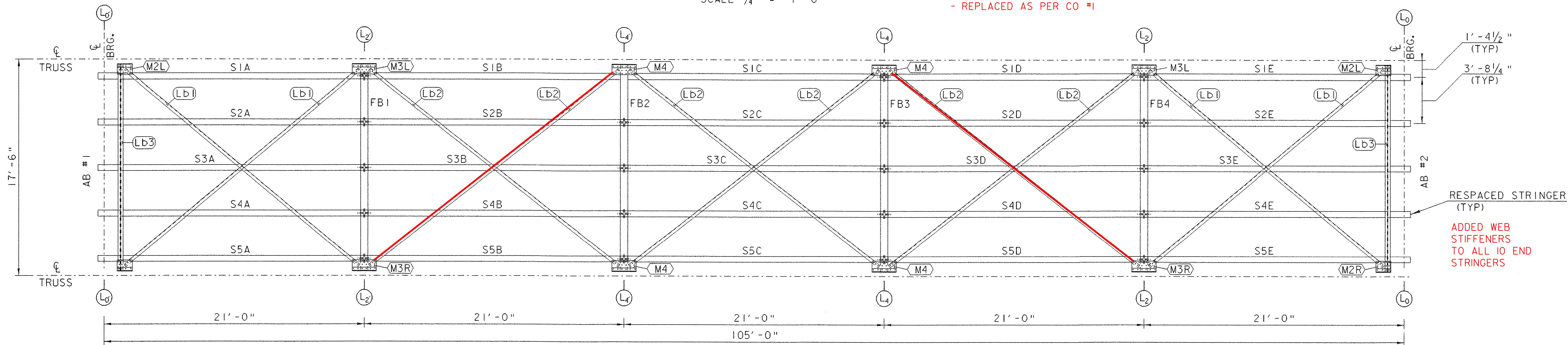


EXISTING FLOOR PLAN

SCALE 1/4" = 1'-0"

- REPLACED AS PER CO #1



PROPOSED FLOOR PLAN

SCALE 1/4" = 1'-0"

FLOOR MEMBER DESCRIPTIONS

FLOOR MEMBER	SYMBOL	DESCRIPTION
STRINGER BEAM	S1A-S5A AND S1E-S5E	ONE (1) W10 x 30 x 21'-5"
STRINGER BEAM	S1B-S5B; S1C-S5C; S1D-S5D	ONE (1) W10 x 30 x 20'-9 3/4"
FLOOR BEAM	FB#1 - FB#4	ONE (1) W16 x 50 x 16'-8 1/4"
LATERAL BRACING	(Lb1)	ONE (1) L3 x 2 1/2 x 3/16 x 24'-8 1/4"
LATERAL BRACING	(Lb2)	ONE (1) L3 x 2 1/2 x 3/16 x 25'-7 7/8"
LATERAL BRACING	(Lb3)	TWO (2) L2 1/2 x 2 1/2 x 3/16 x 16'-8 1/4"
GUSSET PLATE-HORIZONTAL	(M2L)	ONE (1) 10 1/2" x 3/16" x 1'-2 1/2" PLATE
GUSSET PLATE-HORIZONTAL	(M2R)	ONE (1) 10 1/2" x 3/16" x 1'-2 1/2" PLATE
GUSSET PLATE-HORIZONTAL	(M3L)	ONE (1) 10 1/2" x 3/16" x 1'-11 1/2" PLATE
GUSSET PLATE-HORIZONTAL	(M3R)	ONE (1) 10 1/2" x 3/16" x 1'-11 1/2" PLATE
GUSSET PLATE-HORIZONTAL	(M4)	ONE (1) 10 1/2" x 3/16" x 2'-1" PLATE

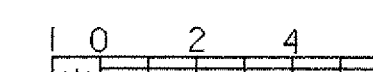
NOTE:

- THE BEST FIVE STRINGERS PER BAY WILL BE RECHECKED AND RESPACED AS SHOWN ON THE PLANS. REMAINING TWO STRINGERS (PER BAY) WILL BE HANDLED AS DESCRIBED IN NOTE 26 ON SHEET 15.

LEGEND

- FLOOR MEMBER TO BE REPLACED
- LATERAL BRACING
- TRUSS NODE
- GUSSET PLATE

SCALE 1/4" = 1'-0"



PROJECT: BRADFORD	PROJECT NO.: STP 1447 (28)
DESIGN FILE NAME: 96j286/structures/s96j286truss.dgn	PLOT DATE: 22-NOV-2006
IPARM FILE NAME: s96j286truss2.i	DESIGNED BY: M. GAGULIC
SQUAD LEADER: C.P. WILLIAMS	DRAWN BY: M. GAGULIC
TRUSS FLOOR PLAN	CHECKED BY: R. S. YOUNG
	SHEET: 17 OF 63