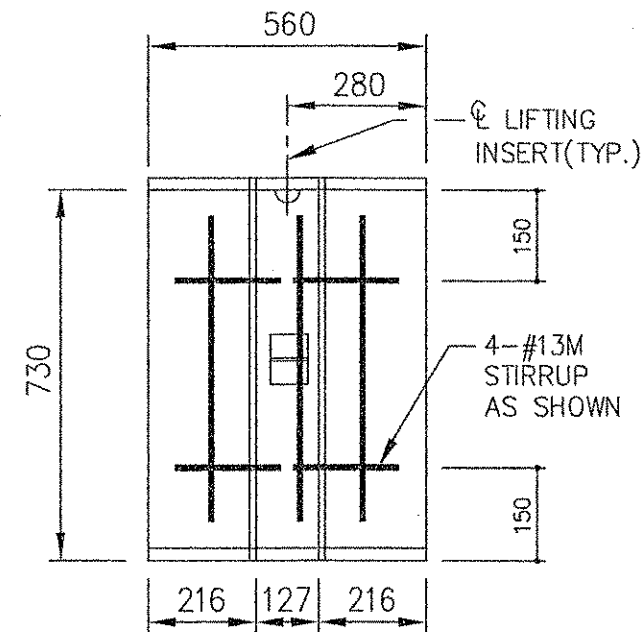
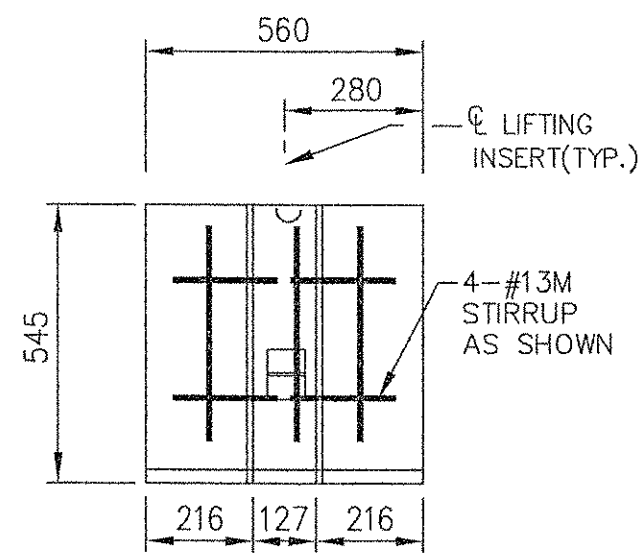


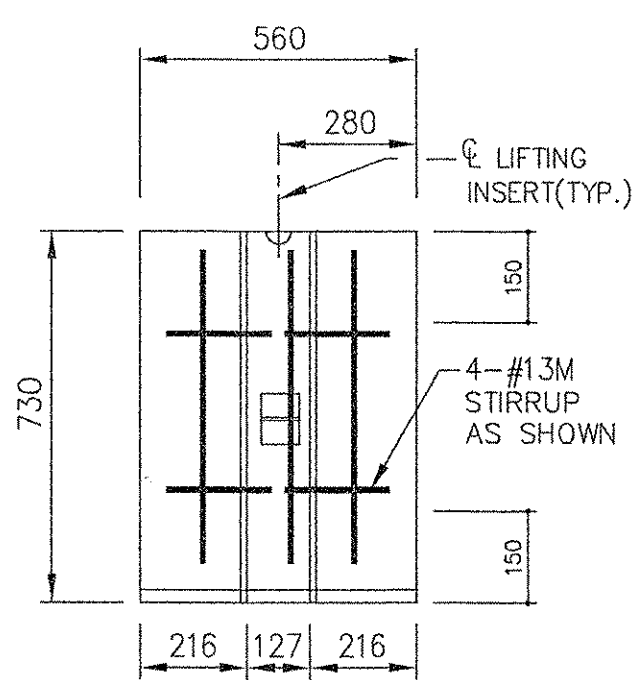
JA-2



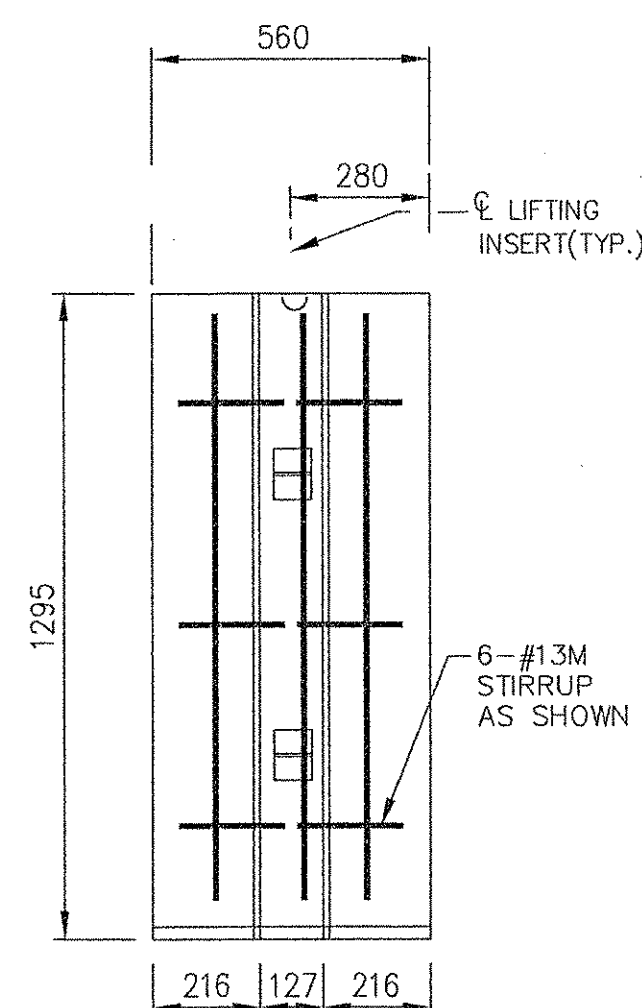
JB-1



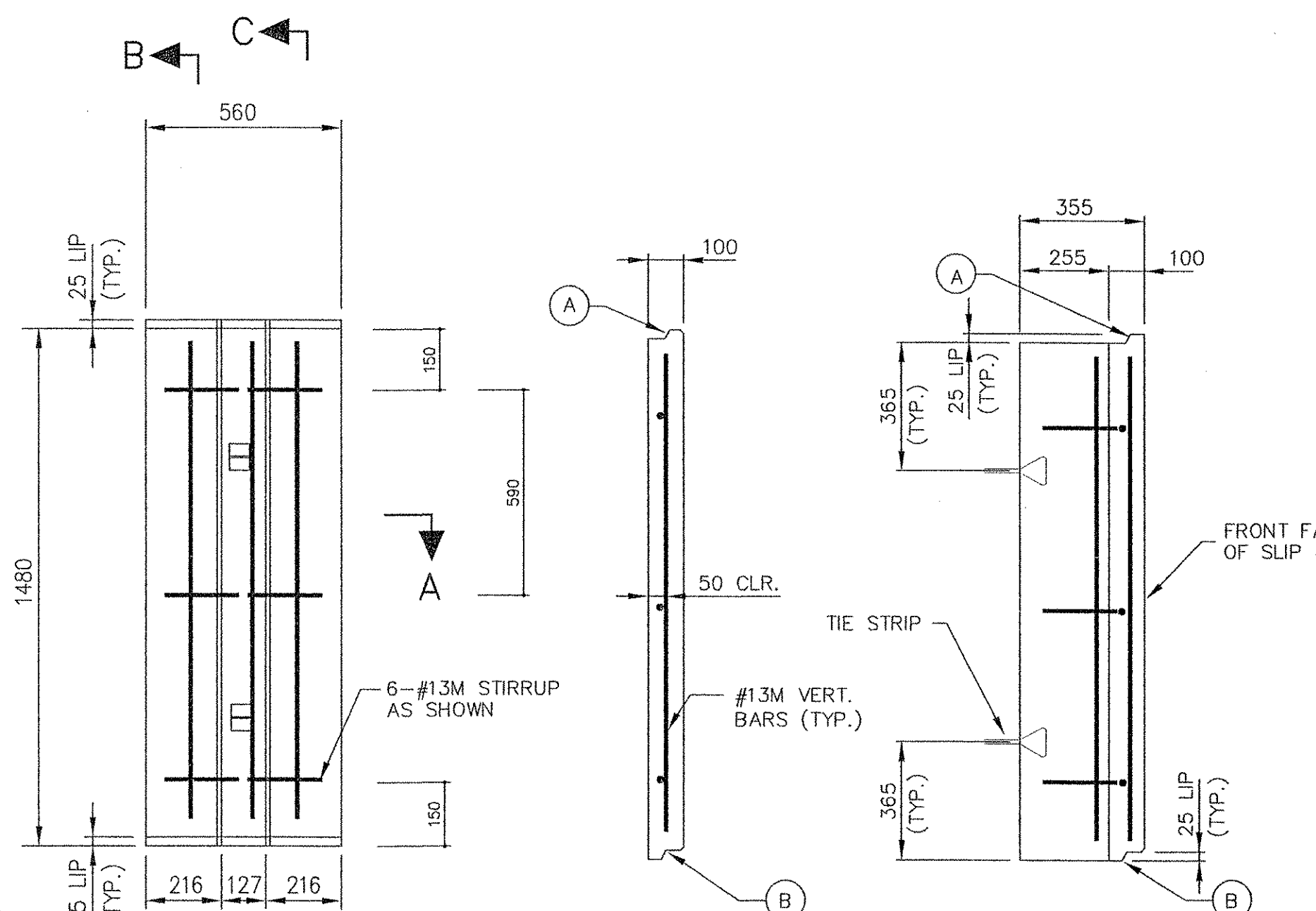
JC-1



JD-1

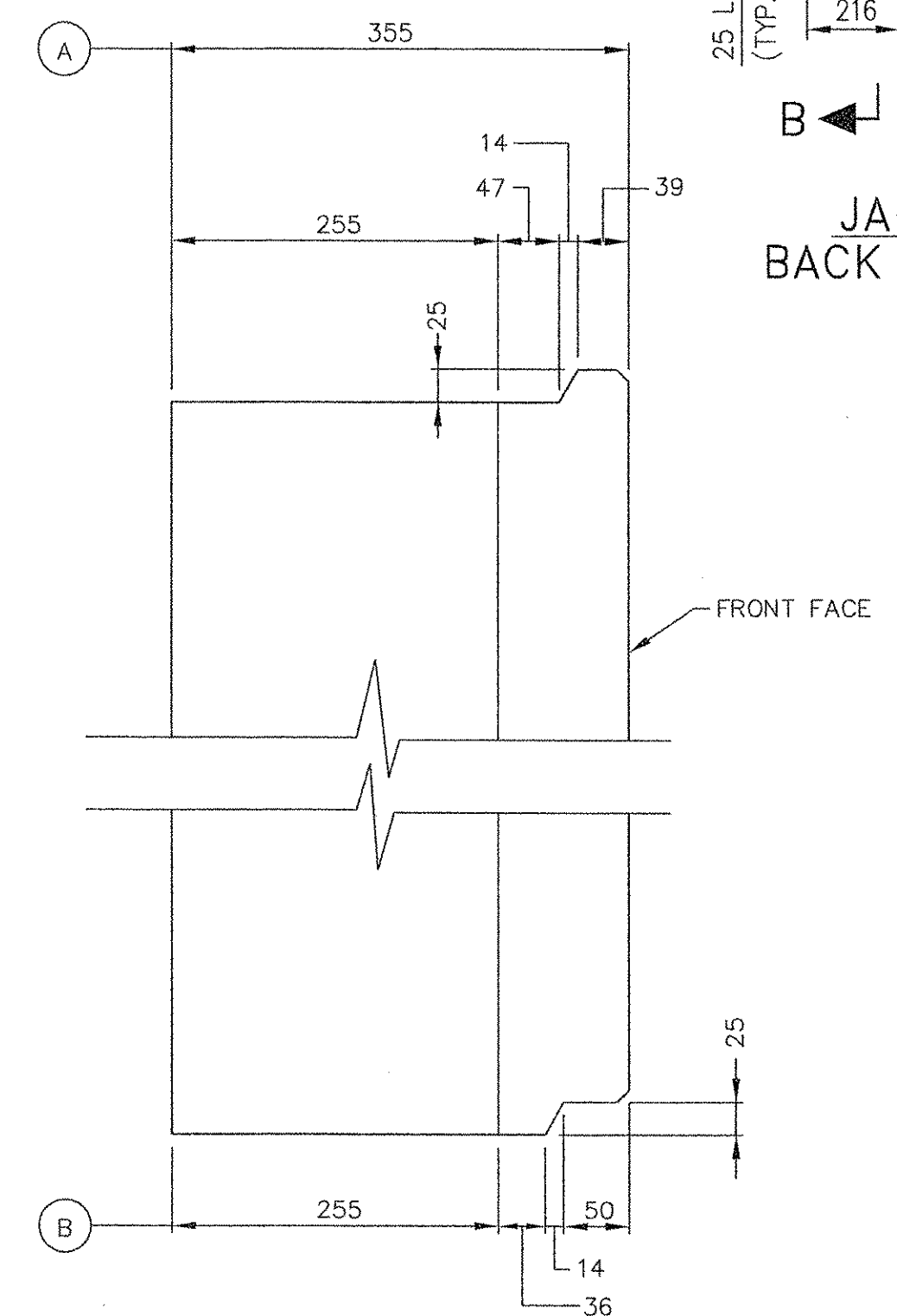


JG-2



SECTION B-B  
SCALE: 1:10

SECTION C-C  
SCALE: 1:10



SECTION A-A  
SCALE: 1:10

TYPICAL JOINT DETAIL  
SCALE: 1:5

LEGEND  
 JA-2-R3  
 — PANEL REINFORCEMENT TYPE  
 — NO. OF TIE STRIPS  
 — PANEL TYPE

ALL REBAR 13M (#4 ENGLISH) - EPOXY COATED

RECEIVED  
 CK'D BY CPW  
 AUG 11 2004  
 RESUBMIT APPROVED  
 BY CPW DATE 8/13/04

CERTIFIED WITH RESPECT TO THE INTERNAL STABILITY OF REINFORCED EARTH STRUCTURES ONLY  
 STATE OF VERMONT  
 PETER L. ANDERSON  
 PROFESSIONAL ENGINEER  
 8/6/04

VT AOT PROJ. NO. BRO 1446(26)

This drawing contains information proprietary to The Reinforced Earth Company, and is being furnished for the use of VT AOT only in connection with this project, and the information contained herein is not to be transmitted to any other organization unless specifically authorized in writing by The Reinforced Earth Company. The Reinforced Earth Company is exclusive licensee in the United States under patents issued to Henri Vidal, and the furnishing of this drawing does not constitute an expressed or implied license under the Vidal patents.

The design contained on these drawings is based on information provided by the owner. On the basis of this information, The Reinforced Earth Company has designed, and is responsible for the internal stability of the structure only. External stability, including foundation and slope stability, is the responsibility of the owner.

**The Reinforced Earth Company**  
 8614 Westwood Center Drive Suite 1100, Vienna, Virginia 22182 (703) 821-1175  
 "REINFORCED EARTH" is the registered trademark of The Reinforced Earth Company.

DESIGNED BY: KPB	PROJECT ENGR: KPB	CHECKED BY: PLA	ENG. MANAGER	REV.	DATE	DESCRIPTION	DRAWING COVERS	PROJECT NAME STOWE STREET BRIDGE OVER CENTRAL VT RAILROAD	LOCATION WATERBURY VERMONT	OWNER VT AOT	DRAWING NO. S7 OF S7	SCALE AS SHOWN

C:\11069\11069\_507.DWG

077EW