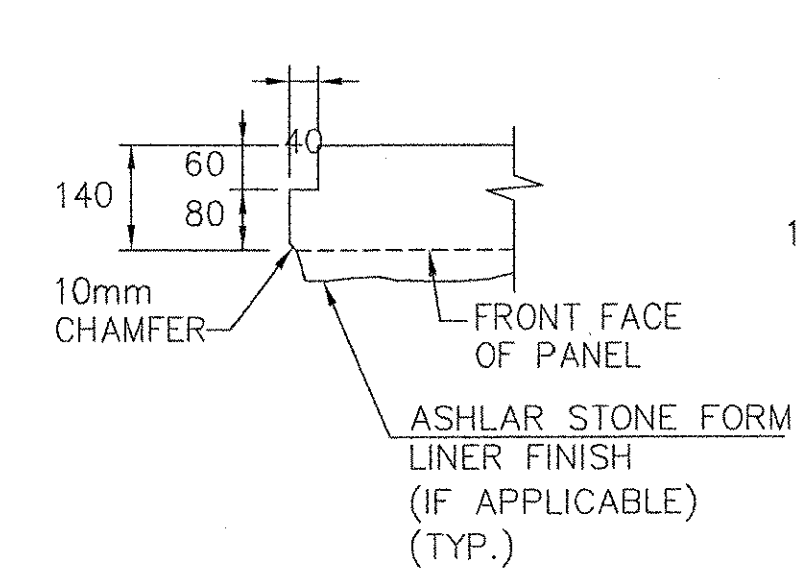
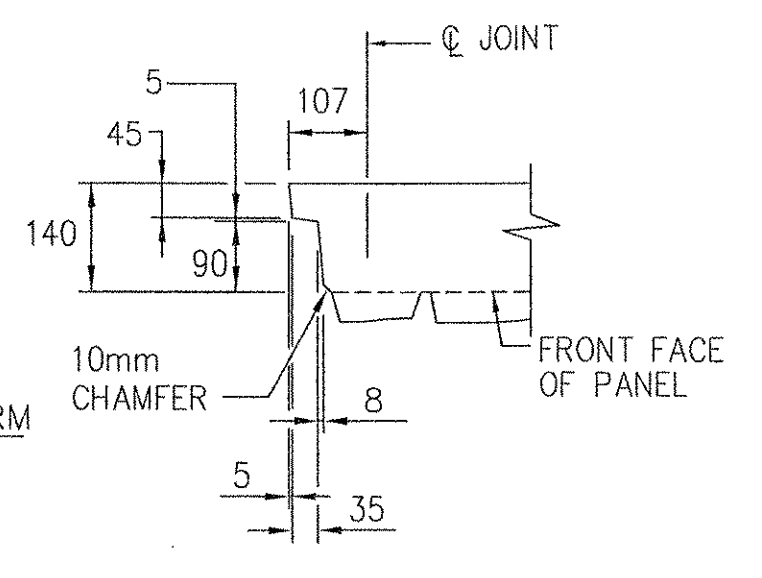


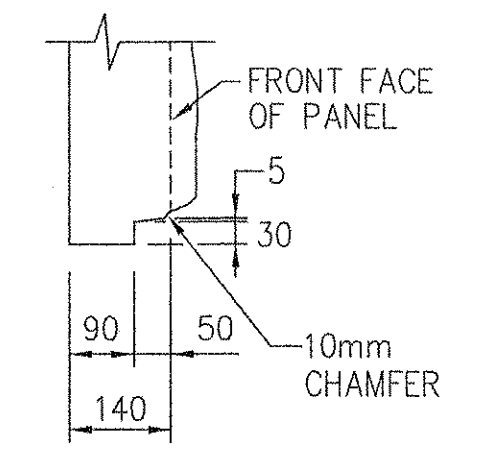
ALL DIMENSIONS ARE IN MILLIMETERS UNLESS OTHERWISE NOTED



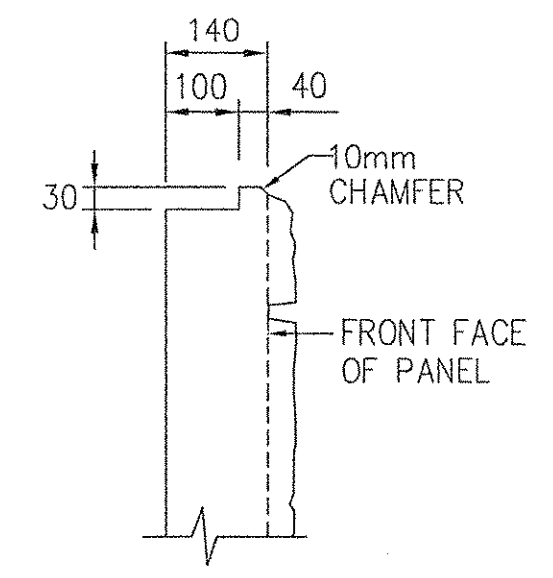
DETAIL "A"
SCALE: 1:10



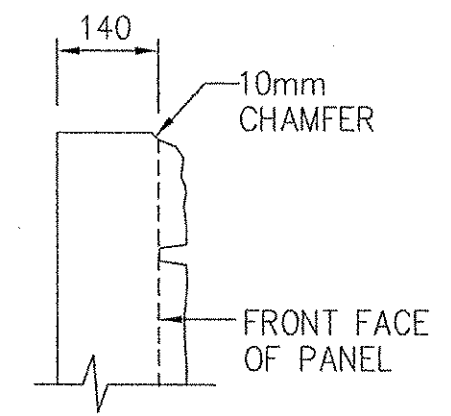
DETAIL "B"
SCALE: 1:10



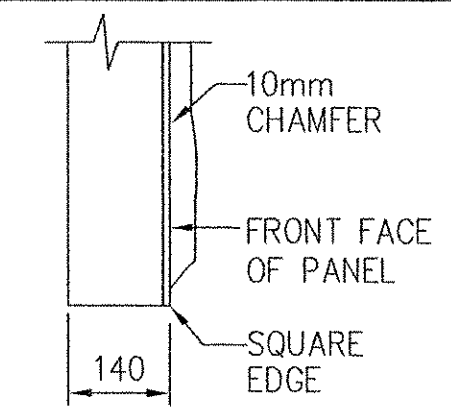
DETAIL "C"
SCALE: 1:10



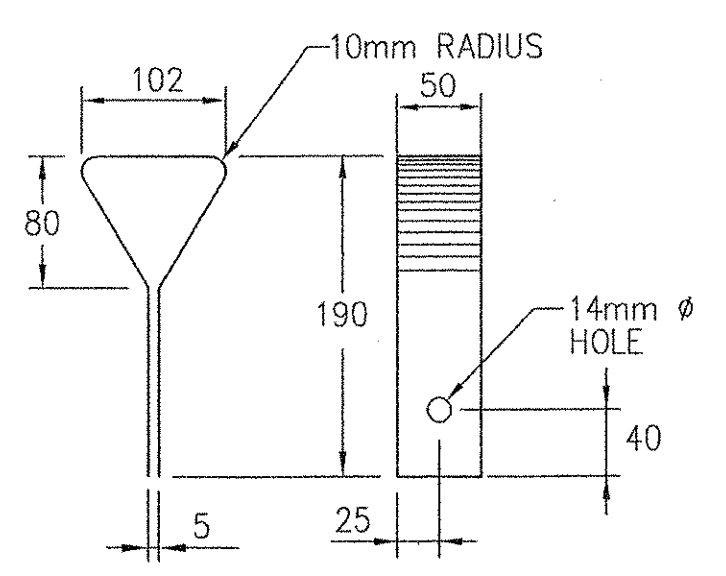
DETAIL "D"
SCALE: 1:10



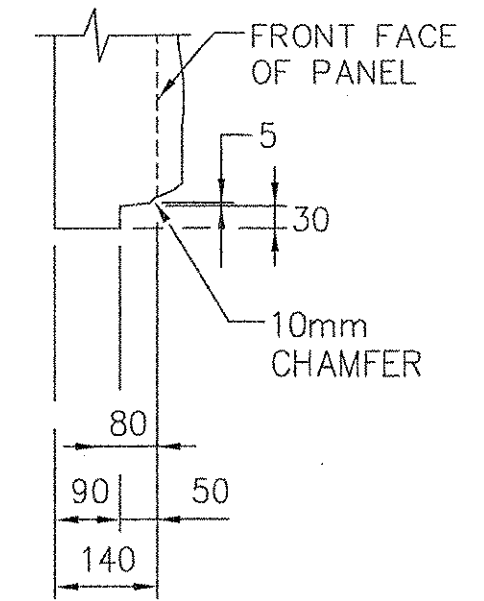
DETAIL "G"
SCALE: 1:10



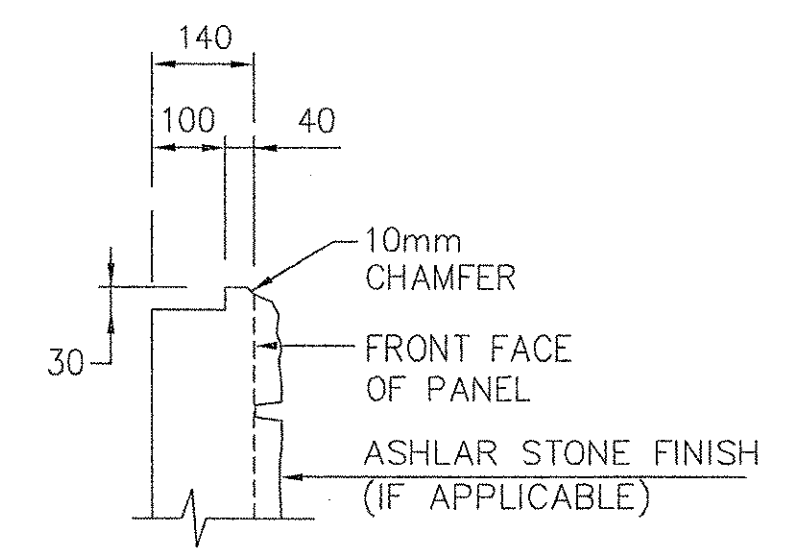
DETAIL "H"
SCALE: 1:10



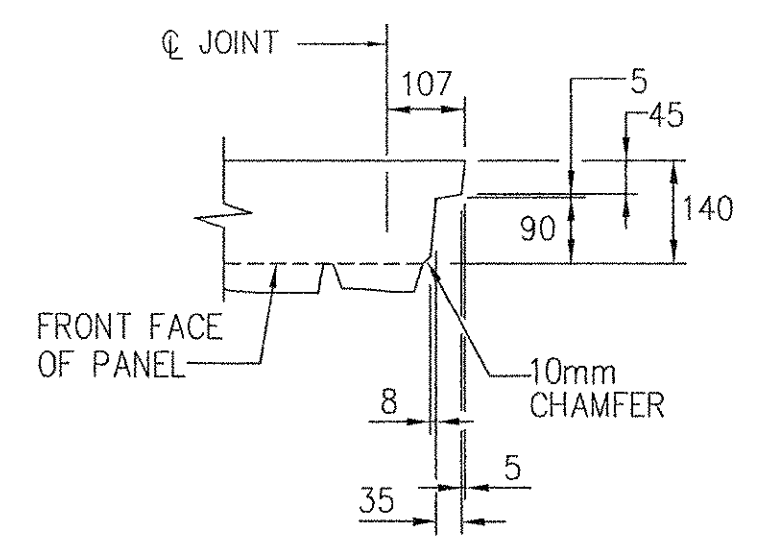
DETAIL "J"
SCALE: NONE
(GENERAL NOTE No. 5)
SHEET S1



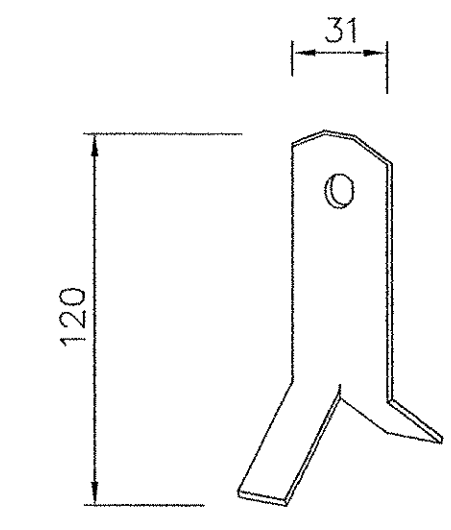
DETAIL "K"
SCALE: 1:10



DETAIL "L"
SCALE: 1:10



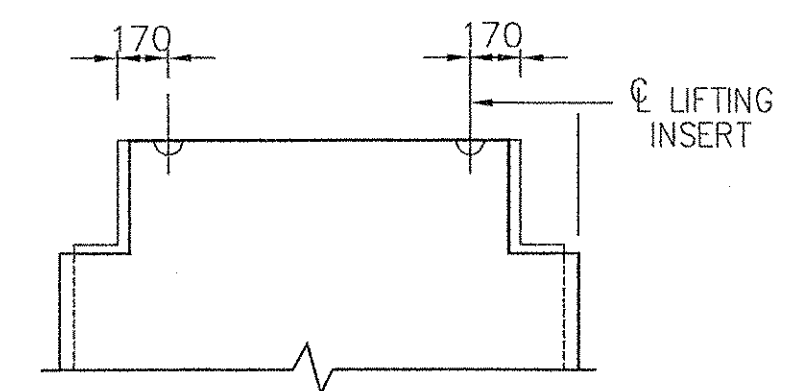
DETAIL "M"
SCALE: 1:10



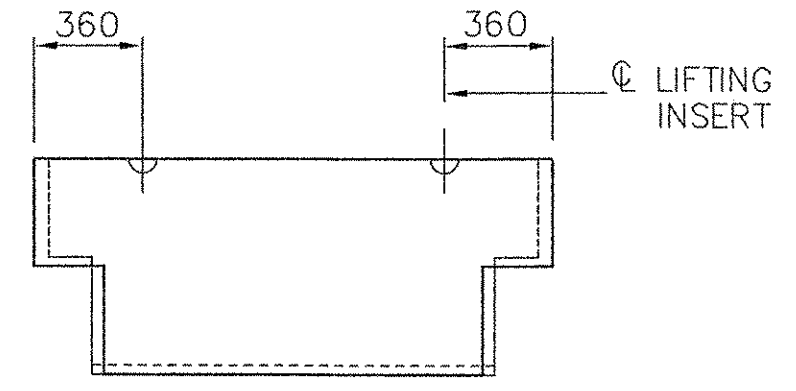
LIFTING INSERT DETAIL
SCALE: 1:5

LIFTING INSERT SHALL BE BURKE SPREAD ANCHOR 79050 OR EQUAL
LIFTING INSERT SHALL BE GALVANIZED
PLASTIC RECESS FOR USE WITH LIFTING INSERT SHALL BE BURKE 79051 OR EQUAL

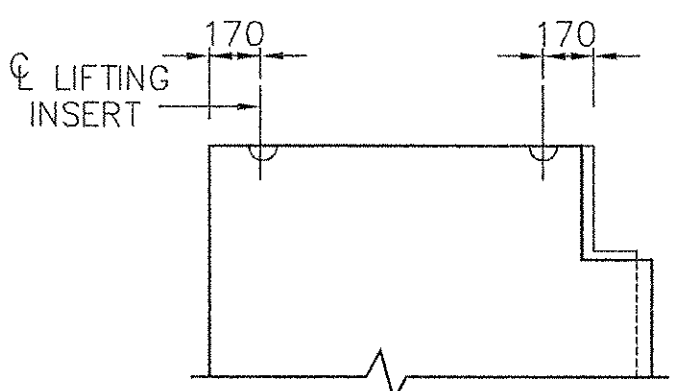
RECEIVED
AUG 11 2004
RESUBMIT APPROVED
BY CPW DATE 8/13/04



DETAIL "N"
SCALE: 1:20



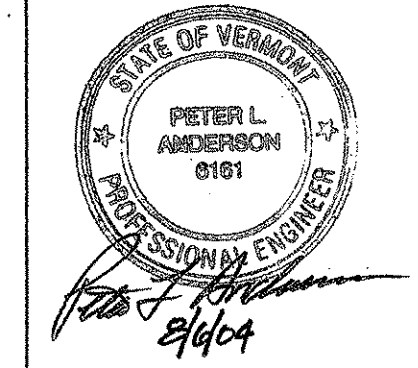
DETAIL "O"
SCALE: 1:20



DETAIL "P"
SCALE: 1:20

NOTE: FOR PANELS WITHOUT DOWELS

CERTIFIED WITH RESPECT TO THE INTERNAL STABILITY OF REINFORCED EARTH STRUCTURES ONLY



VT AOT PROJ. NO. BRO 1446(26)

This drawing contains information proprietary to The Reinforced Earth Company, and is being furnished for the use of VT AOT only in connection with this project, and the information contained herein is not to be transmitted to any other organization unless specifically authorized in writing by The Reinforced Earth Company. The Reinforced Earth Company is exclusive licensee in the United States under patents issued to Henri Vidal, and the furnishing of this drawing does not constitute an expressed or implied license under the Vidal patents.

The design contained on these drawings is based on information provided by the owner. On the basis of this information, The Reinforced Earth Company has designed, and is responsible for the internal stability of the structure only. External stability, including foundation and slope stability, is the responsibility of the owner.

The Reinforced Earth Company
8614 Westwood Center Drive Suite 1100, Vienna, Virginia 22182 (703) 821-1175

"REINFORCED EARTH" is the registered trademark of The Reinforced Earth Company.

DESIGNED BY: KPB	PROJECT ENGR: KPB	CHECKED BY: PLA	ENG. MANAGER	REV.	DATE	DESCRIPTION	DRAWING COVERS	PROJECT NAME STOWE STREET BRIDGE OVER CENTRAL VT RAILROAD	LOCATION WATERBURY VERMONT	OWNER VT AOT	DATE 6-25-04	CONTRACT NO. 11069	DRAWING NO. S3 OF S7	SCALE AS SHOWN
---------------------	----------------------	--------------------	--------------	------	------	-------------	----------------	---	----------------------------------	-----------------	-----------------	-----------------------	-------------------------	-------------------

C:\11069\11069_S03.DWG

073 ew