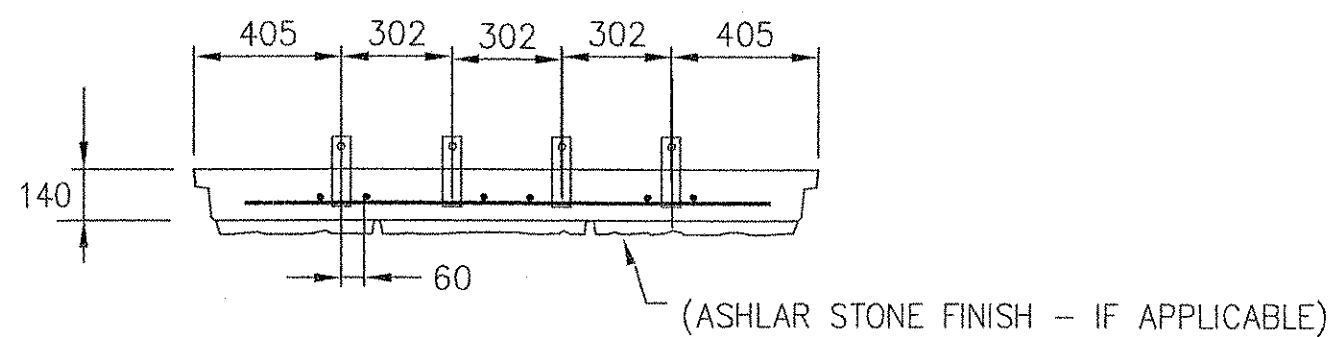
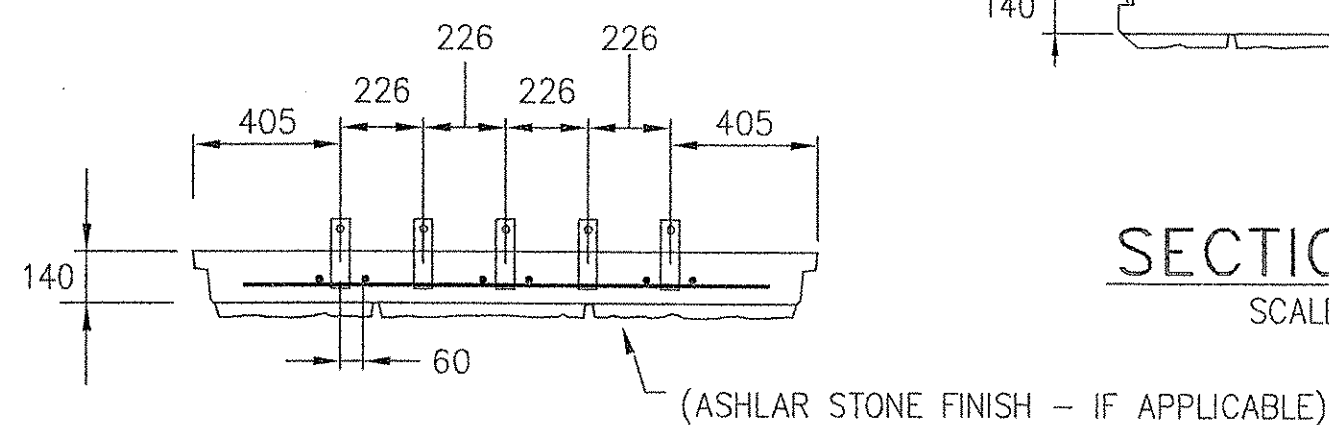


SECTION A-A FOR 2 OR 3 T.S. PER LEVEL

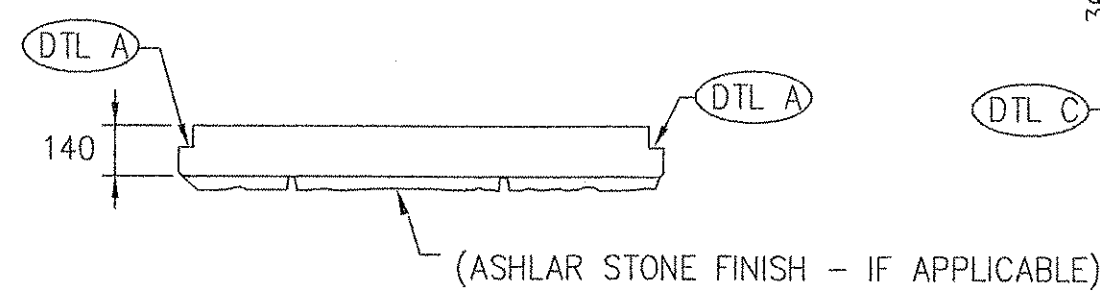
SCALE 1:20



SECTION A-A FOR 4 T.S.

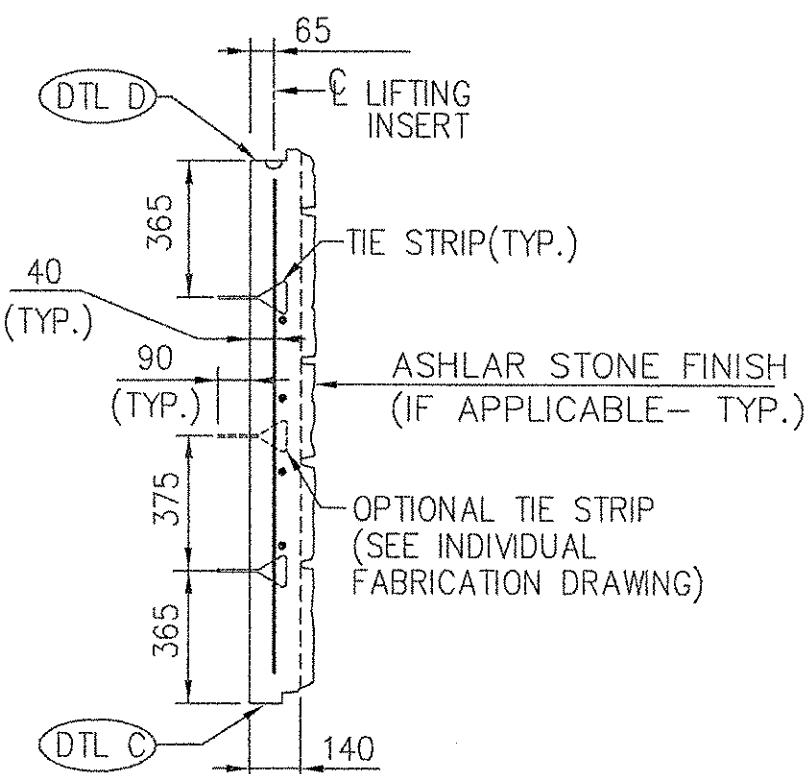


SECTION A-A FOR 5 T.S.



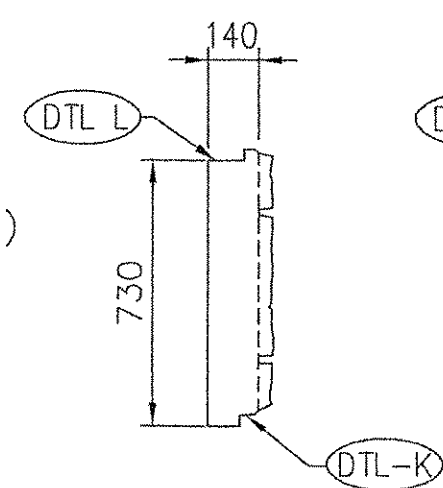
SECTION B-B

SCALE 1:20



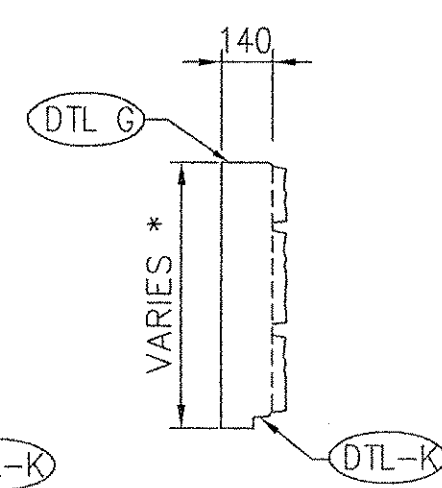
SECTION C-C

SCALE 1:20



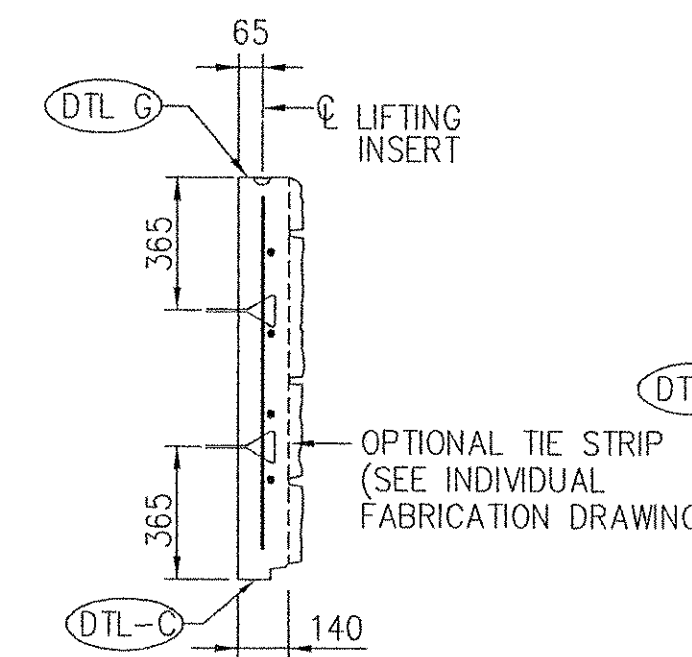
SECTION D-D

SCALE 1:20



SECTION E-E

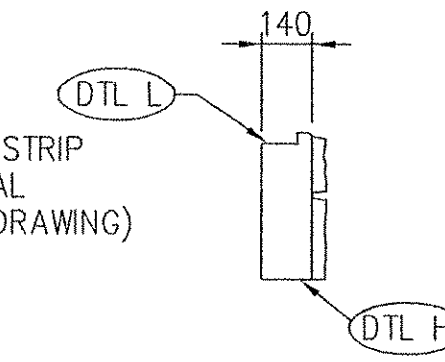
SCALE 1:20



SECTION F-F

SCALE 1:20

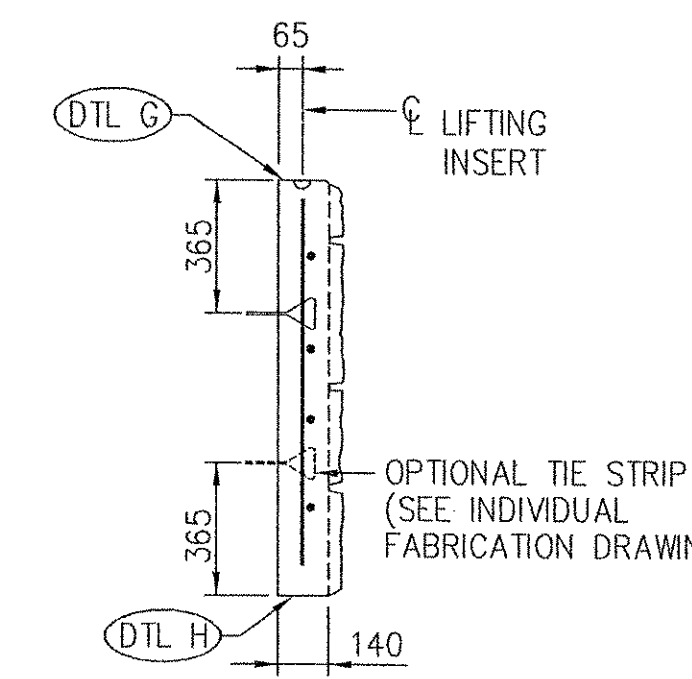
DETAIL APPLIES TO PANEL TYPES: C,D,E,F,G,H & K



SECTION G-G

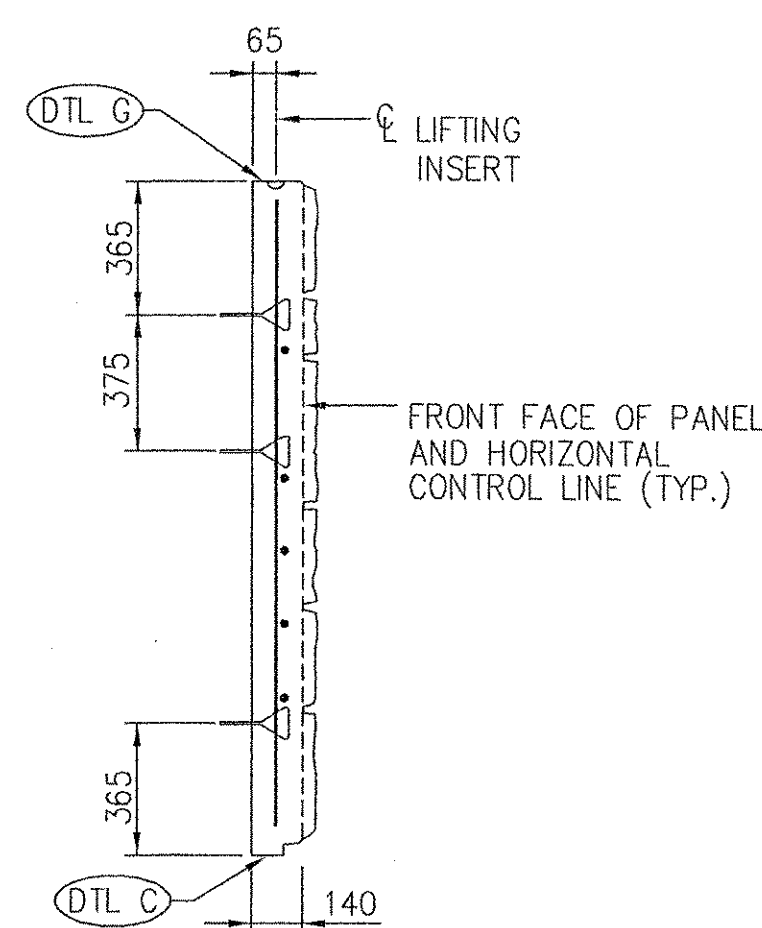
SCALE 1:20

DETAIL APPLIES TO PANEL TYPE: B



SECTION H-H

SCALE 1:20



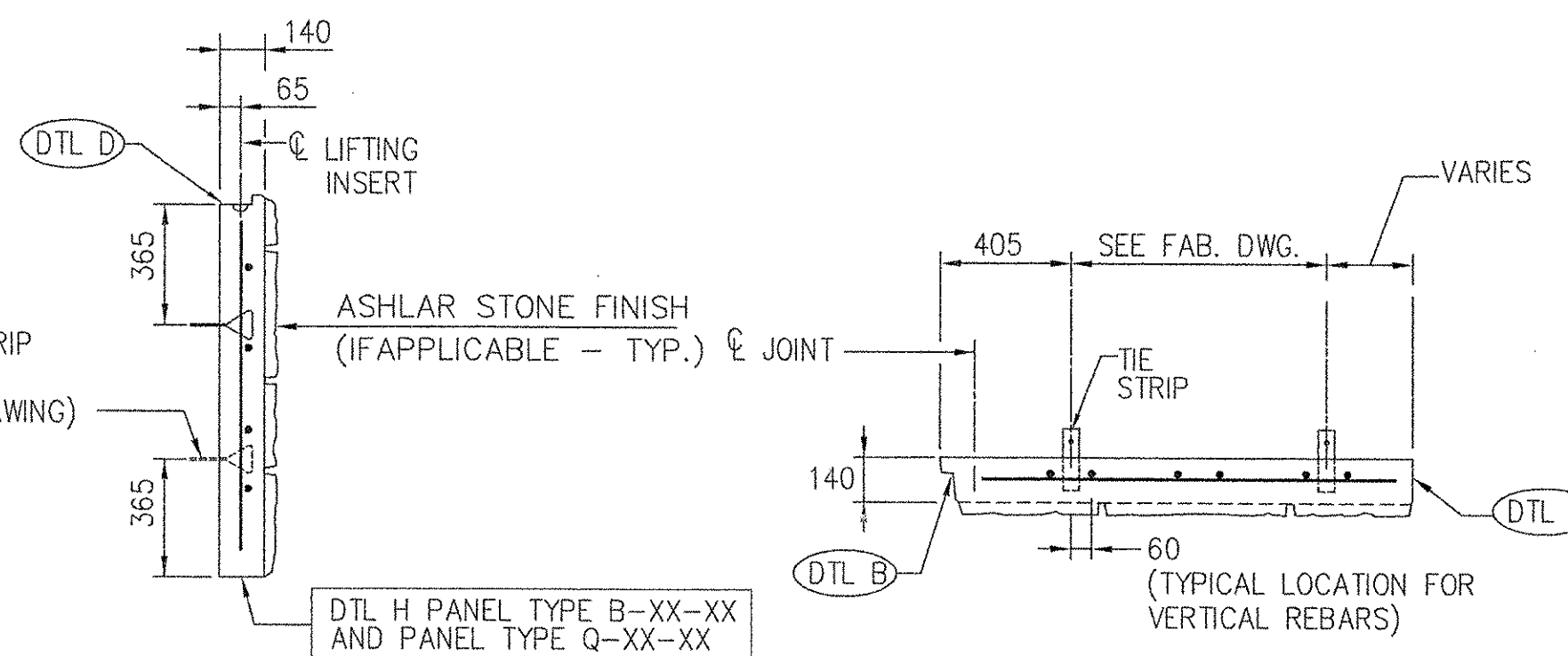
SECTION J-J

SCALE 1:20

FOR DETAILS A,B,C,D,G,H,J,K,L, & M SEE SHEET S3 OF THESE PLANS.

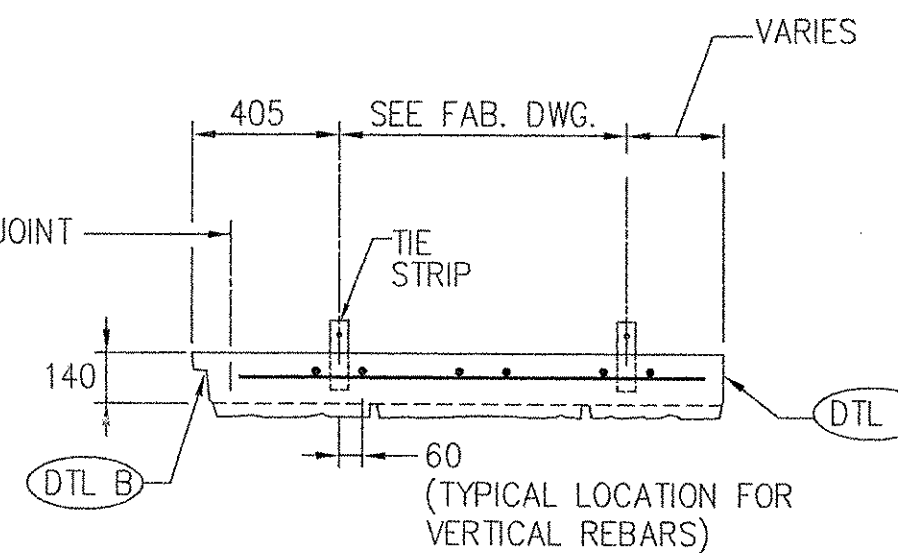
SEE INDIVIDUAL FABRICATION DRAWING FOR PLACEMENT OF REBARS.

ALL DIMENSIONS ARE IN MILLIMETERS UNLESS OTHERWISE NOTED



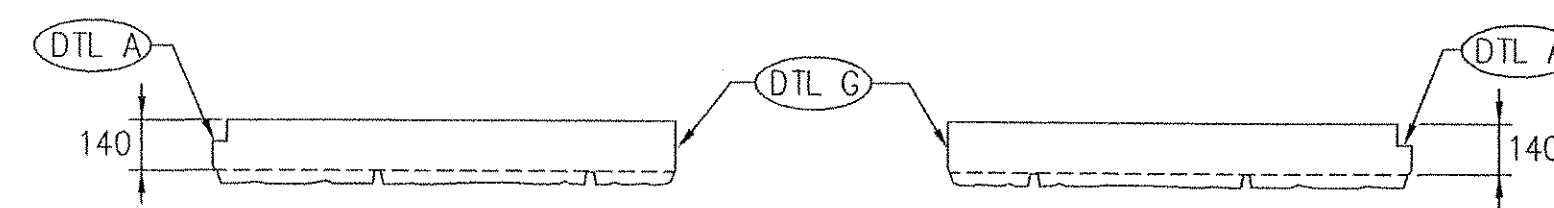
SECTION K-K

SCALE 1:20



SECTION L-L

SCALE 1:20

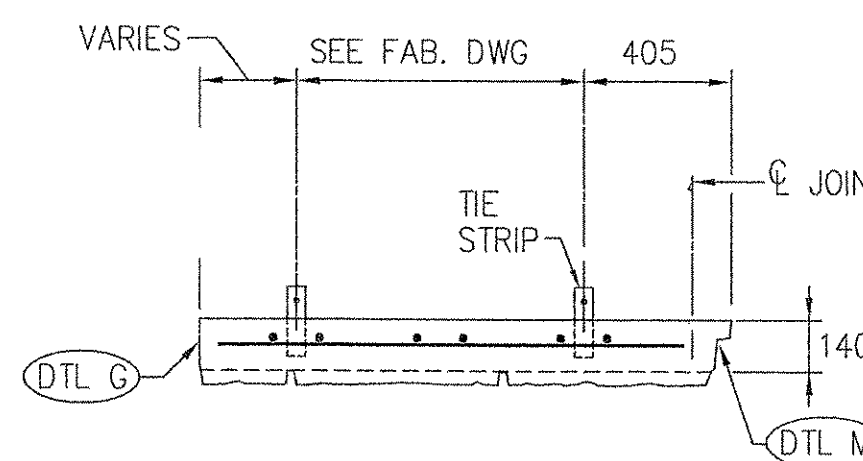


SECTION M-M

SCALE 1:20

SECTION P-P

SCALE 1:20

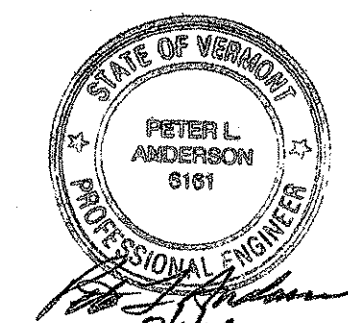


SECTION R-R

SCALE 1:20

RECEIVED  
 CWD BY CPW OK'D BY  
 AUG 11 2004  
 RESUBMIT APPROVED  
 BY CPW DATE 8/13/04

CERTIFIED WITH RESPECT TO THE INTERNAL STABILITY OF REINFORCED EARTH STRUCTURES ONLY



VT AOT PROJ. NO. BRO 1446(26)

C:\11069\11069\_S02.DWG

This drawing contains information proprietary to The Reinforced Earth Company, and is being furnished for the use of VT AOT only in connection with this project, and the information contained herein is not to be transmitted to any other organization unless specifically authorized in writing by The Reinforced Earth Company. The Reinforced Earth Company is exclusive licensee in the United States under patents issued to Henri Vidal, and the furnishing of this drawing does not constitute an expressed or implied license under the Vidal patents.

The design contained on these drawings is based on information provided by the owner. On the basis of this information, The Reinforced Earth Company has designed, and is responsible for the internal stability of the structure only. External stability, including foundation and slope stability, is the responsibility of the owner.

**The Reinforced Earth Company**  
 8614 Westwood Center Drive Suite 1100, Vienna, Virginia 22182 (703) 821-1175  
 "REINFORCED EARTH" is the registered trademark of The Reinforced Earth Company.

DESIGNED BY:	KPB			
PROJECT ENGR:	KPB			
CHECKED BY:	PLA			
ENG. MANAGER		REV.	DATE	DESCRIPTION

PROJECT NAME	STOWE STREET BRIDGE OVER CENTRAL VT RAILROAD	DATE	6-25-04
LOCATION	WATERBURY VERMONT	CONTRACT NO.	11069
OWNER	VT AOT	DRAWING NO.	S2 OF S7
DRAWING COVERS	PANEL CROSS SECTIONS	SCALE	AS SHOWN

072.822