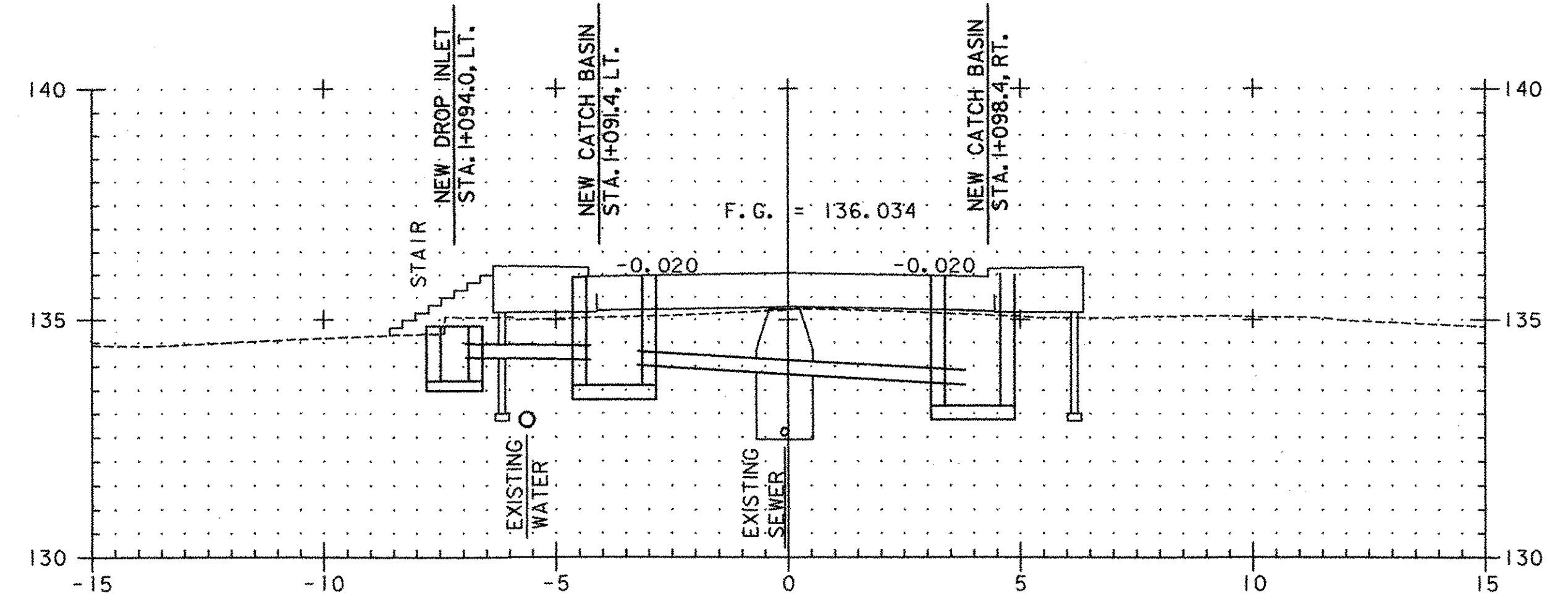
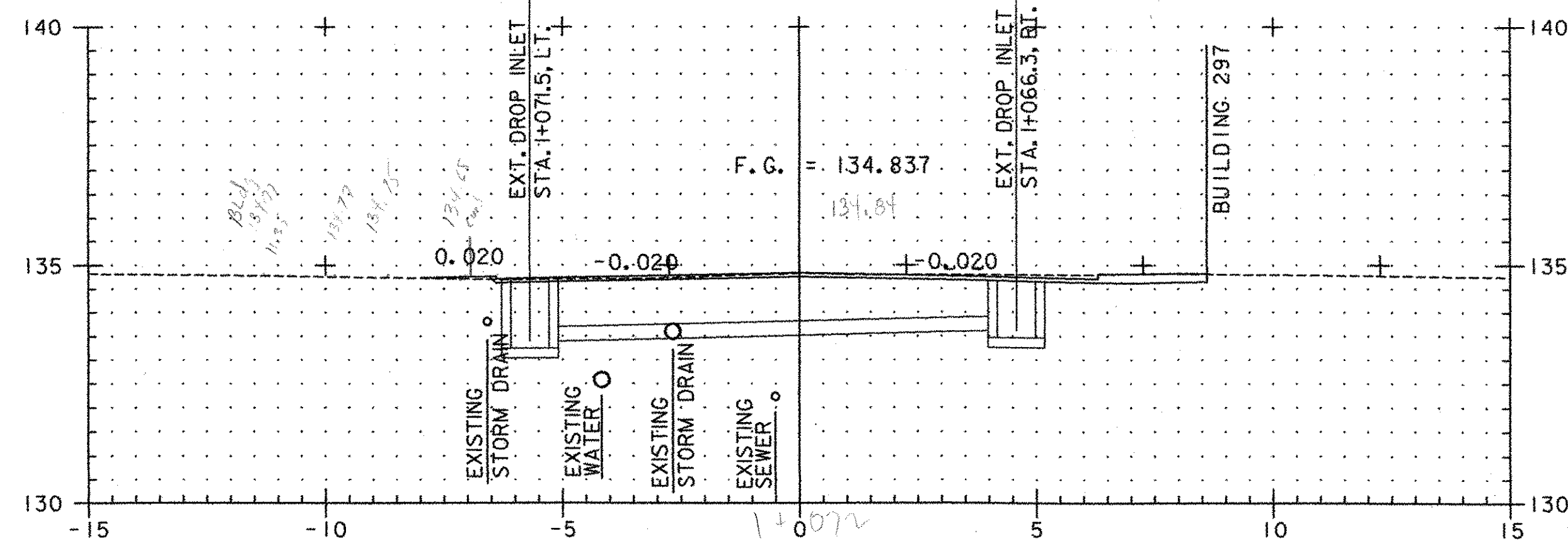


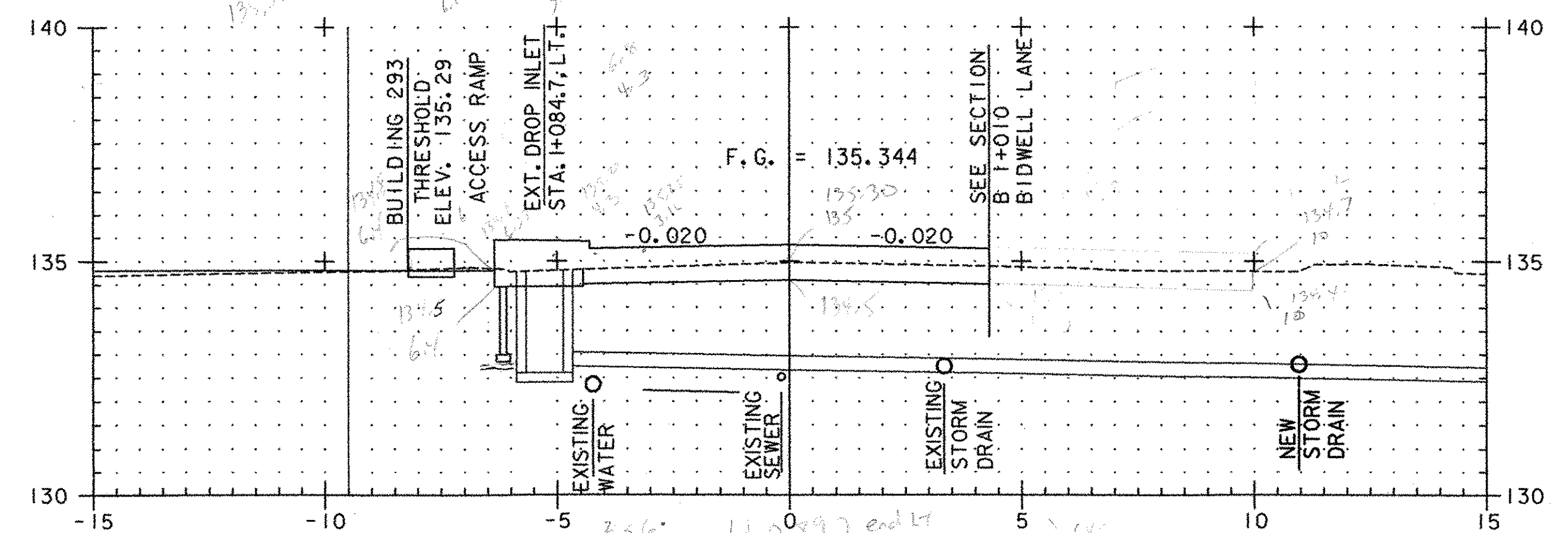
1+080 *for 5.975. CH*
STOWE STREET
11075 6



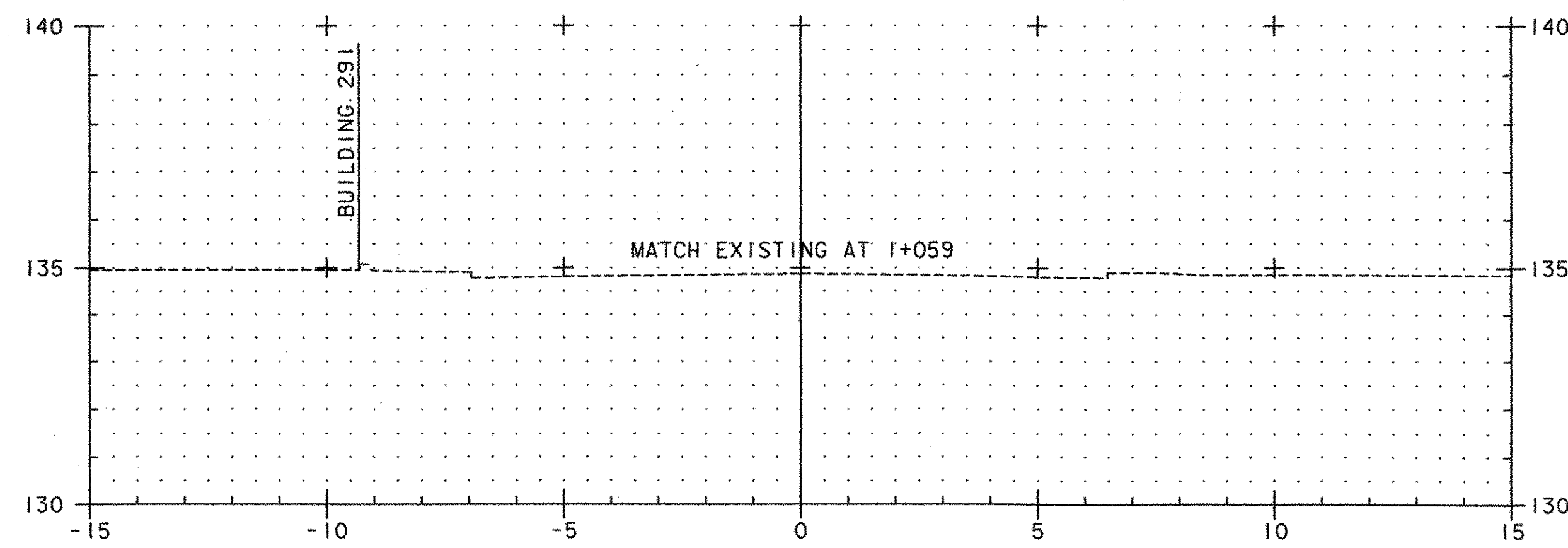
1+097
STOWE STREET
1+089.7 RT 0
1+095 LT 0



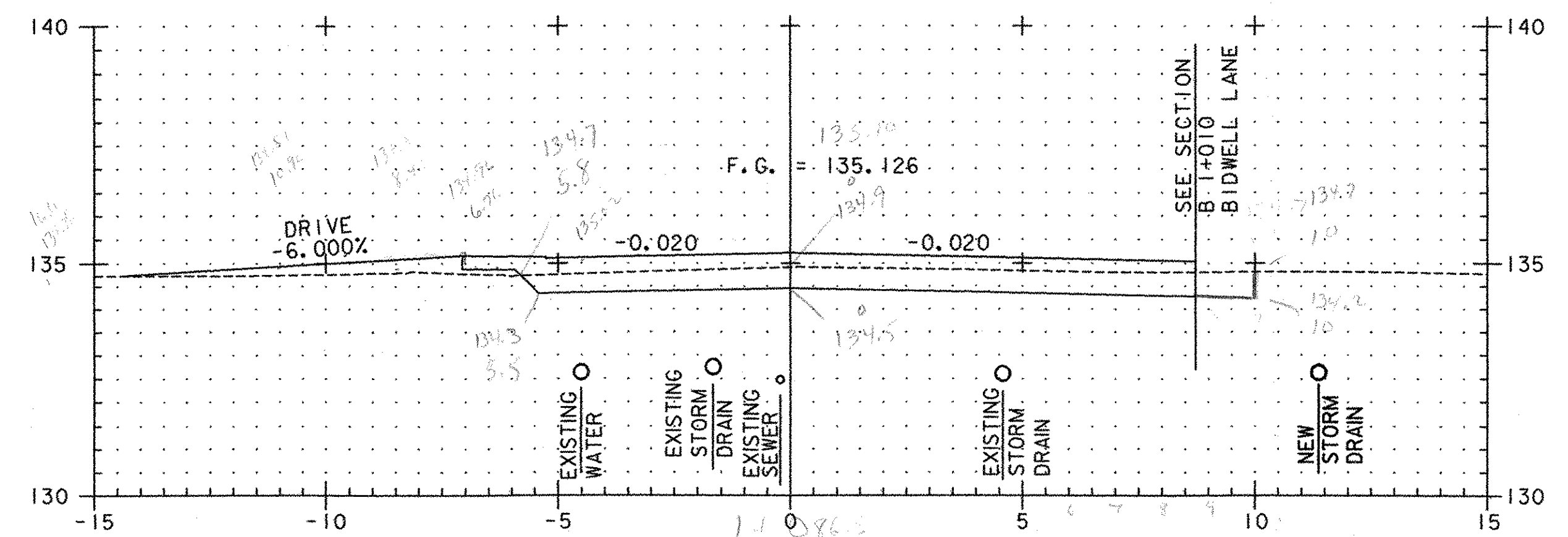
1+070 = 0
STOWE STREET



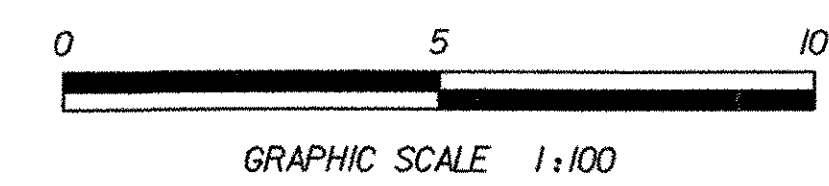
1+090
STOWE STREET
END APPROACH, BEGIN PROJECT



1+060
STOWE STREET
STA. 1+059.000
BEGIN APPROACH



1+087
STOWE STREET



PROJECT NAME:	WATERBURY		
PROJECT NUMBER:	BRO 1446(26)		
FILE NAME:	...49-59 sections.ptf	PLOT DATE:	01/26/2004
PROJECT LEADER:	G EDWARDS/R GINGRAS	DRAWN BY:	M. MEILLEUR
DESIGNED BY:	M. MEILLEUR	CHECKED BY:	R. GINGRAS
STOWE STREET CROSS SECTIONS		SHEET 49 OF 63	

D:\PROJECTS\49-59 SECTIONS.DWG 01/26/2004 10:12:27 AM