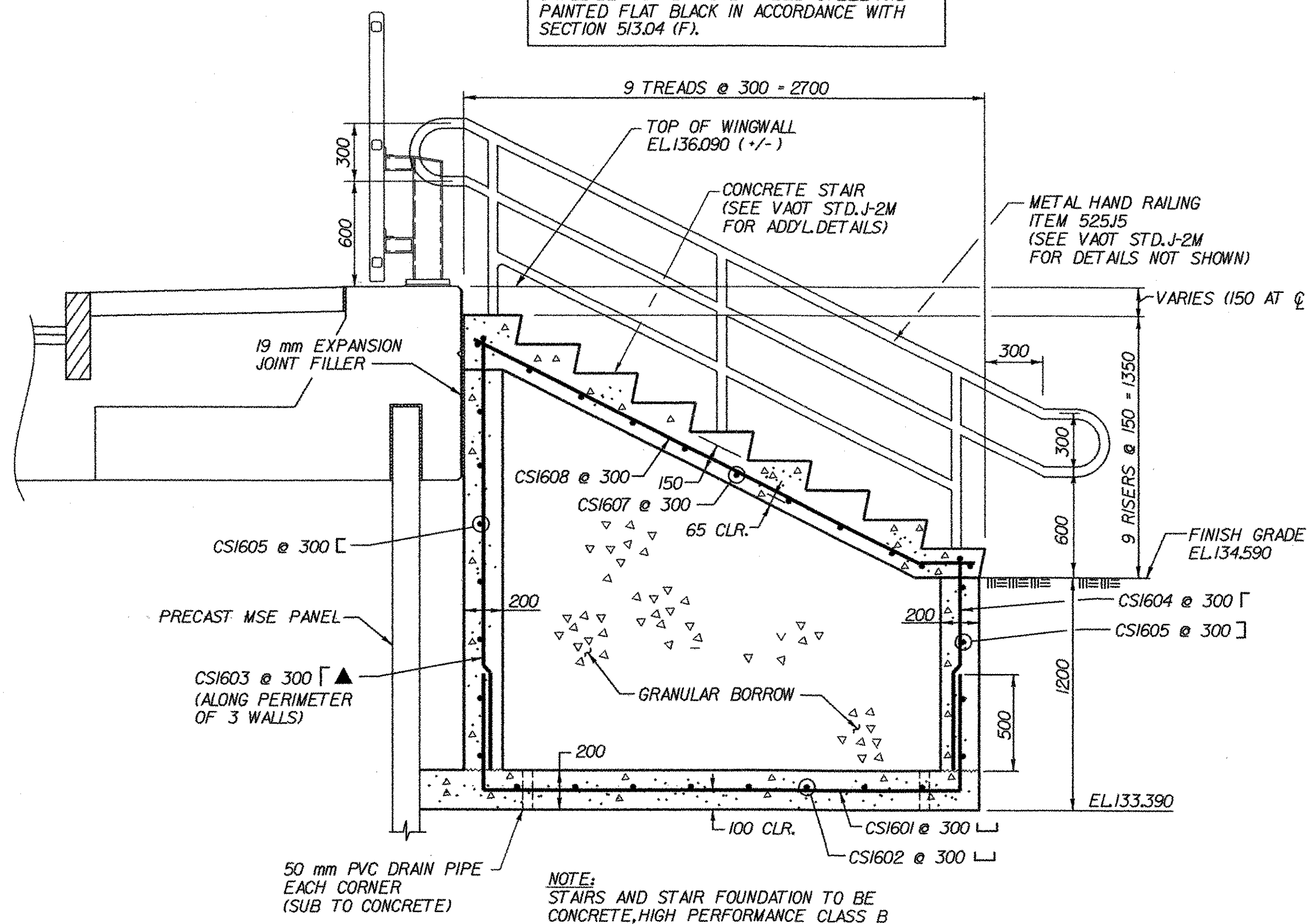
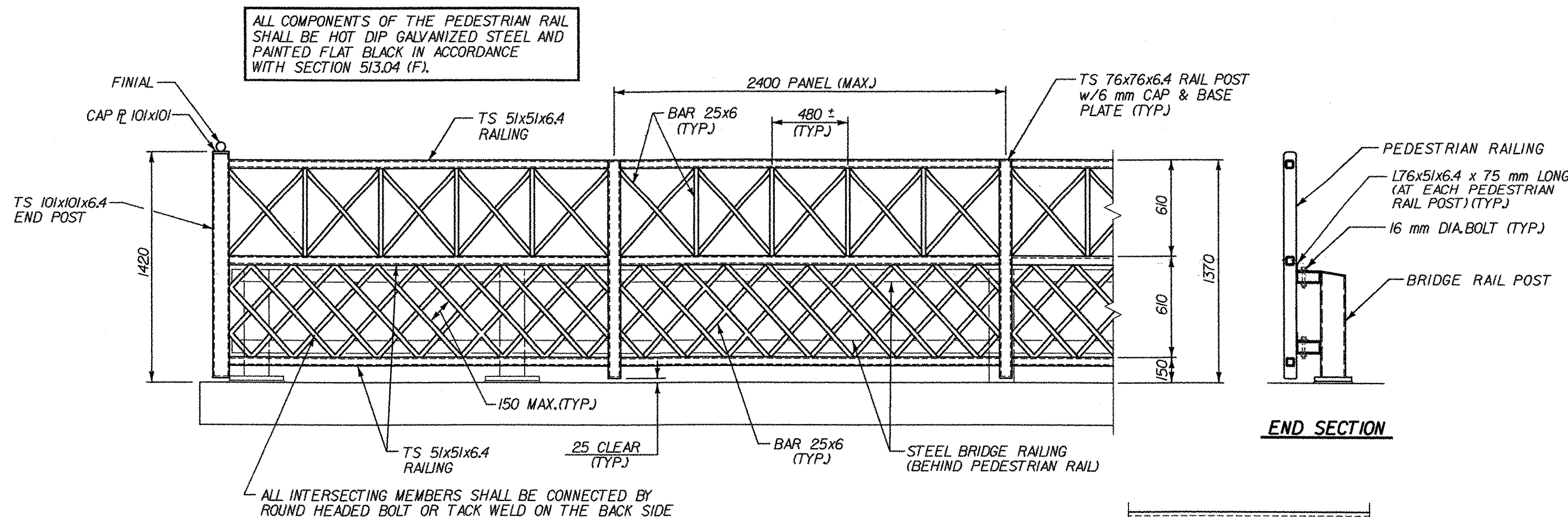


**STAIR PLAN**  
SCALE 1:20

ALL COMPONENTS OF THE METAL HAND RAILING SHALL BE HOT DIP GALVANIZED STEEL AND PAINTED FLAT BLACK IN ACCORDANCE WITH SECTION 513.04 (F).



**TYPICAL STAIR SECTION**  
SCALE 1:20

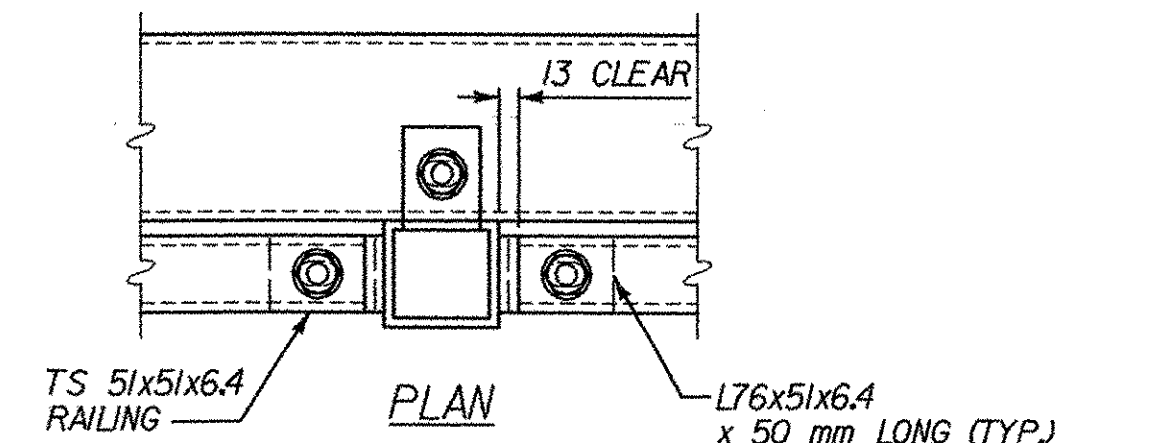


**PEDESTRIAN RAILING ELEVATION**

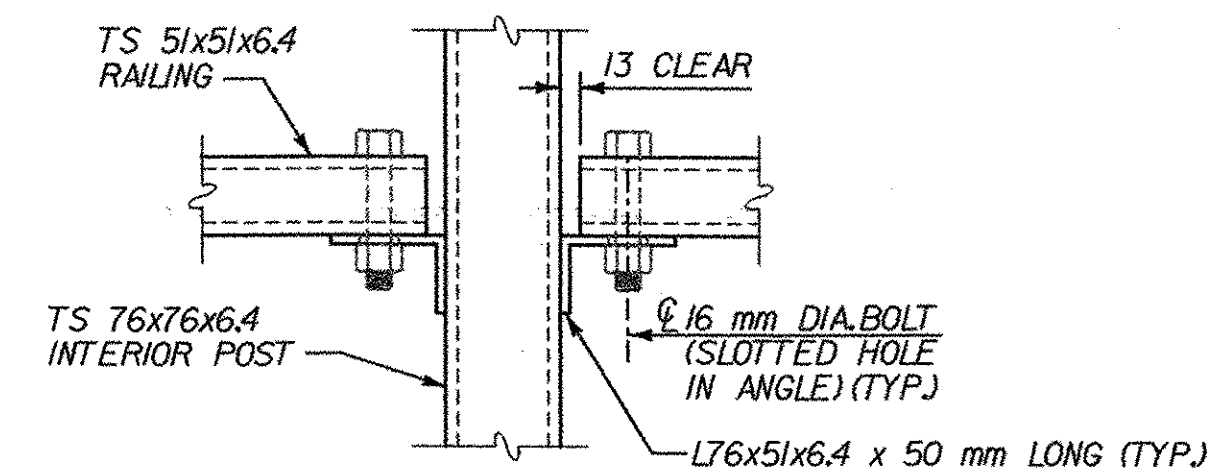
SCALE 1:20

**NOTES:**

1. ALL STEEL EXCEPT TUBE SECTIONS SHALL CONFORM TO AASHTO M 270, GRADE 250.
2. ALL STEEL TUBING SHALL CONFORM TO ASTM A500 B OR ASTM A501.
3. RAIL SHALL BE FABRICATED SUCH THAT POSTS ARE NORMAL TO GRADE.
4. GRILL WORK SHALL BE ATTACHED TO RAILS AT EACH PANEL POINT BY ROUND HEAD BOLT OR WELD.
5. PANELS SHALL BE FABRICATED SUCH THAT INDIVIDUAL PANELS CAN BE REMOVED AND REPAIRED IN THE FUTURE.
6. SHOP DRAWINGS SHOWING FABRICATION DETAILS OF THE PEDESTRIAN RAILING SHALL BE SUBMITTED FOR REVIEW AND APPROVAL.

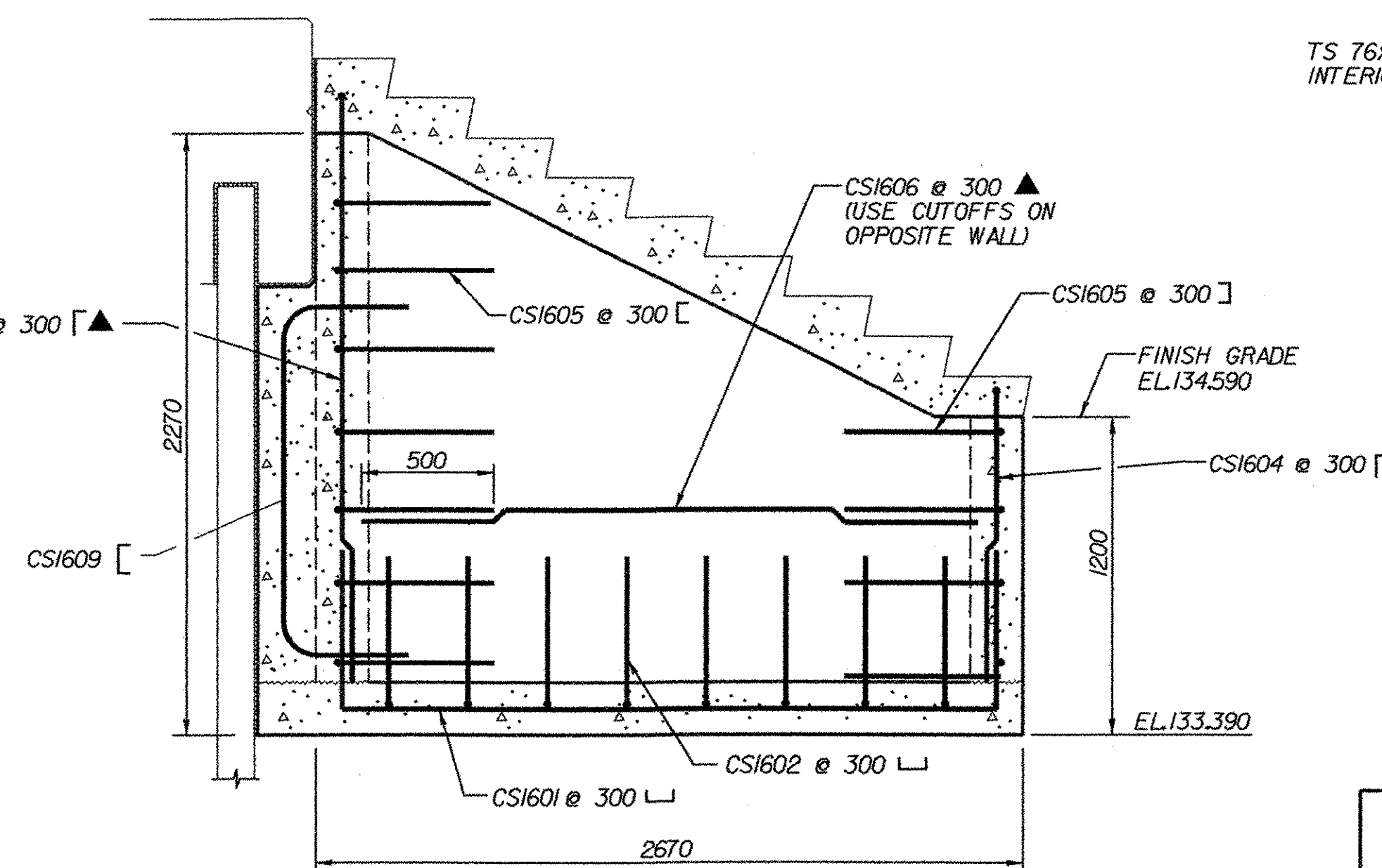


**PLAN**



**ELEVATION**

**PEDESTRIAN RAILING CONNECTION DETAIL**  
SCALE 1:5



**END WALL ELEVATION**

(TYPICAL 2 PLACES)  
SCALE 1:20

**NOTE:**

- NF - NEAR FACE
  - FF - FAR FACE
  - EF - EACH FACE
  - ▲ - CUT TO FIT IN FIELD
- 75 CLR. UNLESS OTHERWISE SPECIFIED ON THE PLANS.

**STATE OF VERMONT AGENCY OF TRANSPORTATION**

Town Of	WATERBURY	Bridge No.	35
Highway No.		Log Sta.	
		Surv. Sta.	
STOWE ST. BRIDGE OVER CENTRAL VERMONT RAILROAD			
<b>CONCRETE STAIR DETAILS</b>			
Designed By	R. GINGRAS	Drawn By	A. THIBAUT
Checked By	G. BOGUE	Date	3/03
		Bridge Design Supervisor	
PROJECT	STOWE STREET	PROJECT NO.	BRO 1446(26)
DH CAD Filename:	...47_SSB_Stair.dgn	Plot Date:	01/27/2004
Bridge Sheet No.	BR11	Sheet	47 of 63