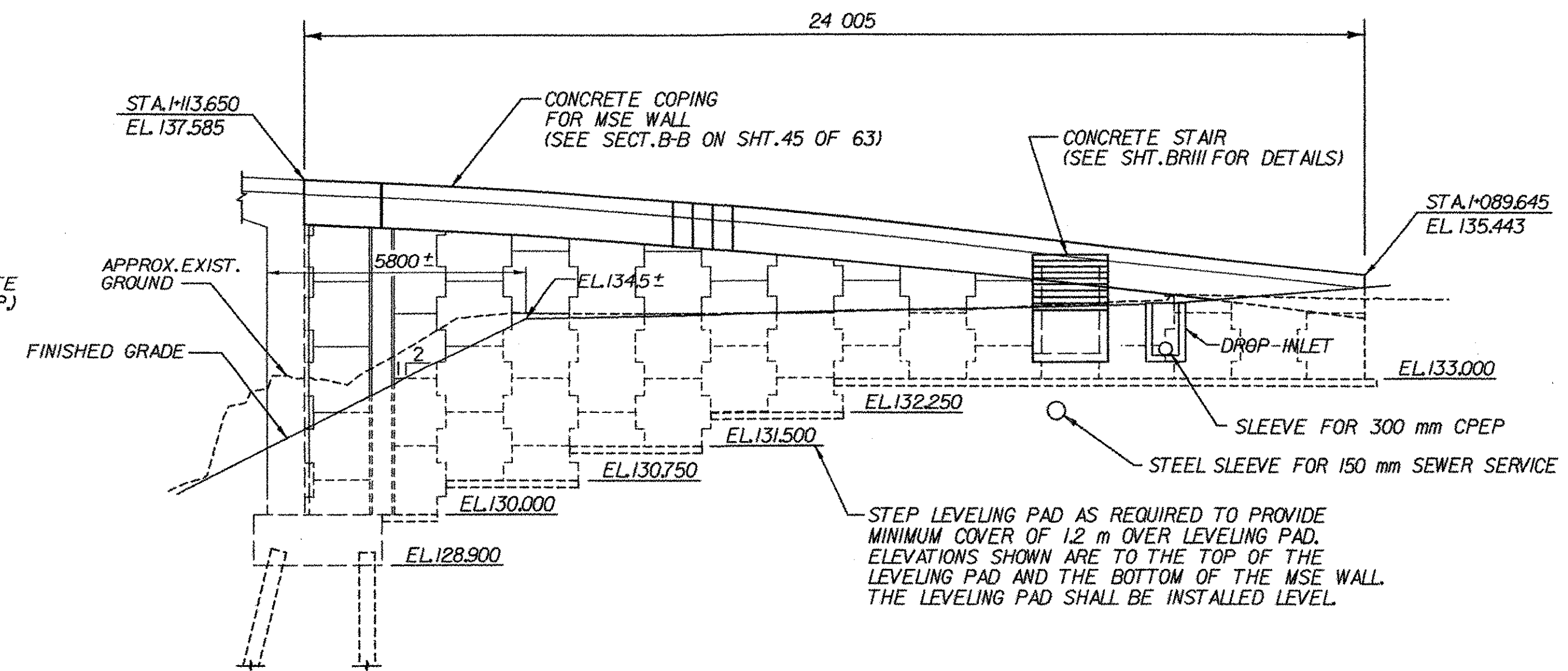
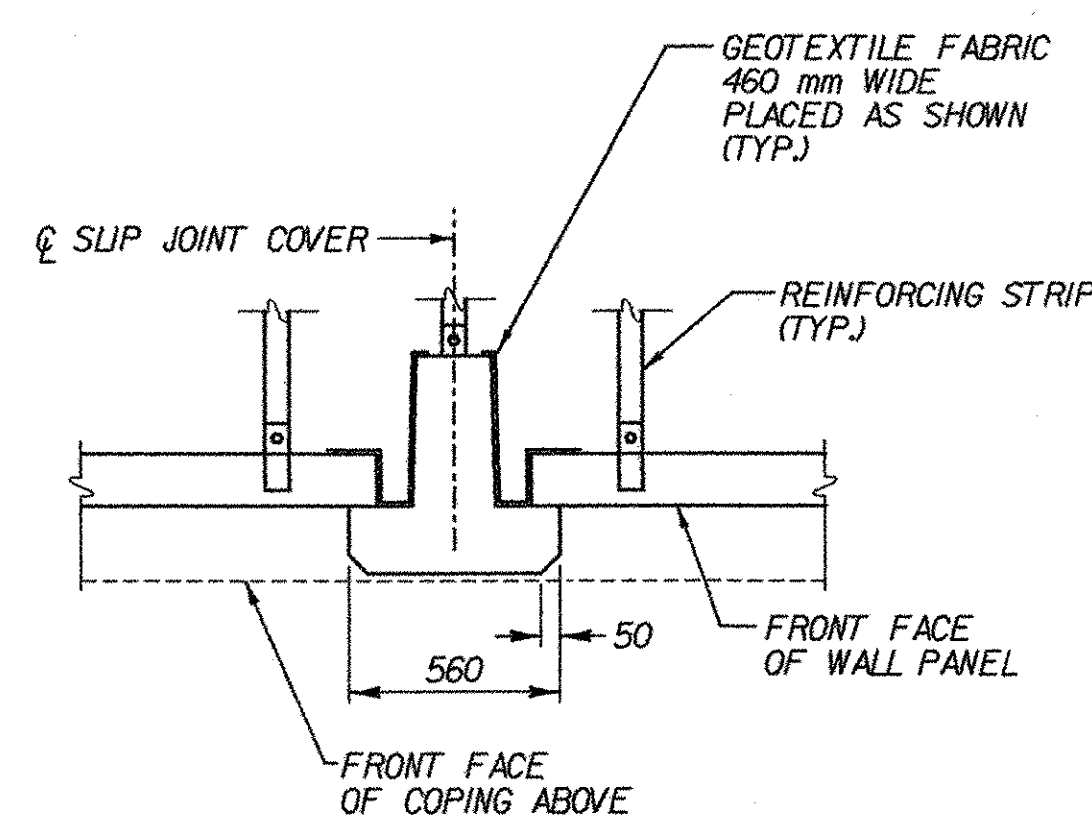


WINGWALL NO. 2



WINGWALL NO. 1

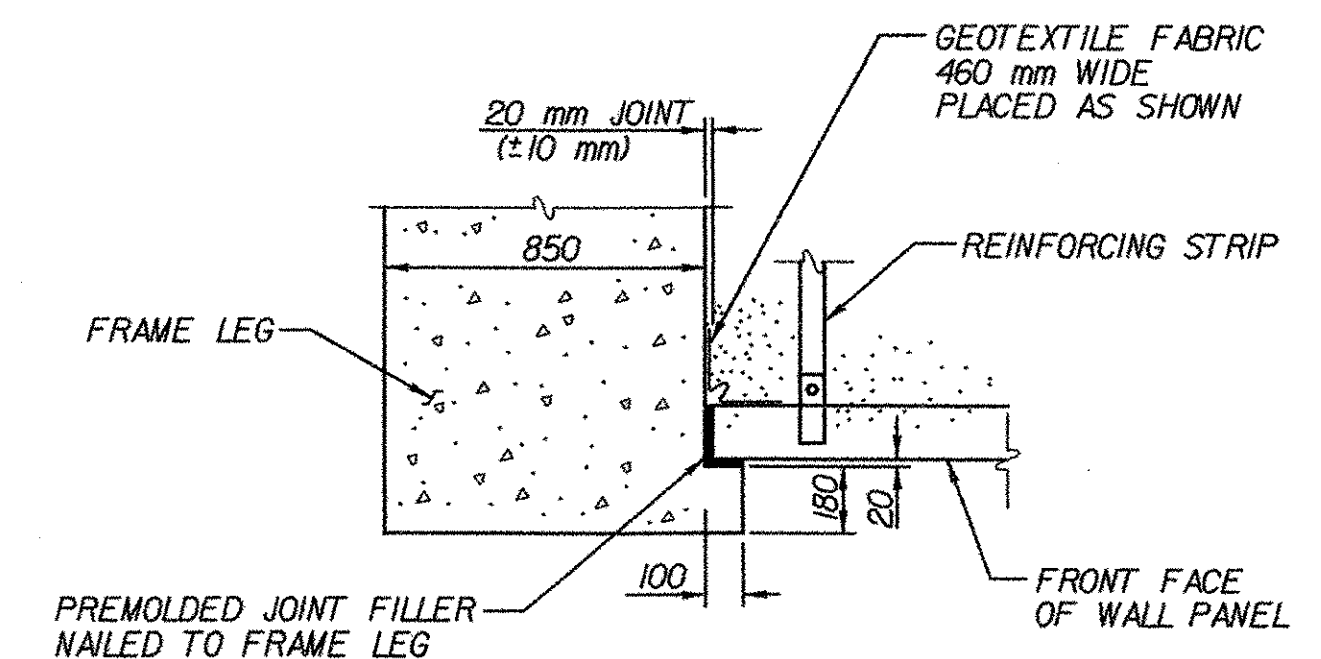


SLIP JOINT COVER DETAIL  
SCALE 1:20

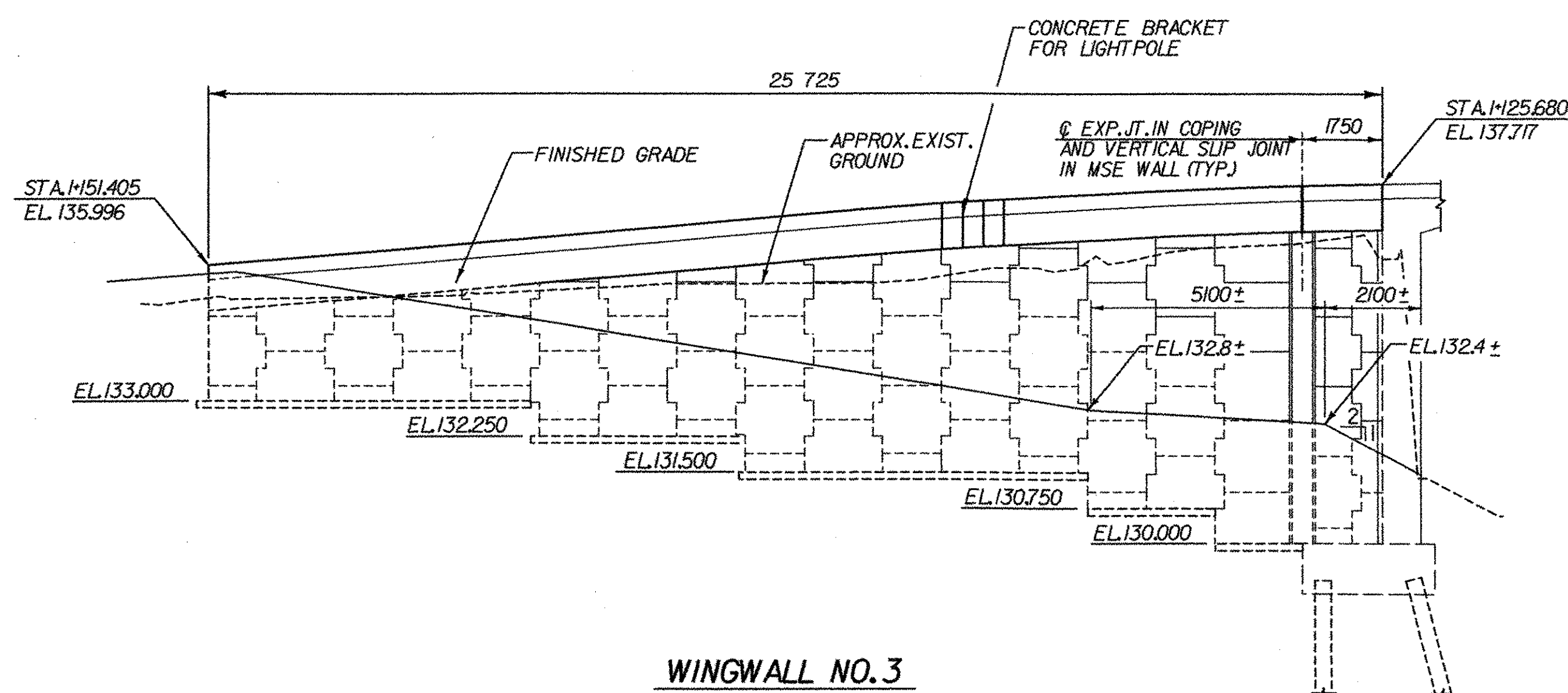
FRAME LEG 1 WINGWALL ELEVATIONS  
SCALE 1:100

STATION	H089.645	H092.000	H095.000	H098.000	H101.000	H104.000	H107.000	H110.000	H113.650
ELEVATION (m)	135.443	135.640	135.937	136.286	136.621	136.912	137.157	137.357	137.585

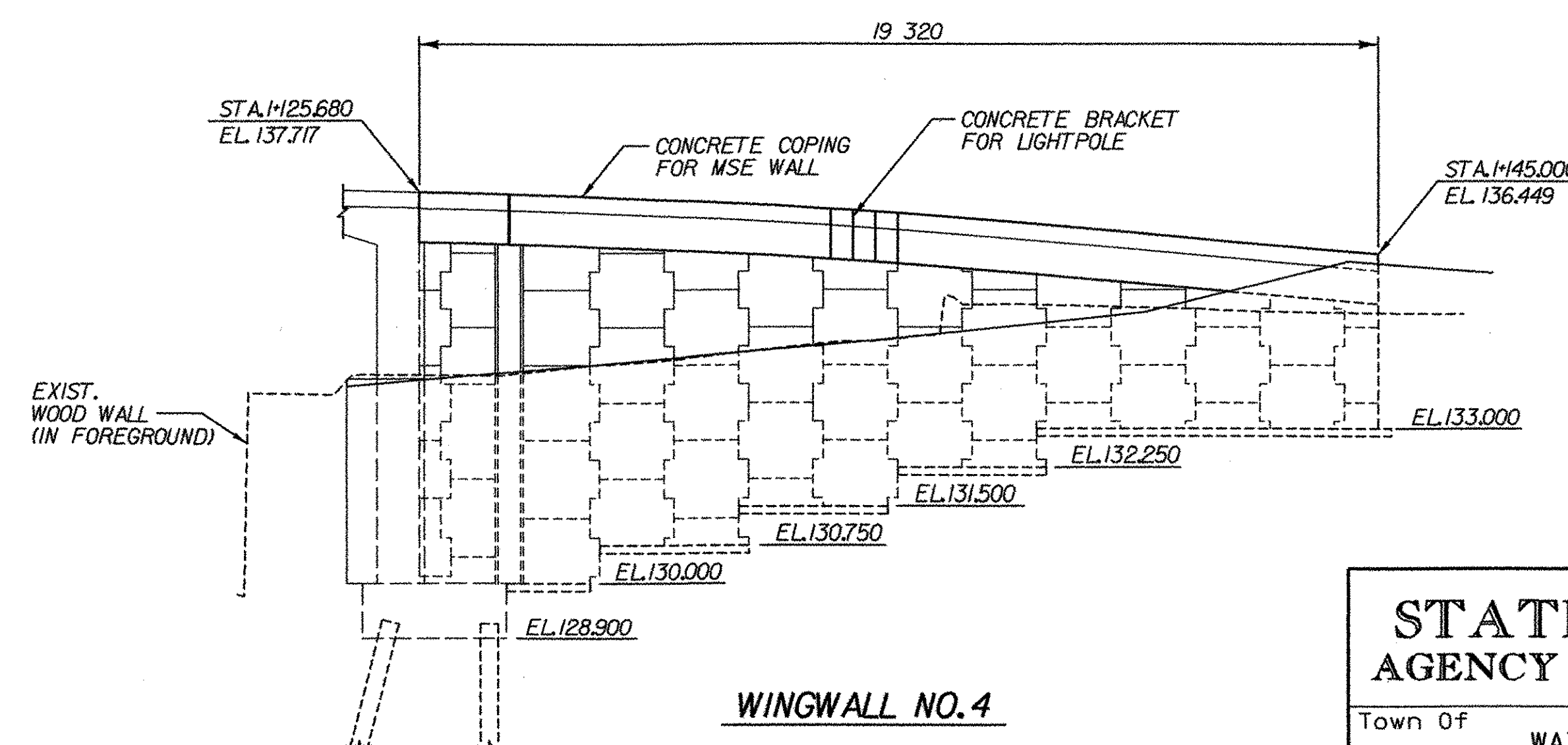
STATION	H25.680	H28.680	H29.000	H32.000	H35.000	H38.000	H41.000	H44.000	H45.000	H47.000	H50.000	H51.405
ELEVATION (m)	137.717	137.592	137.581	137.452	137.277	137.057	136.794	136.531	136.449	136.295	136.085	135.996



MSE WALL BUTT JOINT AT FRAME LEG  
SCALE 1:20



WINGWALL NO. 3



WINGWALL NO. 4

FRAME LEG 2 WINGWALL ELEVATIONS  
SCALE 1:100

STATE OF VERMONT  
AGENCY OF TRANSPORTATION

Town Of	WATERBURY	Bridge No.	35
Highway No.		Log Sta.	
		Surv. Sta.	
STOWE ST. BRIDGE OVER CENTRAL VERMONT RAILROAD			
<b>WINGWALL ELEVATIONS</b>			
Designed By	R. GINGRAS	Drawn By	A. THIBAUT
Checked By	G. BOGUE	Date	3/03
		Bridge Design Supervisor	Date
PROJECT	STOWE STREET	PROJECT NO.	BRO 1446(26)
DH CAD Filename:	...46_SSB_Wings.dgn	Plot Date:	01/27/2004
Bridge Sheet No.	BRIIO	Sheet	46 of 63