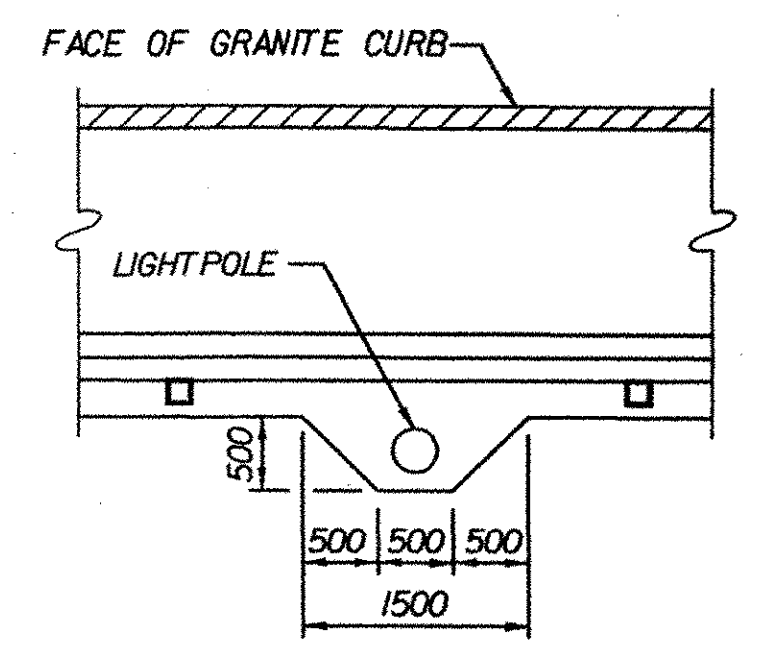
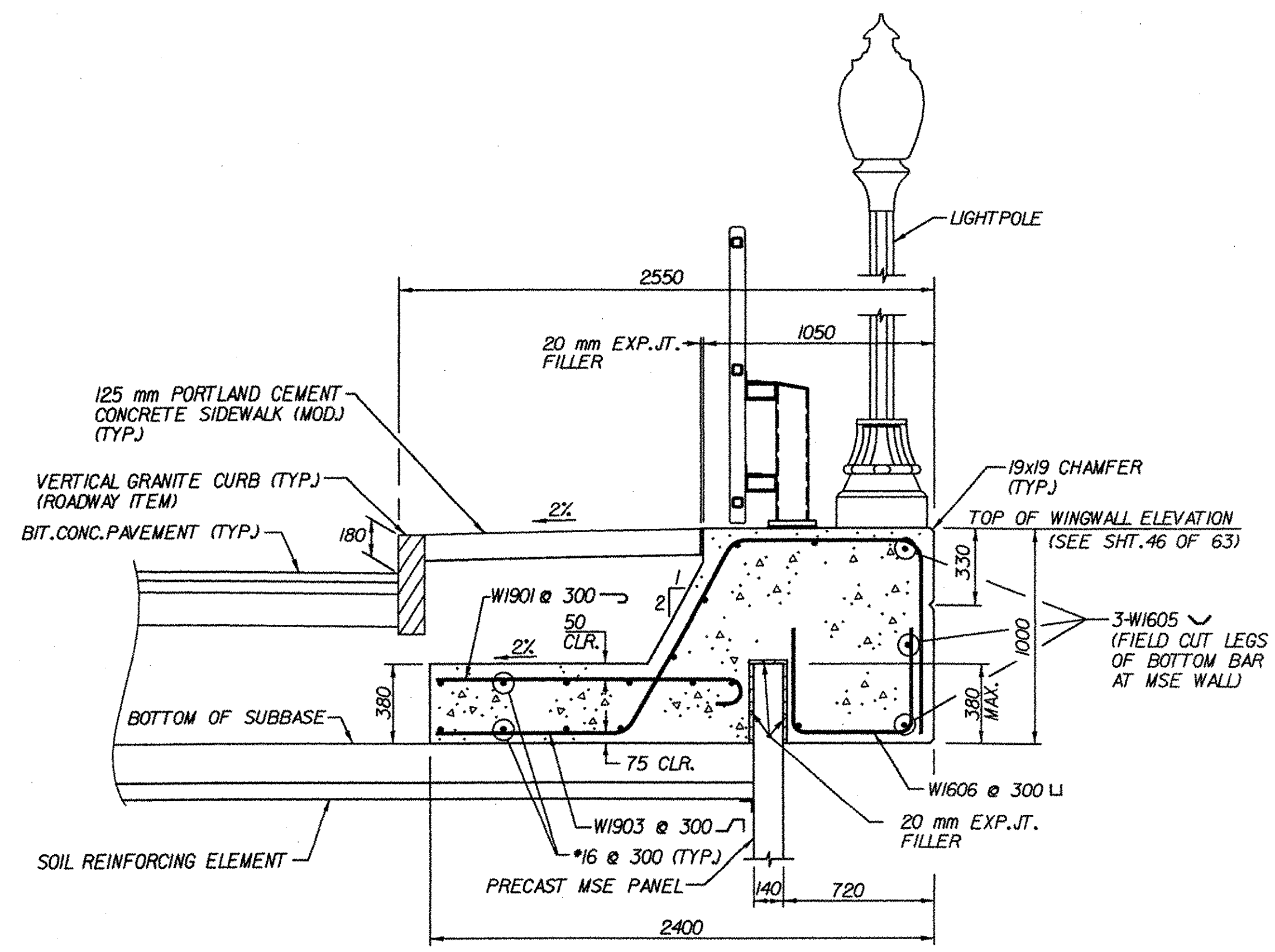


PLAN
SCALE 1:100

NOTE: PLACE CONSTRUCTION JOINTS IN WINGWALL COPING EVERY 6 m (+/-).
LOCATION OF CONSTRUCTION JOINTS SHALL COINCIDE WITH JOINTS IN MSE WALL.
JOINT DETAIL TO BE SIMILAR TO SIDEWALK CONSTRUCTION JOINT.

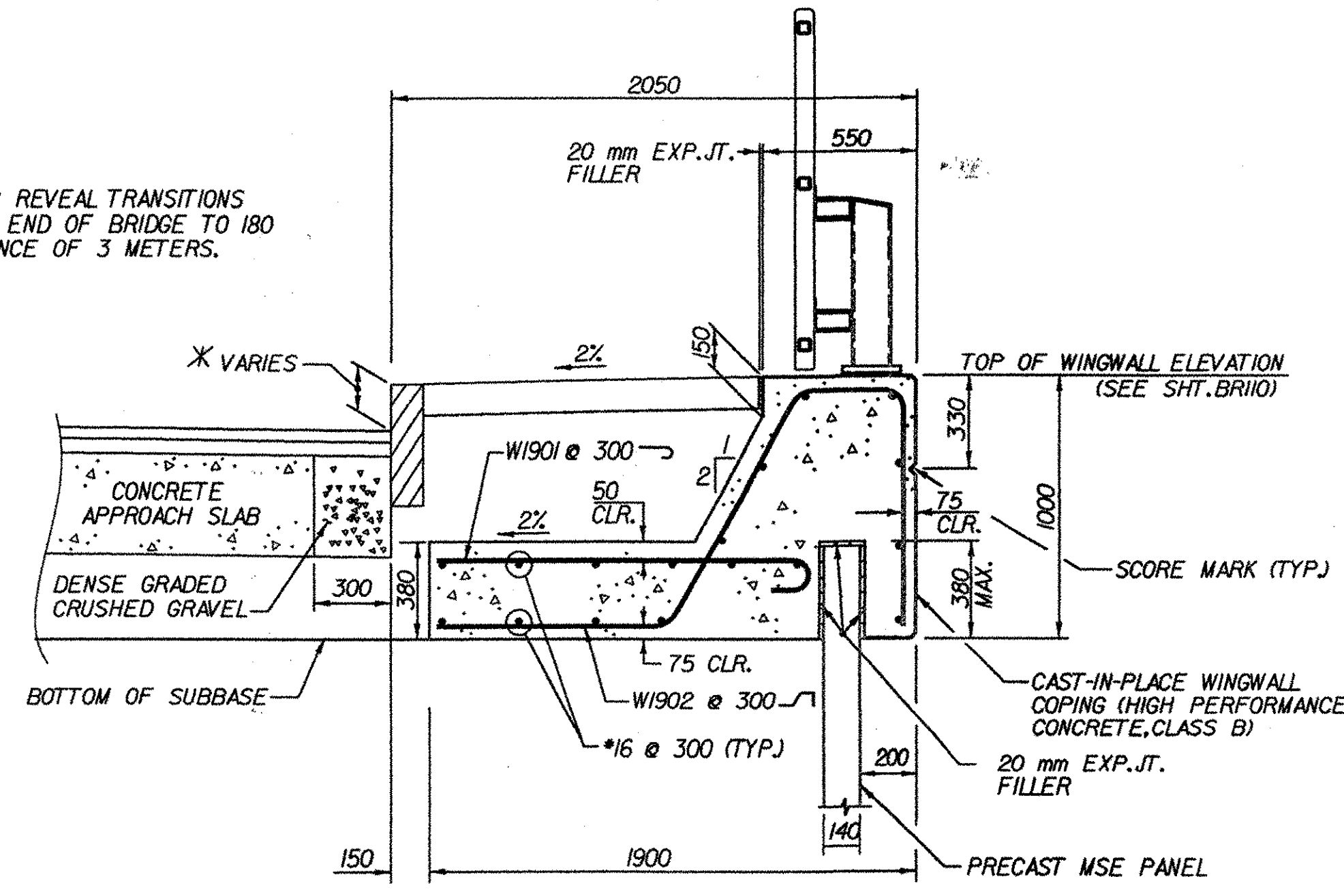


PARTIAL SIDEWALK PLAN
AT STREET LIGHTPOLE
SCALE 1:50



SECTION A-A
SCALE 1:20

* ROADWAY CURB REVEAL TRANSITIONS
FROM 225 AT END OF BRIDGE TO 180
OVER A DISTANCE OF 3 METERS.



SECTION B-B
SCALE 1:20

STATE OF VERMONT
AGENCY OF TRANSPORTATION

Town Of	WATERBURY	Bridge No.	35
Highway No.		Log Sta.	
		Surv. Sta.	
STOWE ST. BRIDGE OVER CENTRAL VERMONT RAILROAD			
WINGWALL COPING DETAILS			
Designed By	R. GINGRAS	Drawn By	A. THIBAUT
Checked By	Date	Bridge Design Supervisor	
T. KNIGHT	3/03	G. BOGUE	Date 3/03
PROJECT	STOWE STREET	PROJECT NO.	BRO 1446(26)
DH CAD Filename: ...\\45_SSB_SideWk.dgn		Plot Date: 01/27/2004	
Bridge Sheet No. BR109		Sheet 45 of 63	