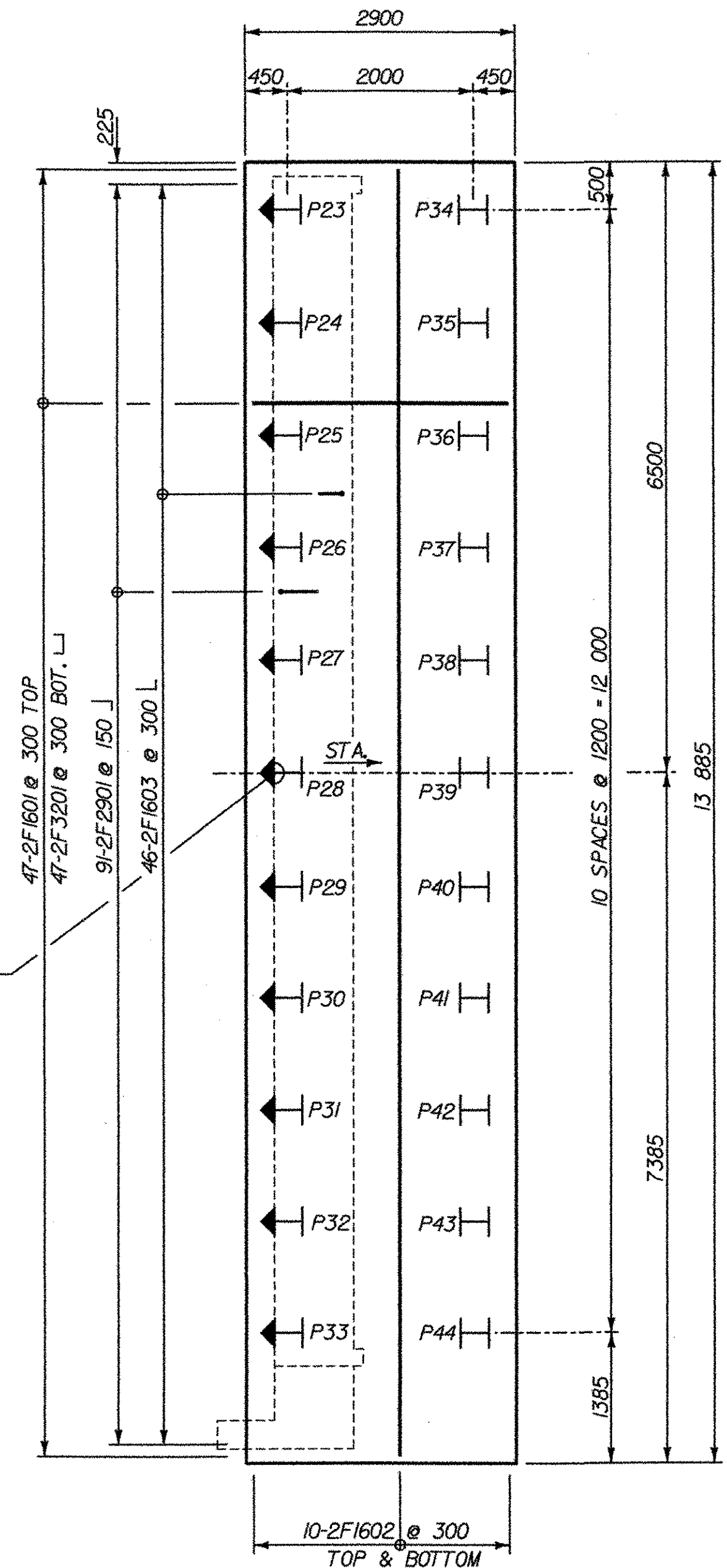


**FRAME LEG NO.1
FOOTING REINFORCING PLAN**
SCALE 1:50

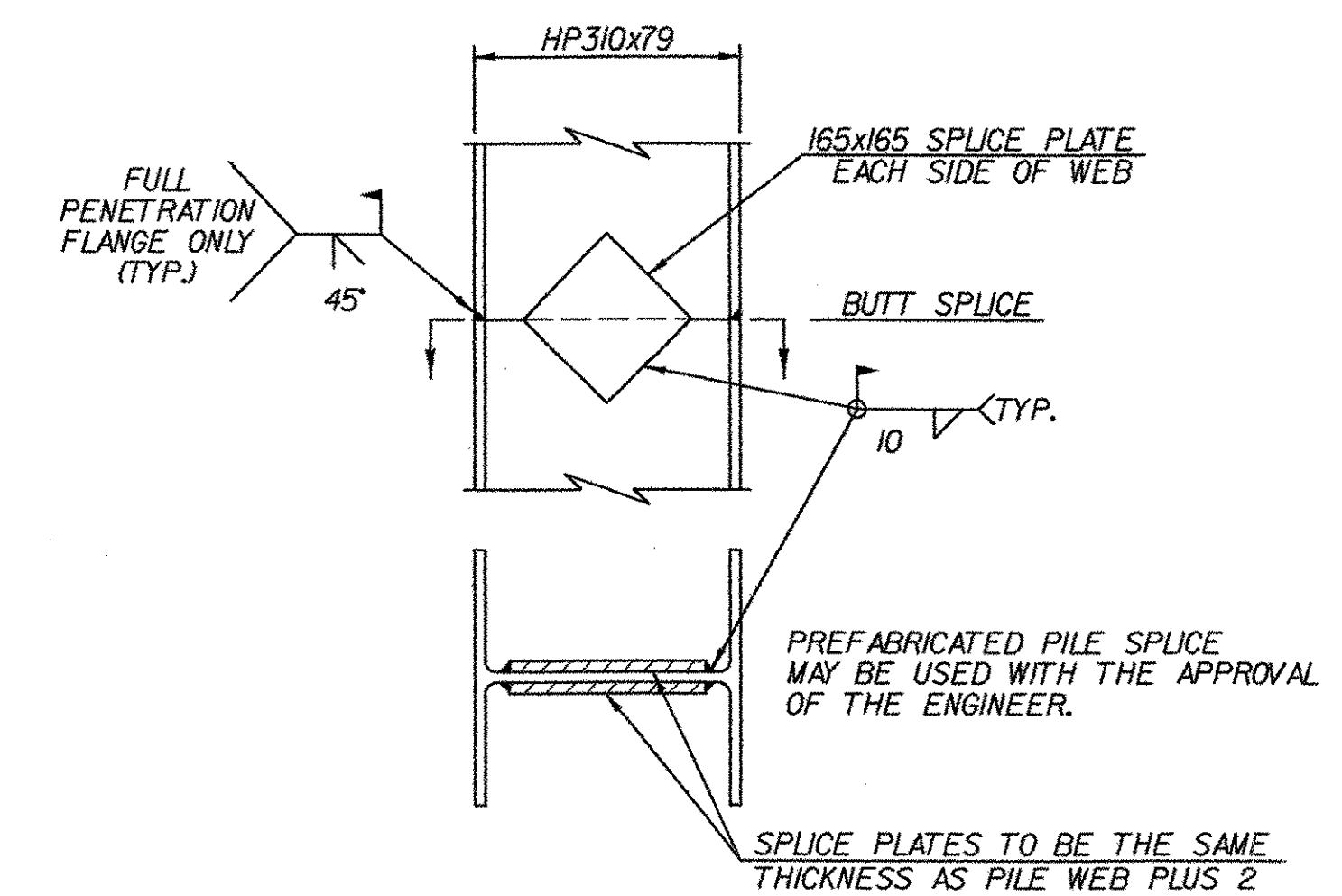
NOTE: SHIFT BOTTOM REINFORCING TO AVOID INTERFERENCE WITH PILES.(TYP.)

FACE OF FRAME LEG NO.1
STA.114.500

FACE OF FRAME LEG NO.2
STA.1124.830



**FRAME LEG NO.2
FOOTING REINFORCING PLAN**
SCALE 1:50



PILE SPlice DETAIL
NTS

NOTES

1. H - INDICATES LOCATION OF A VERTICAL PILE.
↳ - INDICATES LOCATION OF A 4I BATTERED PILE.
2. PILE SIZE: HP310x79
3. WELD PROCEDURES TO BE APPROVED BY THE STRUCTURES ENGINEER PRIOR TO WELDING.

NOTE:

- NF - NEAR FACE
 - FF - FAR FACE
 - EF - EACH FACE
 - ▲ - CUT TO FIT IN FIELD
- 75 CLR. UNLESS OTHERWISE SPECIFIED ON THE PLANS.

**STATE OF VERMONT
AGENCY OF TRANSPORTATION**

Town Of	WATERBURY	Bridge No.	35
Highway No.		Log Sta.	
		Surv. Sta.	
STOWE ST. BRIDGE OVER CENTRAL VERMONT RAILROAD			
FOOTING REINFORCING AND PILE LAYOUT			
Designed By	T. KNIGHT	Drawn By	A. THIBAUT
Checked By	G. BOGUE	Date	3/03
		Bridge Design Supervisor	G. BOGUE Date 3/03
PROJECT	STOWE STREET	PROJECT NO.	BRO 1446(26)
DH CAD Filename: ... \44_ssb footing.dgn		Plot Date:	01/26/2004
Bridge Sheet No. BR108		Sheet 44 of 63	