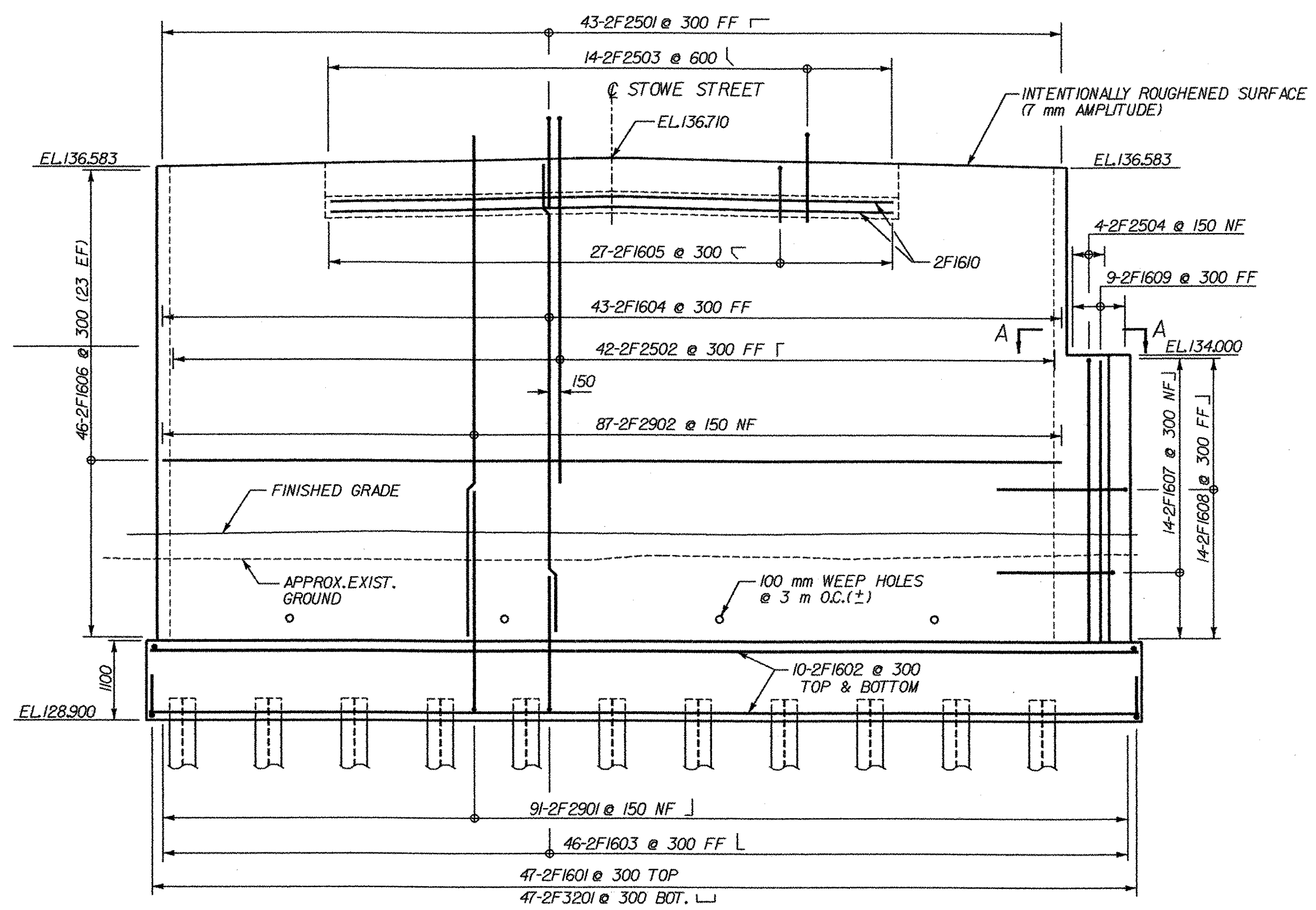
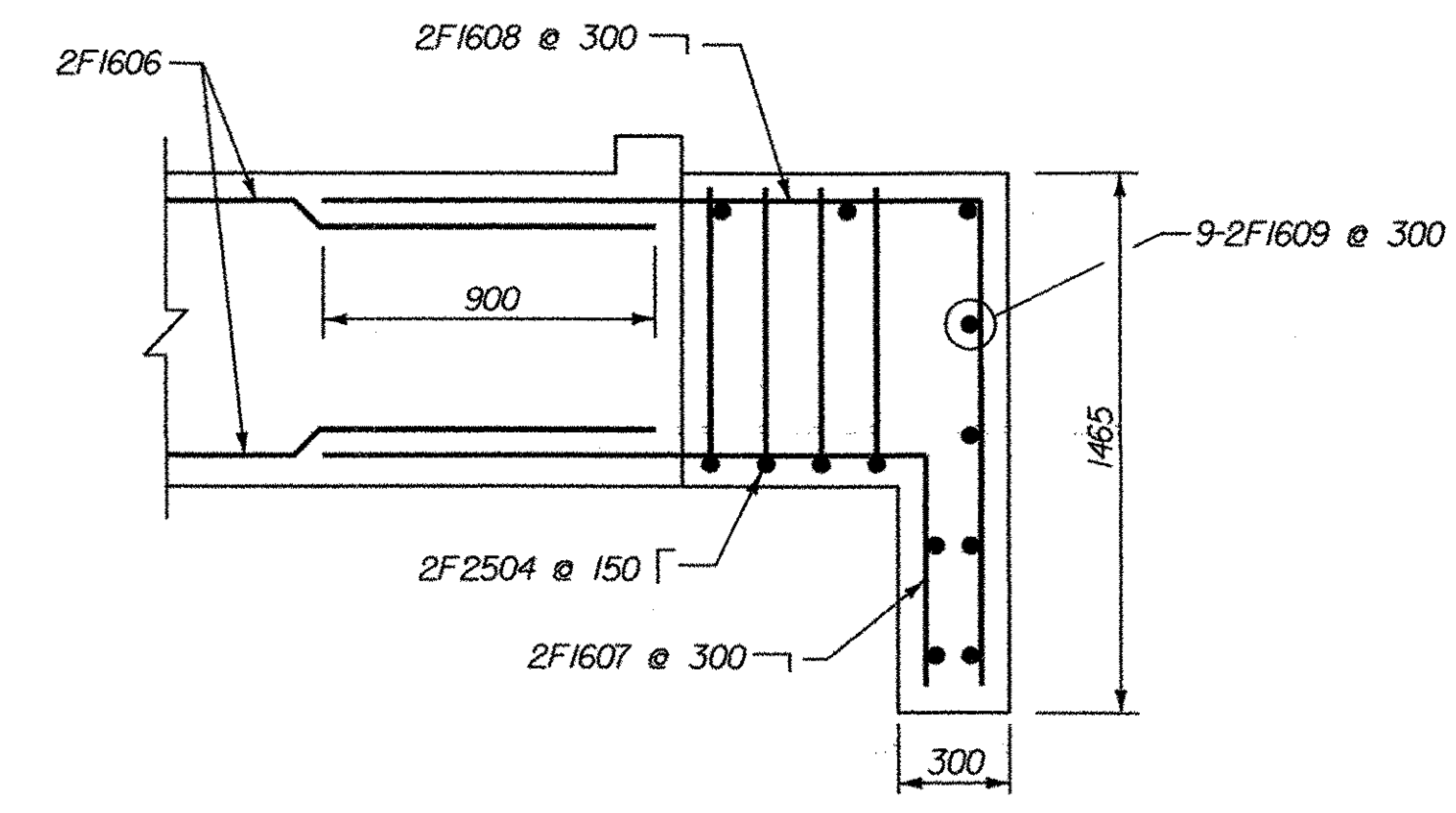


* CONTRACTOR TO PROTECT/SUPPORT EXISTING WALL AS NECESSARY DURING CONSTRUCTION (COST SUBSIDIARY TO ITEM 529J5 REMOVAL OF EXISTING STRUCTURE (MOD.))

PLAN
SCALE 1:50



ELEVATION
SCALE 1:50



SECTION A-A
SCALE 1:20

NOTE:
NF - NEAR FACE
FF - FAR FACE
EF - EACH FACE
▲ - CUT TO FIT IN FIELD
75 CLR. UNLESS OTHERWISE SPECIFIED ON THE PLANS.

**STATE OF VERMONT
AGENCY OF TRANSPORTATION**

Town Of	WATERBURY	Bridge No.	35
Highway No.		Log Sta.	
		Surv. Sta.	
STOWE ST. BRIDGE OVER CENTRAL VERMONT RAILROAD			
FRAME LEG NO. 2 PLAN & ELEVATION			
Designed By	T. KNIGHT	Drawn By	A. THIBAUT
Checked By	Date	Bridge Design Supervisor	
G. BOGUE	3/03	G. BOGUE	Date 3/03
PROJECT	STOWE STREET	PROJECT NO.	BRO 1446(26)
DH CAD Filename:	...V43_SSB_Leg2.dgn	Plot Date:	01/27/2004
Bridge Sheet No.	BRI07	Sheet	43 of 63