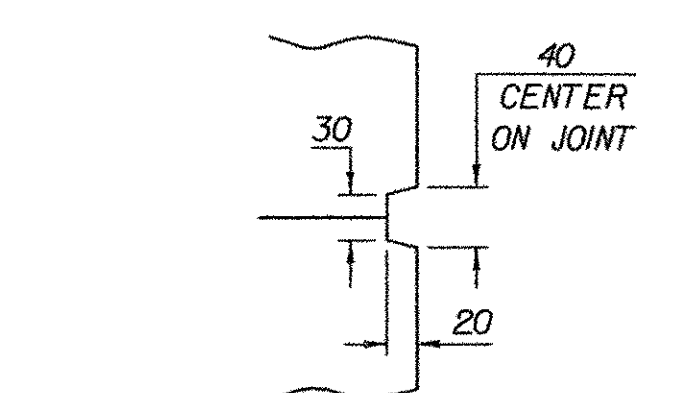
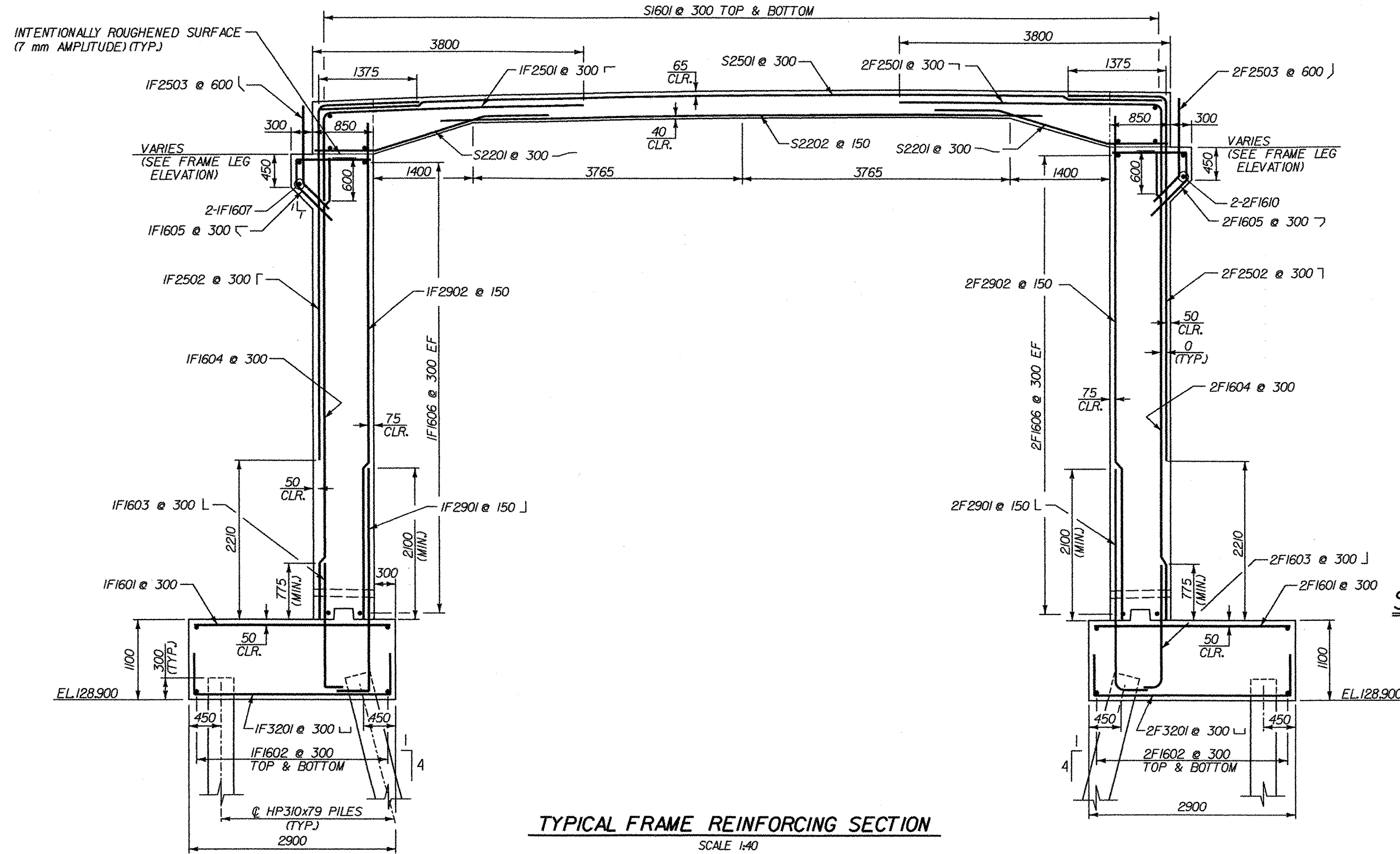
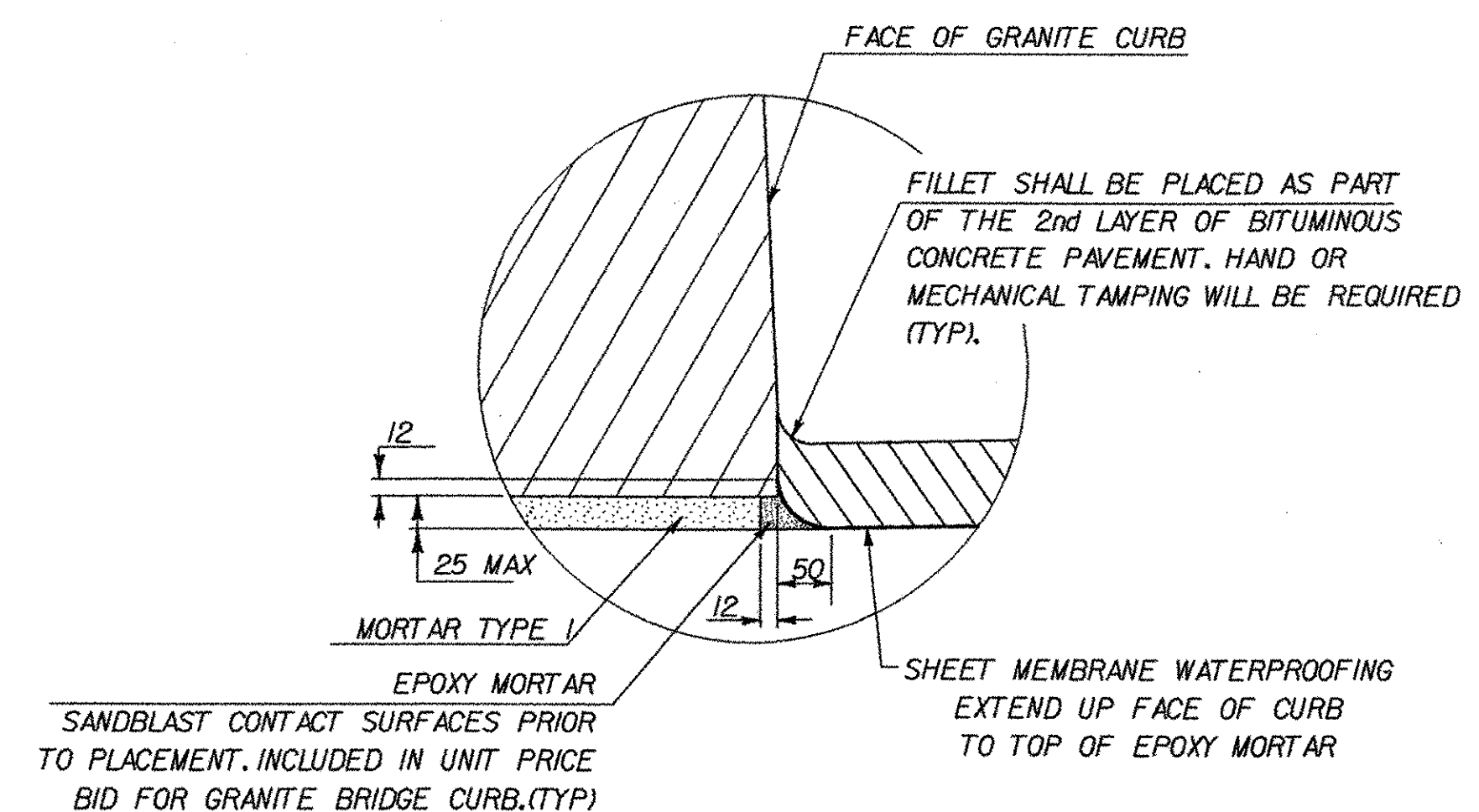


*#3 EPOXY COATED REINFORCING BAR ANCHOR 300 FROM EACH END OF EACH GRANITE SECTION. (TWO ANCHORS PER SECTION) (TYP.) (SUB. TO GRANITE BRIDGE CURB)



NOTE:
NF - NEAR FACE
FF - FAR FACE
EF - EACH FACE
▲ - CUT TO FIT IN FIELD
75 CLR. UNLESS OTHERWISE SPECIFIED ON THE PLANS.

STATE OF VERMONT AGENCY OF TRANSPORTATION	
Town of WATERBURY	Bridge No. 35
Highway No.	Log Sta. Surv. Sta.
STOWE ST. BRIDGE OVER CENTRAL VERMONT RAILROAD	
TYPICAL DECK AND FRAME LEG SECTIONS	
Designed By T. KNIGHT	Drawn By A. THIBAUT
Checked By T. KNIGHT	Bridge Design Supervisor
Date 3/03	Date
PROJECT STOWE STREET	PROJECT NO. BRO 1446(26)
DH CAD Filename: ...39_SSB_TypSects.dgn Plot Date: 01/27/2004	
Bridge Sheet No. BRI03	Sheet 39 of 63