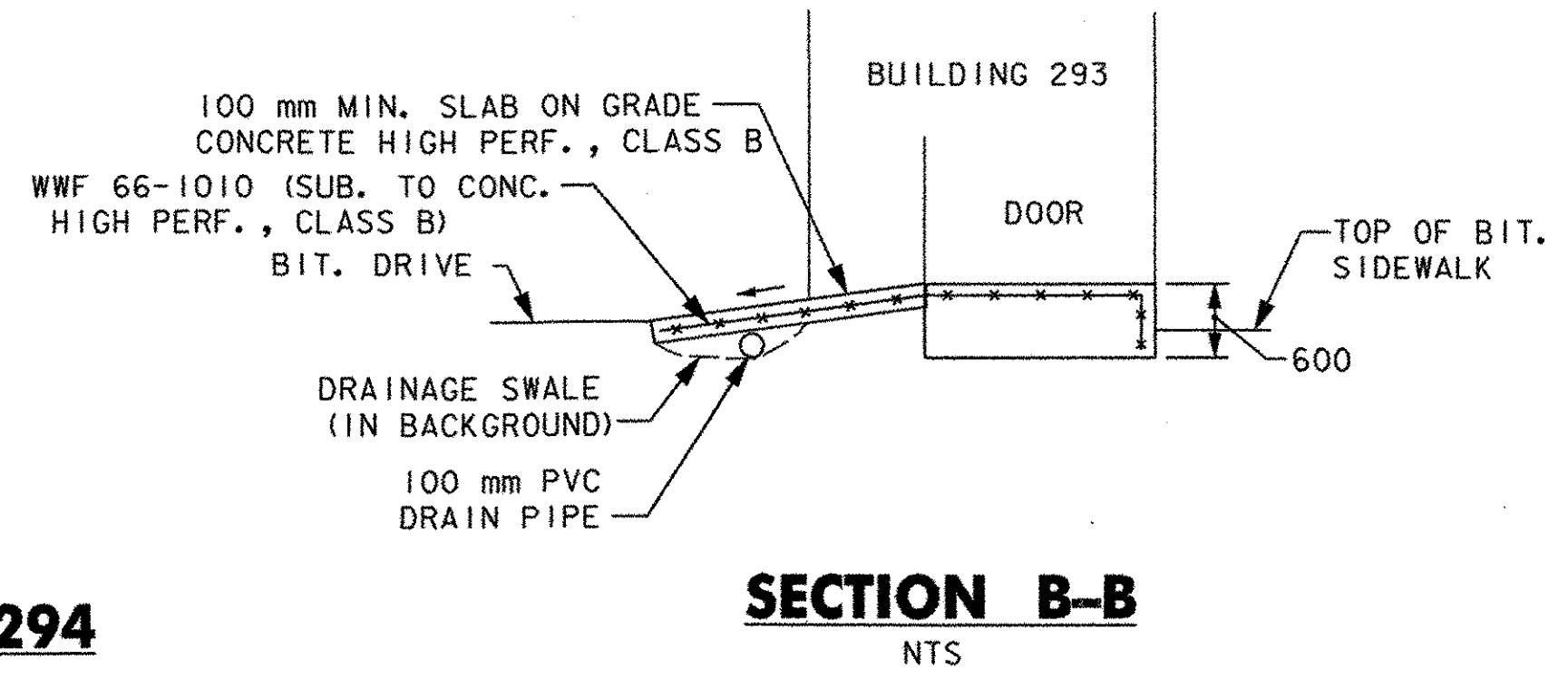


**ENTRANCE DETAIL TO BUILDINGS #293 & #294**  
NOT TO SCALE



**BIDWELL LANE**



PROJECT NAME:	WATERBURY		
PROJECT NUMBER:	BRO 1446(26)		
FILE NAME:	...135-entrance detail.pxf	PLOT DATE:	01/26/2004
PROJECT LEADER:	G EDWARDS/R GINGRAS	DRAWN BY:	M. MEILLEUR
DESIGNED BY:	M. MEILLEUR	CHECKED BY:	R. GINGRAS
<b>ENTRANCE DETAIL TO HOUSES #293 &amp; #294</b>		SHEET 35 OF 63	

...135-entrance detail.pxf 01/26/2004 08:19:26 AM