

**GENERAL NOTES AND SPECIFICATIONS**

1. THE SCOPE OF WORK IS TO PROVIDE ALL LABOR, MATERIALS, SERVICES, SUPPLIES, TOOLS, EQUIPMENT, TRANSPORTATION, AND FACILITIES NECESSARY TO FURNISH AND INSTALL COMPLETE ELECTRICAL WORK AS CALLED FOR ON THE DRAWINGS, SPECIFIED, OR AS MAY REASONABLY BE IMPLIED AS BEING INCIDENTAL TO THIS WORK.
2. SECURE AND PAY COSTS OF PERMITS, CERTIFICATES, LICENSES, INSPECTIONS, AND APPROVALS.
3. DRAWINGS ARE DIAGRAMMATIC AND INDICATE THE GENERAL ARRANGEMENT OF WORK. BASIC DESIGN CONCEPTS INDICATED ARE TO BE EITHER FOLLOWED OR BETTERED. WORK IS INTENDED TO INCLUDE ITEMS NECESSARY FOR PROPER OPERATION AND COMPLETION. FIELD VERIFY ALL LOCATIONS, ELEVATIONS, AND DIMENSIONS.
4. EXECUTE ALL WORK IN A NEAT AND WORKMANLIKE MANNER IN CONFORMANCE WITH BEST MODERN TRADE PRACTICE, BY COMPETENT, EXPERIENCED MECHANICS, PRESENTING A NEAT APPEARANCE WHEN COMPLETED. REPLACE WORK NOT APPROVED BY OWNER WITHOUT ADDITIONAL CHARGE.
5. ALL MATERIALS AND INSTALLATION SHALL BE IN ACCORDANCE WITH THE LATEST EDITION OF THE NATIONAL ELECTRICAL CODE, AND ALL CODES, REGULATIONS AND REQUIREMENTS OF ALL MUNICIPAL, STATE, FEDERAL AND OTHER PUBLIC OR PRIVATE AUTHORITIES WHICH HAVE JURISDICTION. IN EACH CASE, CODES ARE MINIMUM REQUIREMENTS.
6. SHOP DRAWINGS: SUBMIT COMPLETE CATALOG INFORMATION FOR ALL MATERIALS AND EQUIPMENT TO BE PURCHASED AND USED ON THIS PROJECT, AS SPECIFIED ON THE DRAWINGS. DO NOT INSTALL MATERIALS OR EQUIPMENT WITHOUT APPROVAL BY THE OWNER. UNAPPROVED MATERIAL ALREADY INSTALLED SHALL BE SUBJECT TO REMOVAL AND REPLACEMENT WITH APPROVED MATERIALS AT THE CONTRACTOR'S EXPENSE. THE CONTRACTOR IS RESPONSIBLE FOR INSURING THAT APPROVED SUBSTITUTE ITEMS WILL FIT INTO AVAILABLE SPACES AND FOR ANY EXTRA CHARGES BY OTHER TRADES.
7. AS THERE MAY BE VARIOUS CONDITIONS AT THE SITE WHICH DO NOT SHOW ON THE ACCOMPANYING DRAWINGS, OR WHICH ARE AT VARIANCE WITH THE CONDITIONS INDICATED ON THE DRAWINGS, IT IS IMPORTANT THAT EACH BIDDER VISIT THE SITE AND ACQUAINT HIMSELF WITH EXISTING CONDITIONS AND TAKE THESE CONDITIONS INTO CONSIDERATION WHEN PREPARING HIS BID. EACH BIDDER SHALL OBTAIN INFORMATION OR MAKE ANY MEASUREMENT DESIRED. LACK OF KNOWLEDGE RELATIVE TO EXISTING SITE CONDITIONS WILL NOT BE ALLOWED AS A BASIS FOR EXTRA COMPENSATION.
8. THE FINISHED INSTALLATION SHALL BE COMPLETE IN EVERY RESPECT AND DETAIL, TESTED AND LEFT READY IN PERFECT OPERATING CONDITION FOR THE OWNER'S USE.
9. MATERIALS AND EQUIPMENT SHALL BE LISTED BY UNDERWRITERS' LABORATORIES AND SHALL BE INSTALLED IN ACCORDANCE WITH SUCH LISTINGS.
10. CONTRACTOR SHALL GUARANTEE THAT MATERIALS, EQUIPMENT, AND LABOR PROVIDED BY THE CONTRACTOR SHALL BE FREE FROM DEFECTS IN MATERIALS OR LABOR FOR A PERIOD OF ONE YEAR FROM THE DATE OF ACCEPTANCE OF THE WORK DONE UNDER THIS CONTRACT AND SHALL REPLACE PARTS FOUND TO BE DEFECTIVE WITHIN THE PERIOD COVERED BY SUCH GUARANTEE, WITHOUT COST TO OWNER.
11. INSTALLATION SHALL BE MADE IN ACCORDANCE WITH MANUFACTURER'S RECOMMENDATIONS.
12. CONTRACTOR TO CONTACT DIGSAFE IN VERMONT STATE PRIOR TO COMMENCING WORK.
13. CONTRACTOR TO CONTACT UTILITY COMPANY FOR COORDINATION OF NEW ELECTRICAL SERVICE.
14. STREETLIGHT DISTRIBUTION SHALL BE DIRECTED TOWARD CENTERLINE.
15. UTILITY SERVICES SHOWN ARE BASED ON INFORMATION PROVIDED BY PROPERTY OWNER. ACTUAL LOCATION MAY VARY.

**CONCRETE POLE BASE NOTES**

1. TEMPLATE FOR ANCHOR BOLTS, STAINLESS STEEL ANCHOR BOLTS, NUTS AND WASHERS TO BE OBTAINED BY CONTRACTOR PRIOR TO CONSTRUCTION OF BASES.
2. ALL EXPOSED METAL HARDWARE EXCEPT ANCHOR BOLTS SHALL BE STAINLESS STEEL.
3. GROUT TO ELIMINATE ANY SPACE BETWEEN CONCRETE BASE AND METAL BASE OF FIXTURE.

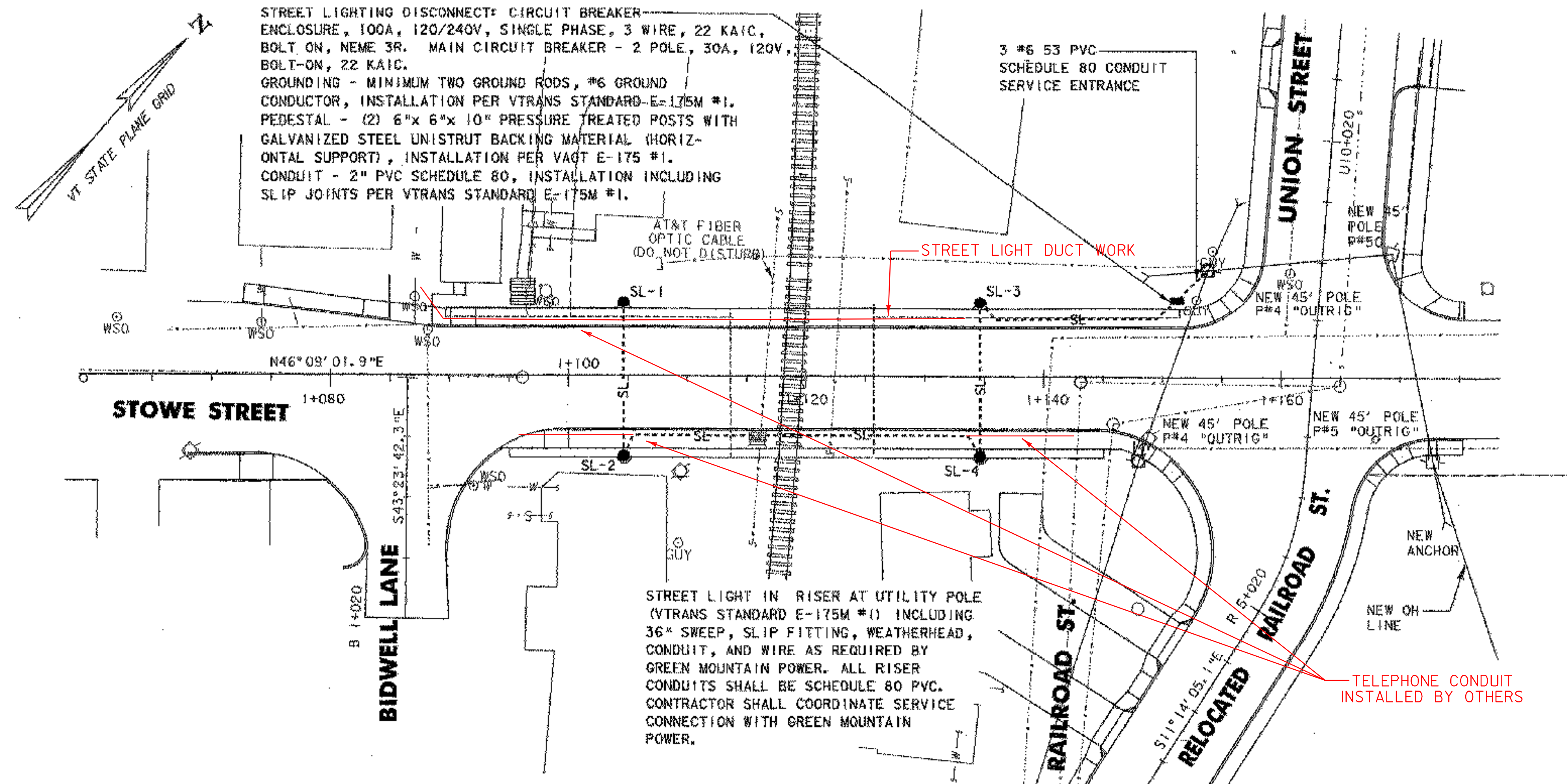
**CONDUIT AND CONDUCTOR NOTES**

1. MAXIMUM OF 360 DEG. IN TOTAL BENDS PERMITTED IN A SINGLE RUN OF CONDUIT. THE CONTRACTOR SHALL MAKE EVERY ATTEMPT TO KEEP THE TOTAL DEGREES OF BENDS UNDER 300.
2. LIGHTS SHALL BE FUSED AT BASE WITH Y-TYPE FUSE KIT (EQUAL TO HOMAC (FLOOD SEAL) FYC-6 AND 10 AMP FUSE. CONDUCTORS IN POLES SHALL BE 2" O.D. 1" I.D.
3. CIRCUIT CONDUCTORS INCLUDING NEUTRAL CONDUCTOR SHALL BE CLEARLY IDENTIFIED AT EVERY POLE BASE.
4. UTILIZE APPROVED DUAL-RATED PARALLEL TAP EQUAL TO ILSCO GTA SERIES WITH INSULATED COVER FOR TAPS AT POLE BASE.

NOTE: ALL DIMENSIONS ARE IN MILLIMETERS UNLESS OTHERWISE NOTED.



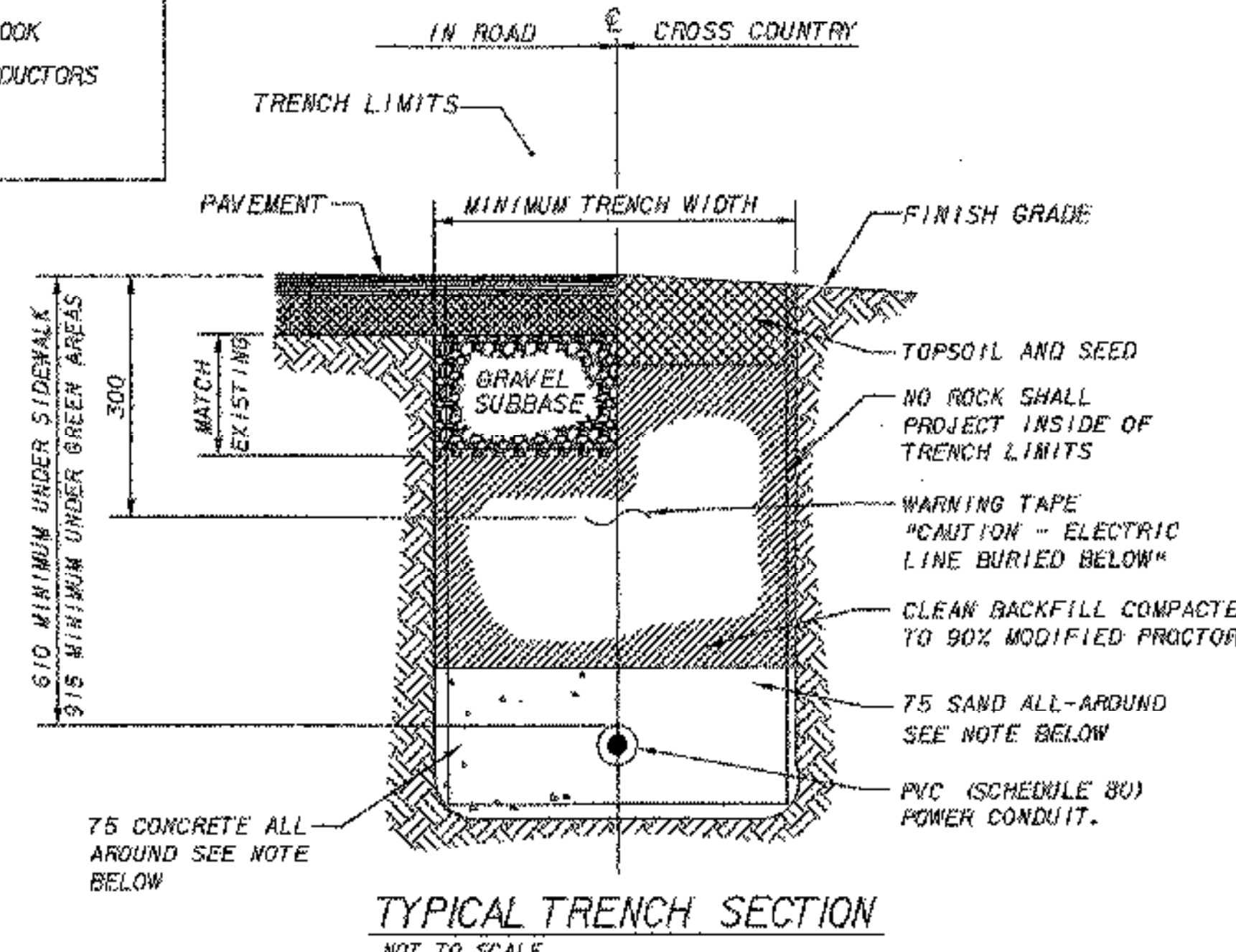
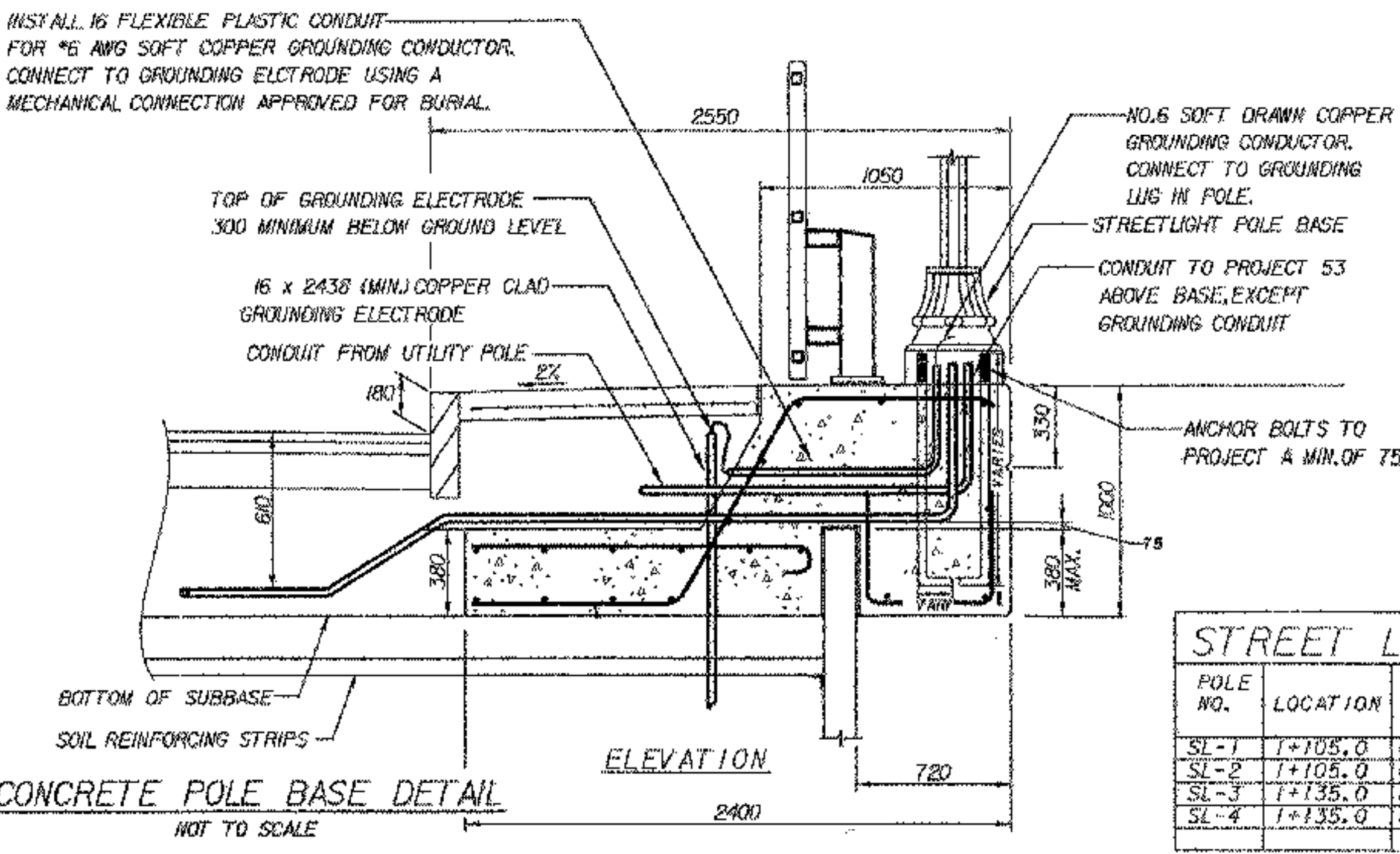
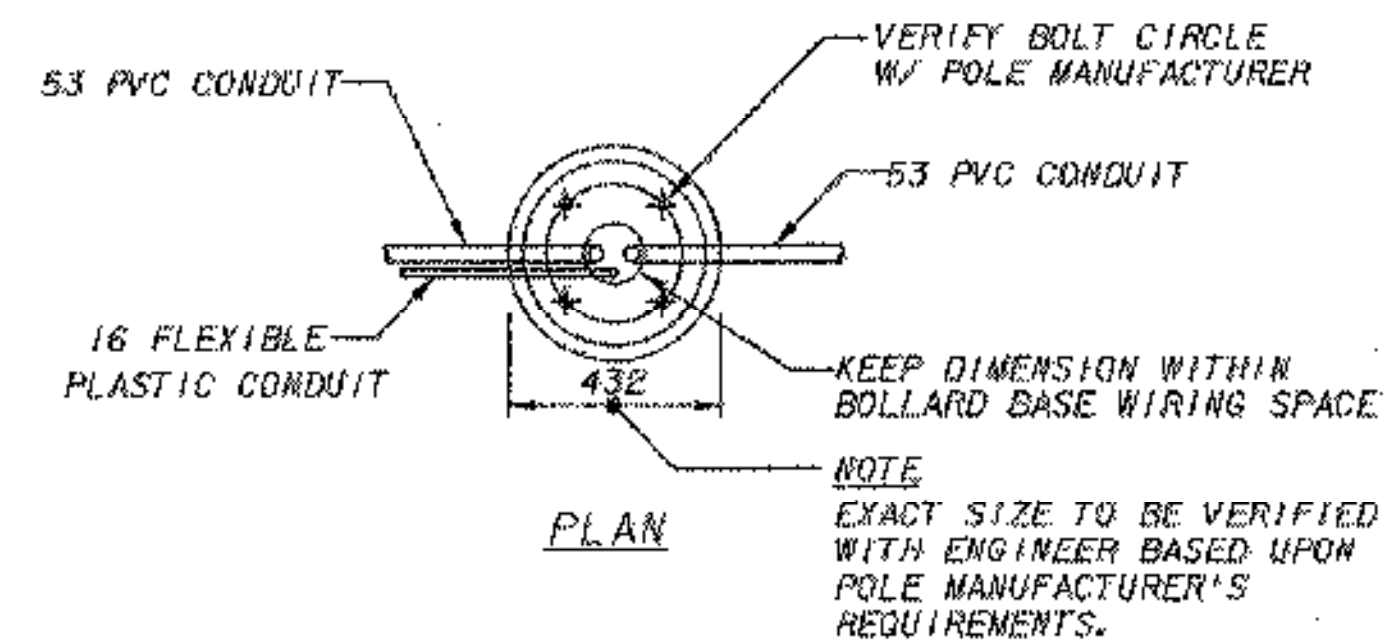
PROJECT NAME: WATERBURY  
 PROJECT NUMBER: BRO 1446(26)  
 FILE NAME: ...25-lighting plan.ppt  
 PROJECT LEADER: G EDWARDS/R GINGRAS  
 DESIGNED BY: L.A. BLACK  
 LIGHTING PLAN  
 PLOT DATE: 01/26/2004  
 DRAWN BY: P.B. HILL  
 CHECKED BY: R. GINGRAS  
 SHEET 25 OF 63



STREET LIGHTING DISCONNECT: CIRCUIT BREAKER ENCLOSURE, 100A, 120/240V, SINGLE PHASE, 3 WIRE, 22 KAIC, BOLT ON, NEMA 3R. MAIN CIRCUIT BREAKER - 2 POLE, 30A, 120V, BOLT-ON, 22 KAIC.  
 GROUNDING - MINIMUM TWO GROUND RODS, #6 GROUND CONDUCTOR, INSTALLATION PER VTRANS STANDARD E-175M #1.  
 PEDESTAL - (2) 6"x 6"x 10" PRESSURE TREATED POSTS WITH GALVANIZED STEEL UNISTRUT BACKING MATERIAL (HORIZONTAL SUPPORT), INSTALLATION PER VAGT E-175 #1.  
 CONDUIT - 2" PVC SCHEDULE 80, INSTALLATION INCLUDING SLIP JOINTS PER VTRANS STANDARD E-175M #1.

**STREET LIGHTING LEGEND**

●	STREET LIGHT AND DESIGNATION NUMBER
○	LUMINAIRE: LUMEC 175W MH-150-SFR-PCFC-SE-3-240-PH-BKT-X
○	POLE: LUMEC RA40-16-BKT-X
○	LAMP: 175W MH, MOGUL BASE, COATED, 70 CRI, 3800K
---	UNDERGROUND ELECTRICAL CONDUIT AND CONDUCTORS
---	2" Ø, #8, 53 SCHED. 80 PVC CONDUIT
□	UTILITY POLE, BY GMP



**STREET LIGHTING LOCATIONS**

POLE NO.	LOCATION	OFF SET	BREAK AWAY	LUMINAIRE WATTS	TYPE	MOUNTING HEIGHT
SL-1	1+105.0	6.6 LT.	NO	175	111	5.486M
SL-2	1+105.0	6.6 RT.	NO	175	111	5.486M
SL-3	1+135.0	6.6 LT.	NO	175	111	5.486M
SL-4	1+135.0	6.6 RT.	NO	175	111	5.486M

