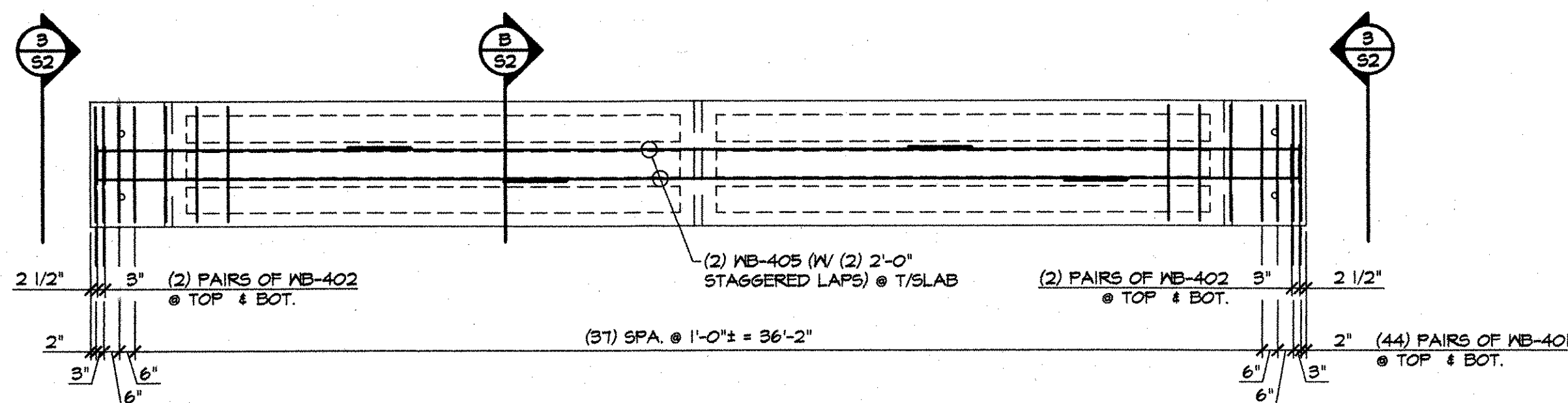
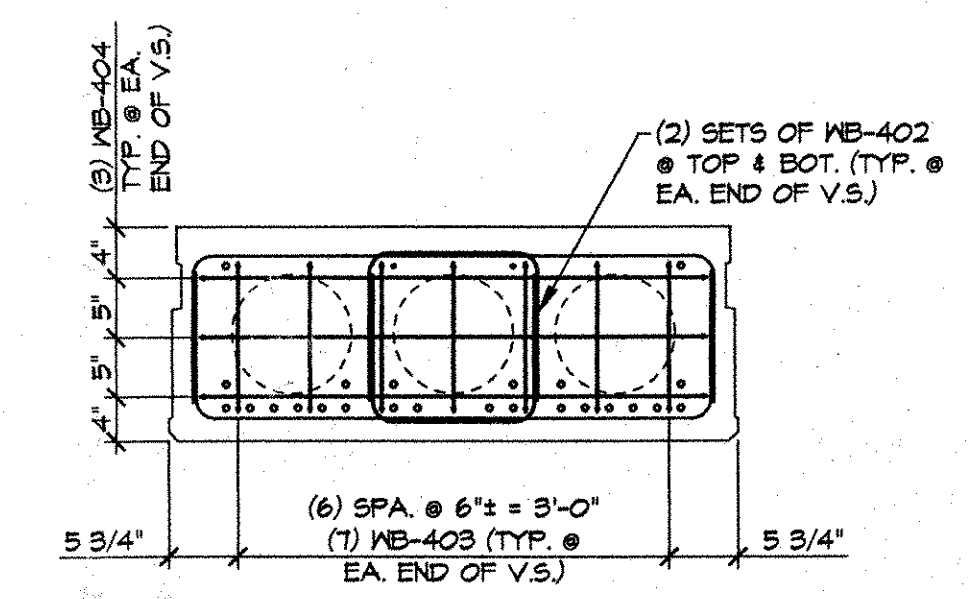


1 DIMENSIONAL PLAN VIEW IN FORM
S2 1/4" = 1'-0"

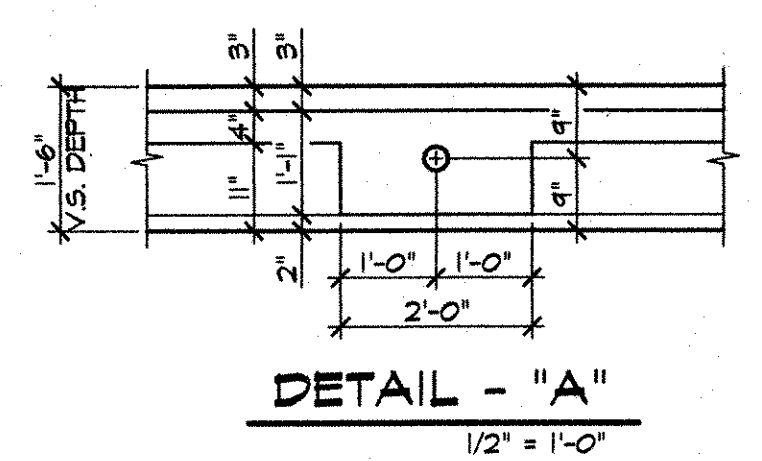


2 REINFORCING PLAN VIEW IN FORM
S2 1/4" = 1'-0"

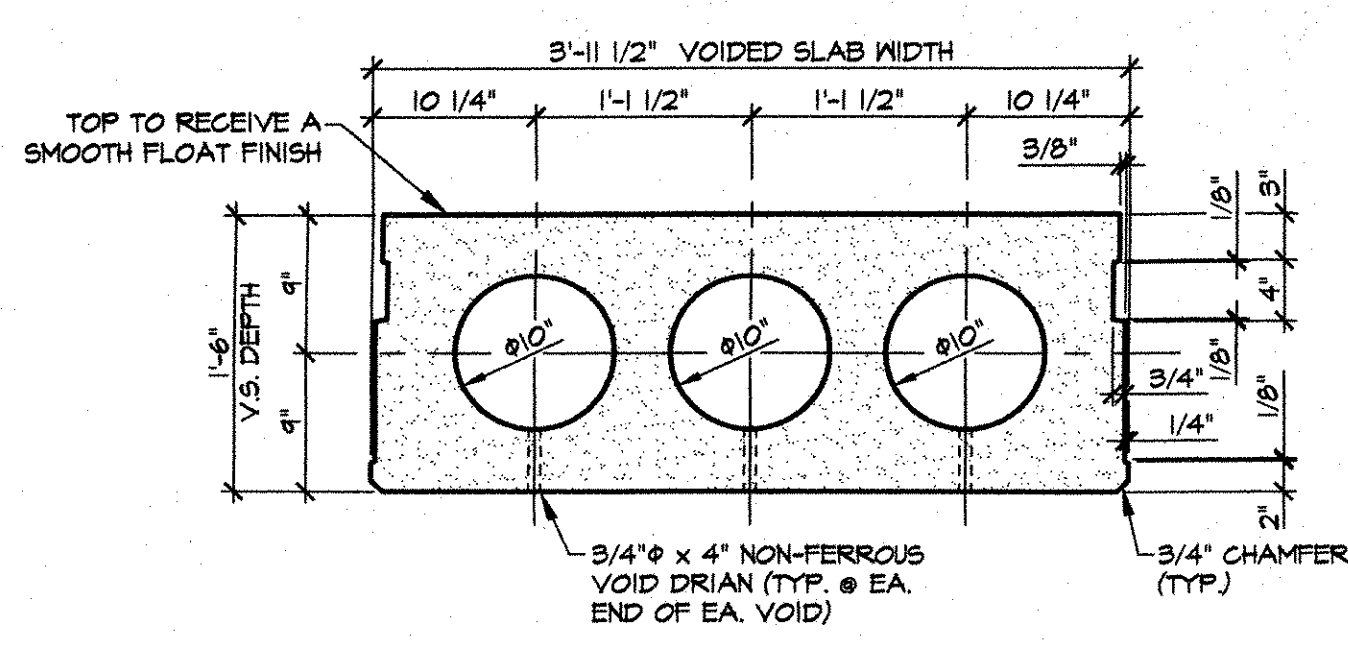
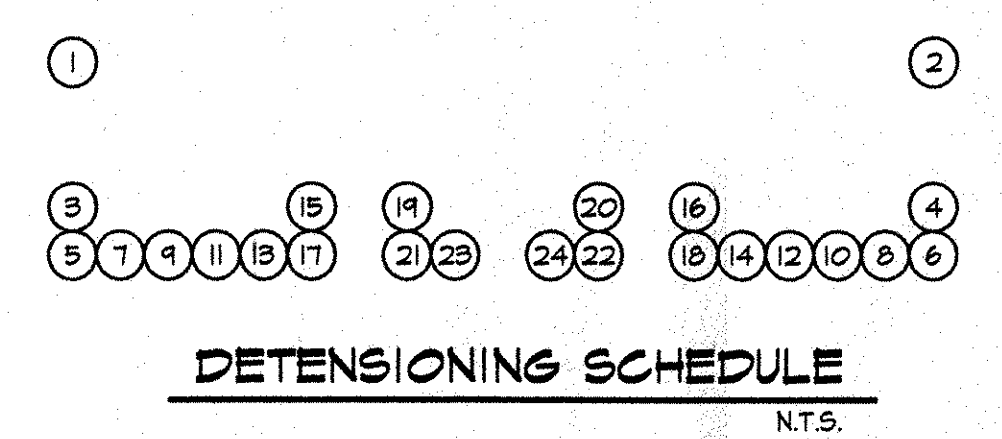
SHOP NOTE:
ADJUST REINFORCING AS REQUIRED TO CLEAR P.T. DUCTS, SLEEVES, ETC.



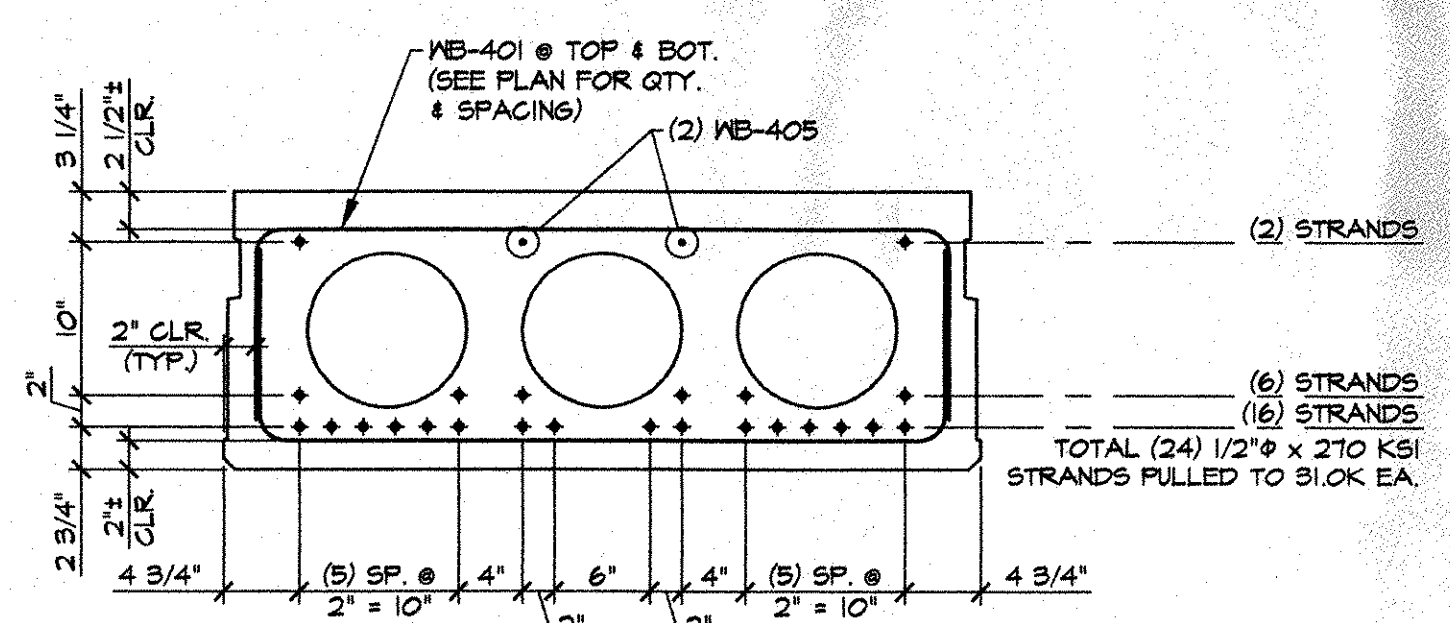
3 END BLOCK REINF. SECTION
S2 3/4" = 1'-0"



A DETAIL - "A"
S2 1/2" = 1'-0"



A DIMENSIONAL SECTION
S2 1" = 1'-0"



B REINFORCING SECTION
S2 1" = 1'-0"

MATERIAL LIST / SLAB			
ITEM	MARK	DESCRIPTION	QTY.
1	401	#4 BENT BAR	88
2	402	#4 BENT BAR	8
3	403	#4 BENT BAR	14
4	404	#4 BENT BAR	6
5	405	#4 CONTINUOUS BAR (W/ (2) 2'-0" STAGGERED LAP)	2
6			
7			
8			
9			
10			
11			
12			
13			
14			
15			
16			
17		10" x 15'-10" VOID	6
18		3/4" x 4" NON-FERROUS VOID DRAIN	12
19		DOUBLE 1/2" STRAND LIFTING LOOPS	4
20			

J.P. CARRARA & SONS, INC.
NOV 12 2003
ISSUED FOR PRODUCTION

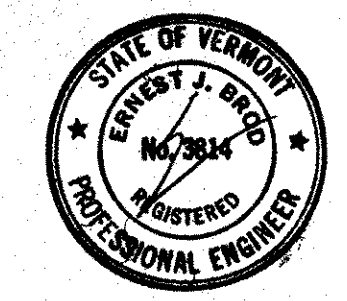
APPROVAL STAMP:

Reviewed
 Rejected

Furnish as Corrected
 Revise and Resubmit
 Submit Specified Item

This review is only for general conformance with the design, contract, and the information given in the Construction Documents. Corrections or omissions made on the shop drawings during this review do not relieve the contractor from compliance with the requirements of the plans and specifications. Review of a contract item shall not include review of an assembly of which the item is a component. The Contractor is responsible for dimensions to be confirmed and corrected at the jobsite. Information that pertains solely to the fabrication process or to the means, methods, techniques, sequences and procedures of construction, coordination of the Work with that of all other trades and performing of work in a safe and satisfactory manner.

McFarland-Johnson, Inc.
Date: 11/25/03
By: R. J. Carrara



J.P. CARRARA & SONS, INC.
Precast & Prestress Manufacturer
2464 CASE STR., MIDDLEBURY, VERMONT 05751 Phone: (802)388-6361 Fax: (802)388-9010

R.C. CONTRACTORS
CONTRACTOR
GLOVER, VERMONT

STATE OF VERMONT
AGENCY OF TRANSPORTATION

TOWN OF WATERBURY
TH B-4637 LOOMIS HILL ROAD (T.H. @ CLASS B) BRIDGE NO. 14

P/S VOIDED SLAB DETAILS

DATE: JULY 18, 2003
SCALE: NOTED
CHKD: -- DFTM: B.L.
JOB NO: 23185-03
DWG. NO: S2