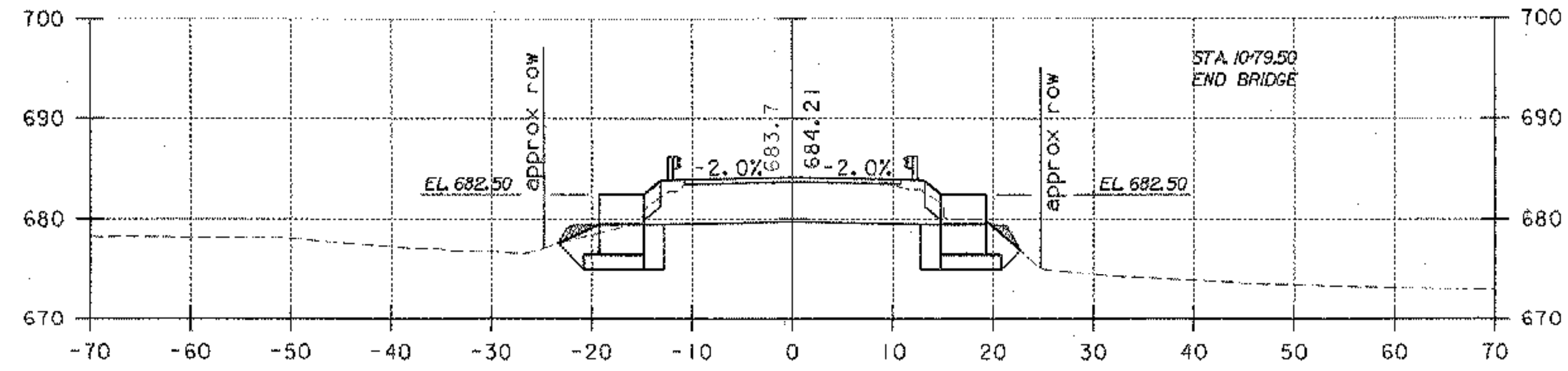
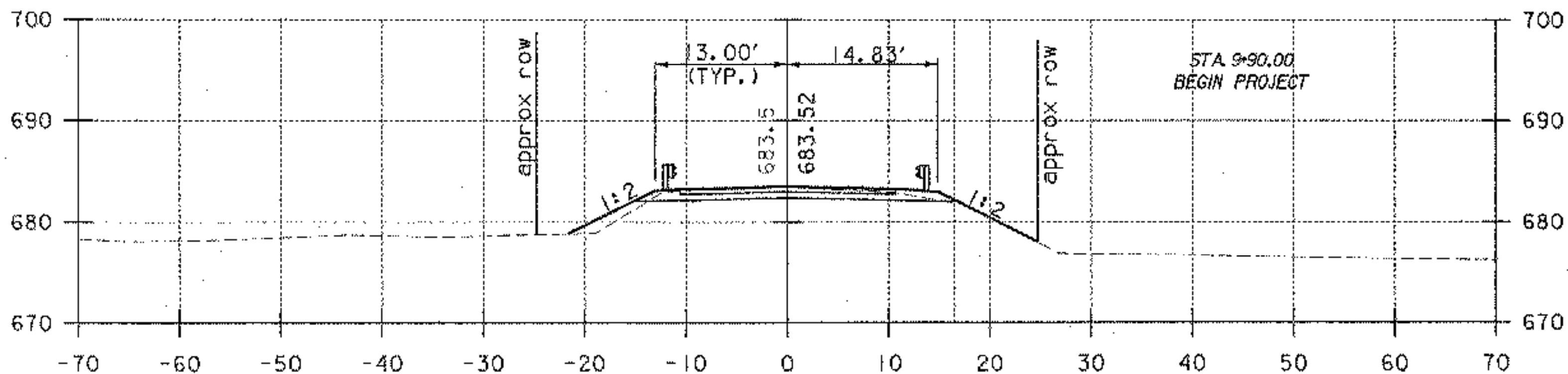


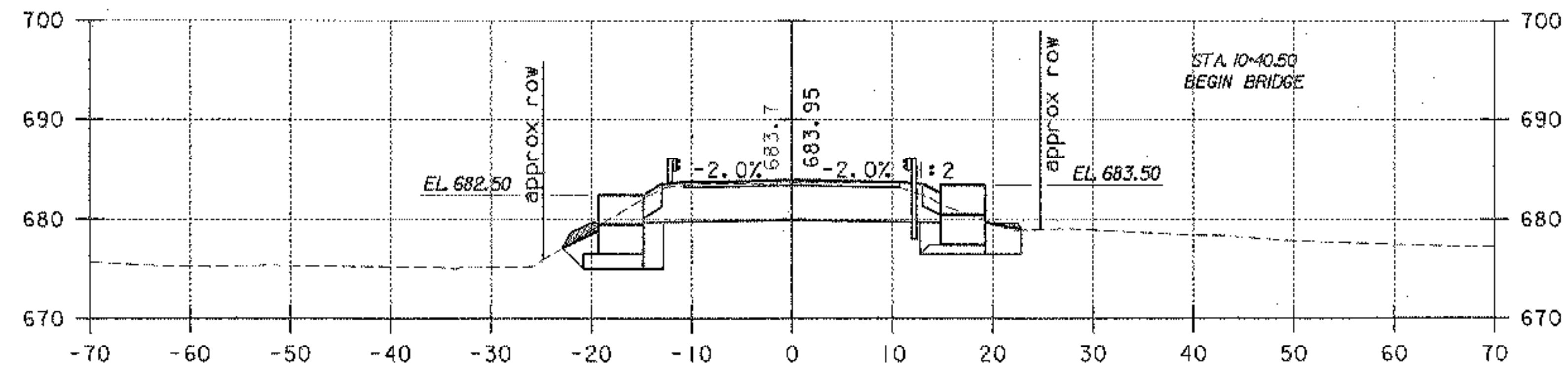
10+00



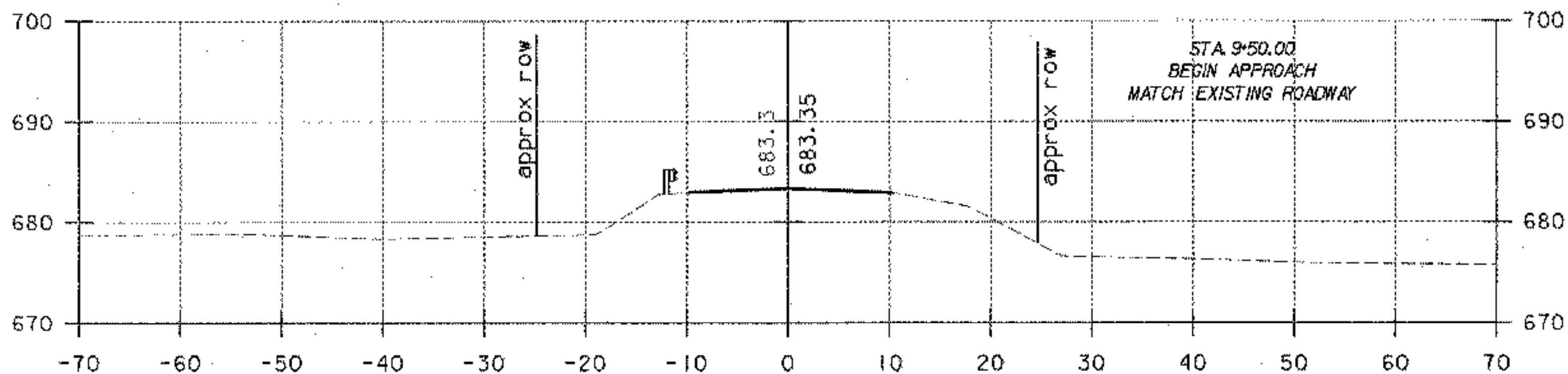
10+79.50



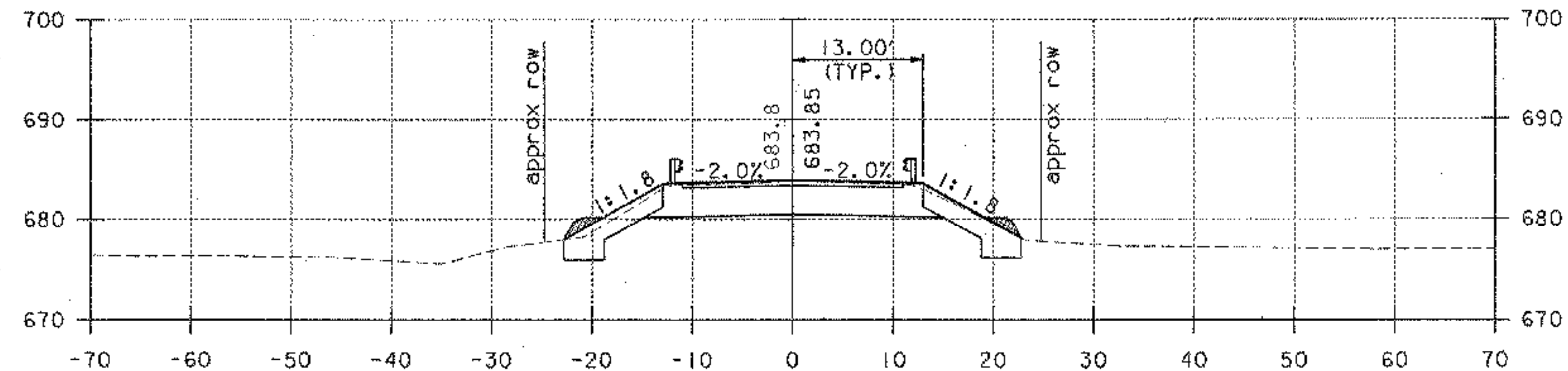
9+75



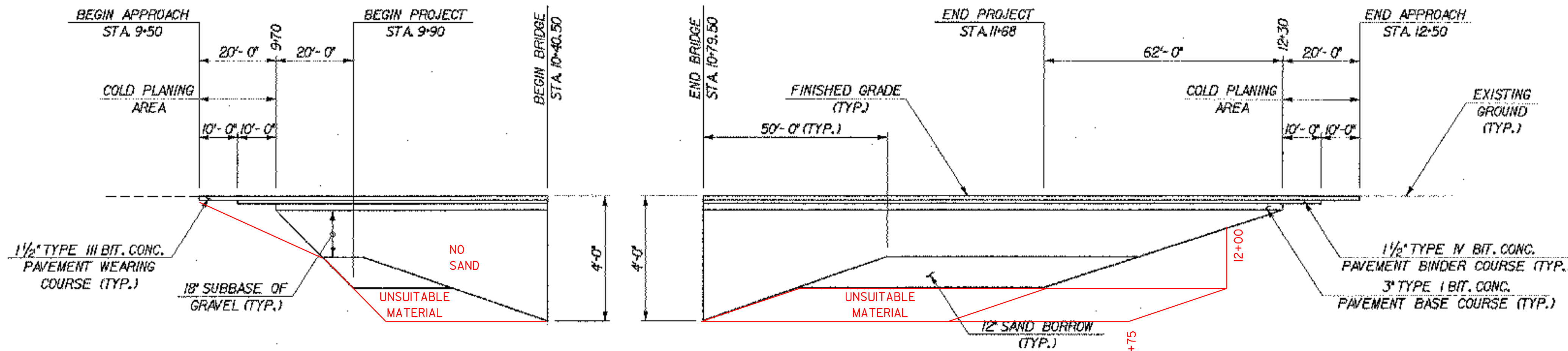
10+40.50



9+50



10+25



SUBBASE TRANSITION DETAIL
NOT TO SCALE

STATE OF VERMONT AGENCY OF TRANSPORTATION	
Town Of WATERBURY	Bridge No. 14
Highway No. 6	Log Sta. Surv. Sta.
LOOMIS HILL ROAD OVER THATCHER BROOK ROADWAY CROSS SECTIONS	
Designed By L. WIXSON	Drawn By P. DUSTIN
Checked By R. JOY	Date 03/03 Bridge Design Supervisor M. ZIDEL
PROJECT WATERBURY	PROJECT NO. TH 3-9637
I.G.C. Info. m:\549138-Waterbury\BRIDGE\600n\1278.rxdgn	
Bridge Sheet No.	Sheet 16 of 18



PLOTTED 05-MAY-2003