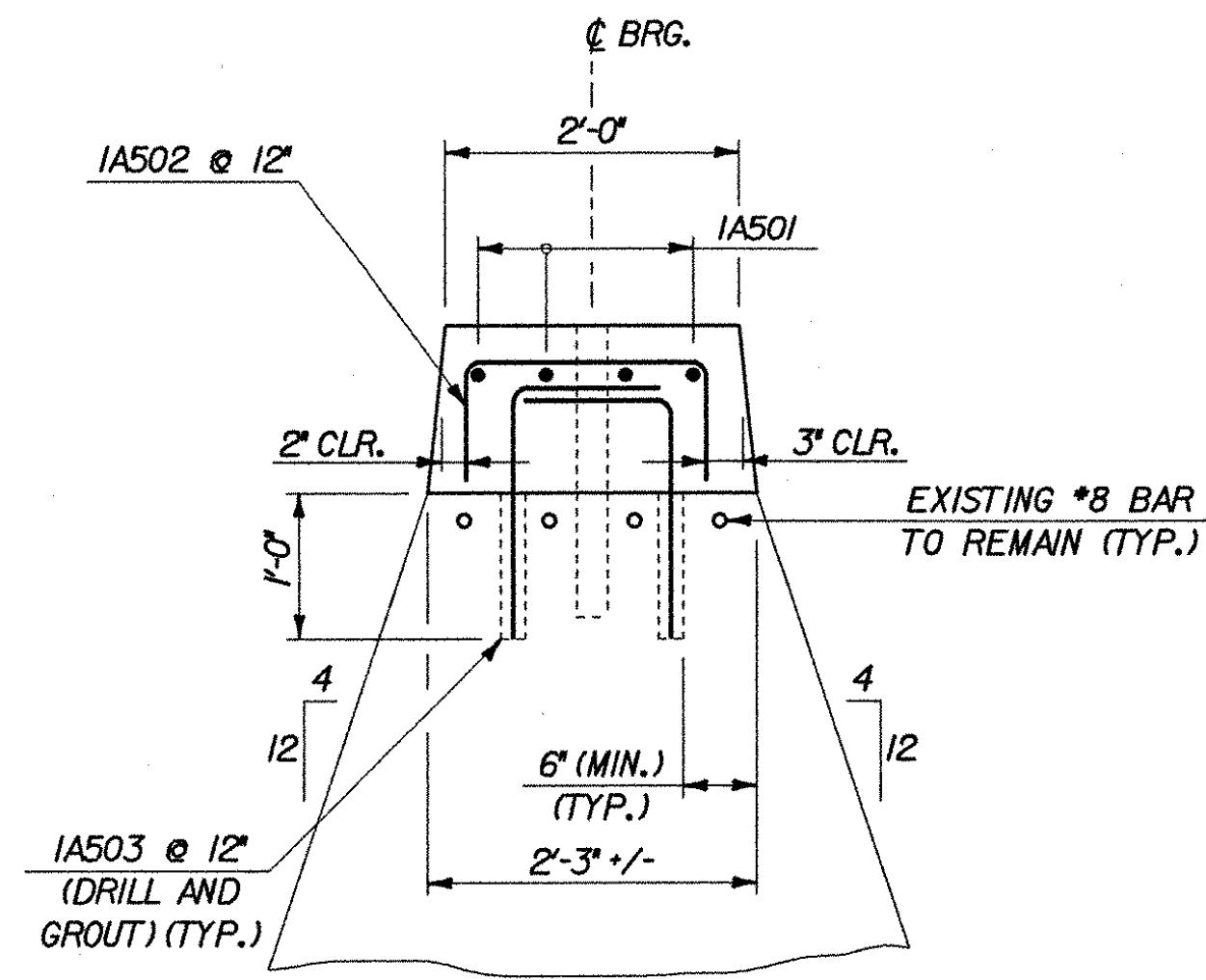
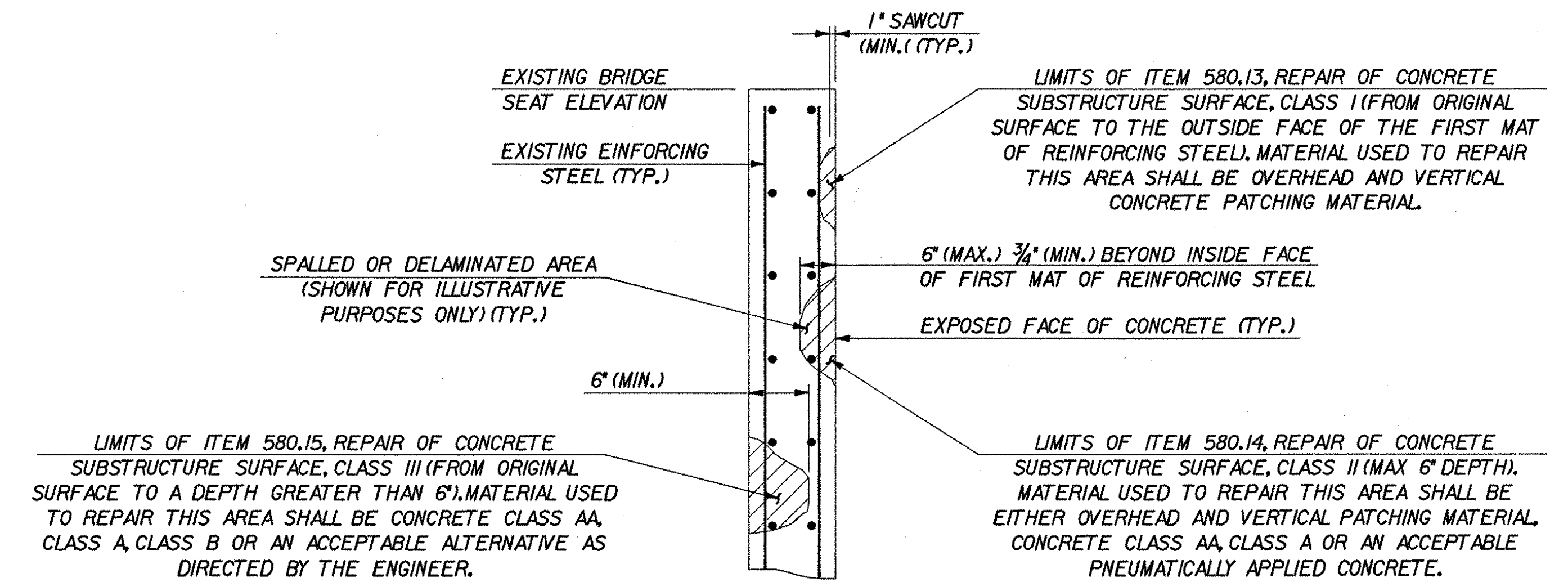


SECTION A-A
SCALE: 3/4" = 1'-0"

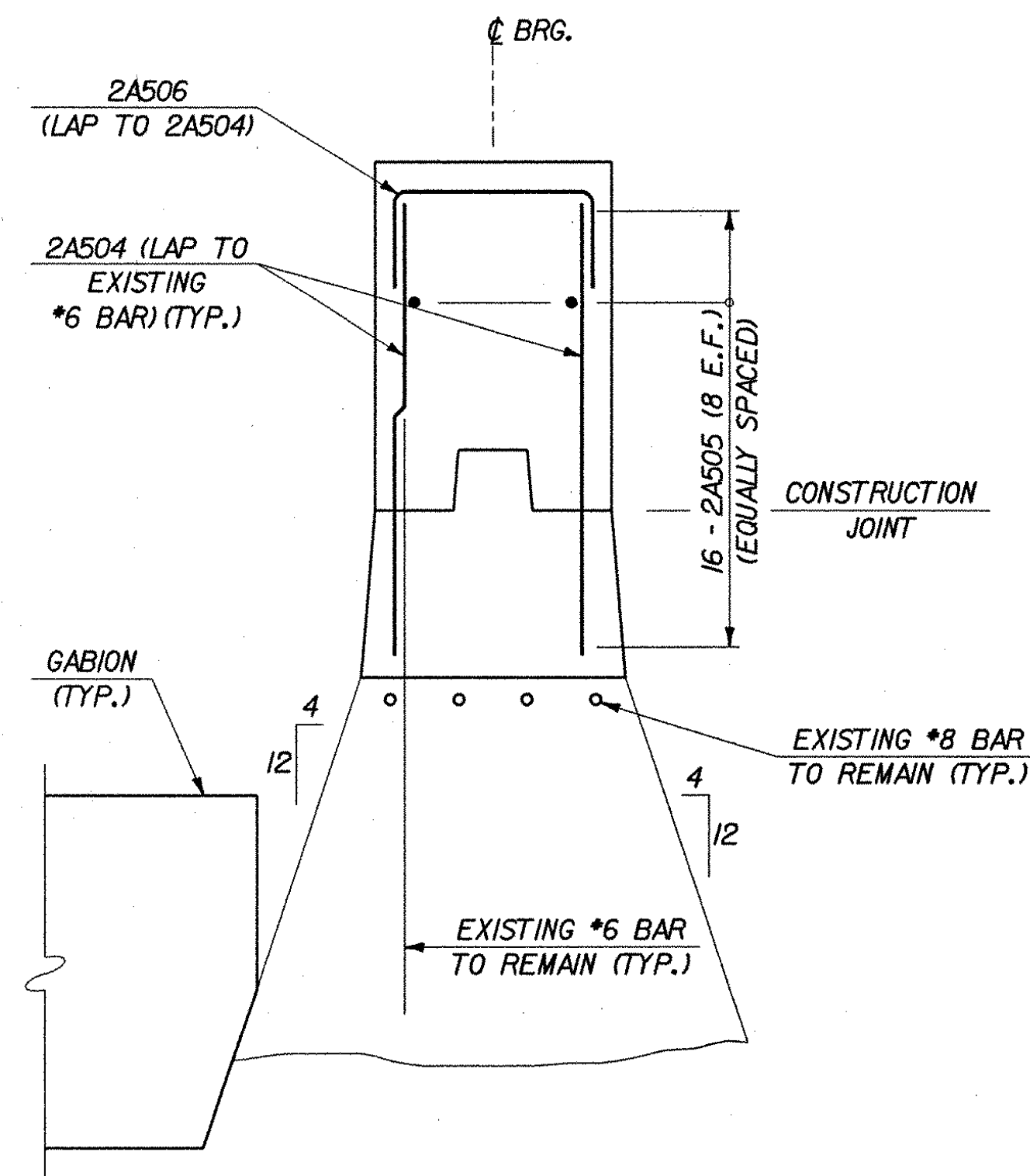


SECTION B-B
SCALE: 3/4" = 1'-0"

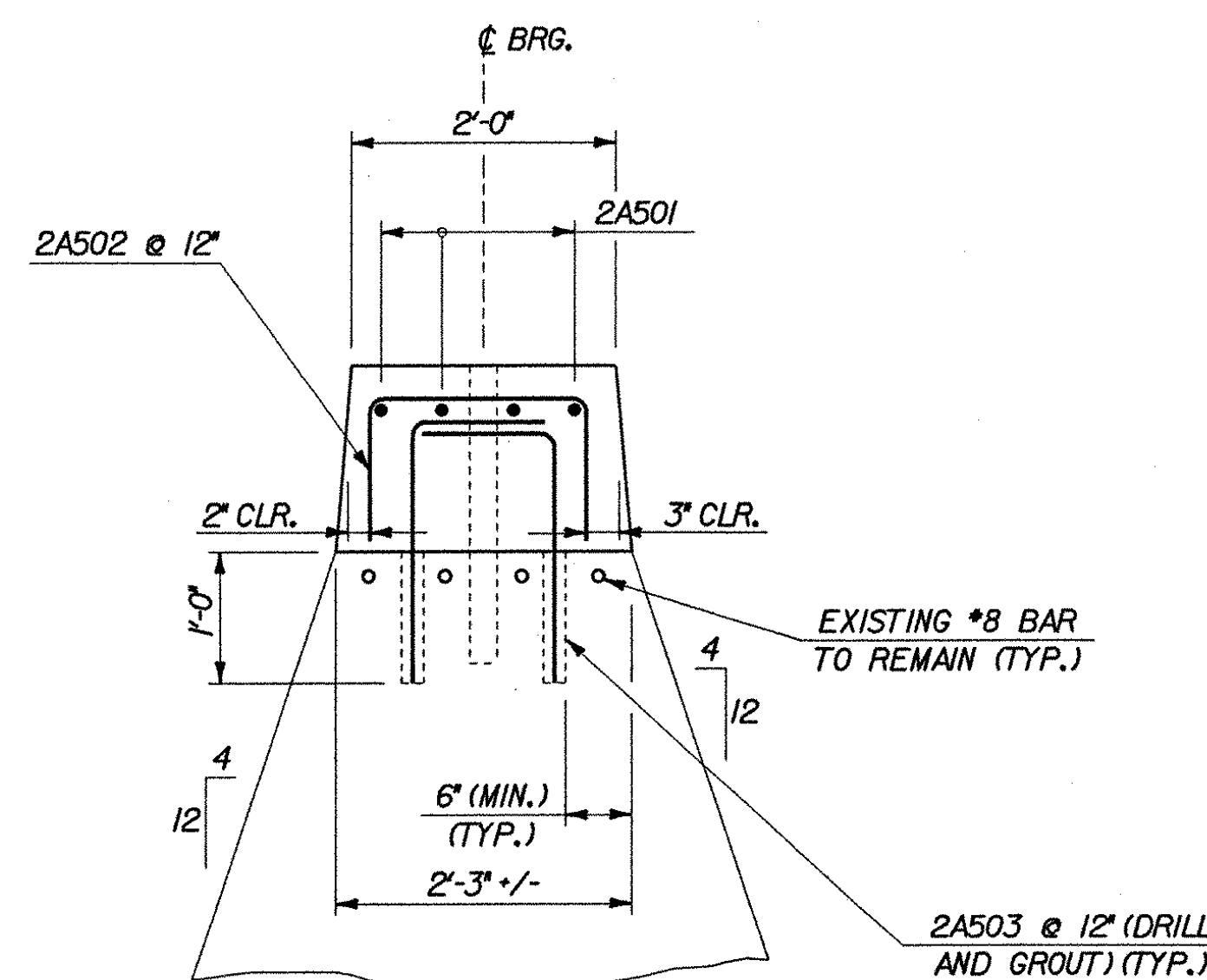


CONCRETE SUBSTRUCTURE REPAIR DETAIL
NOT TO SCALE

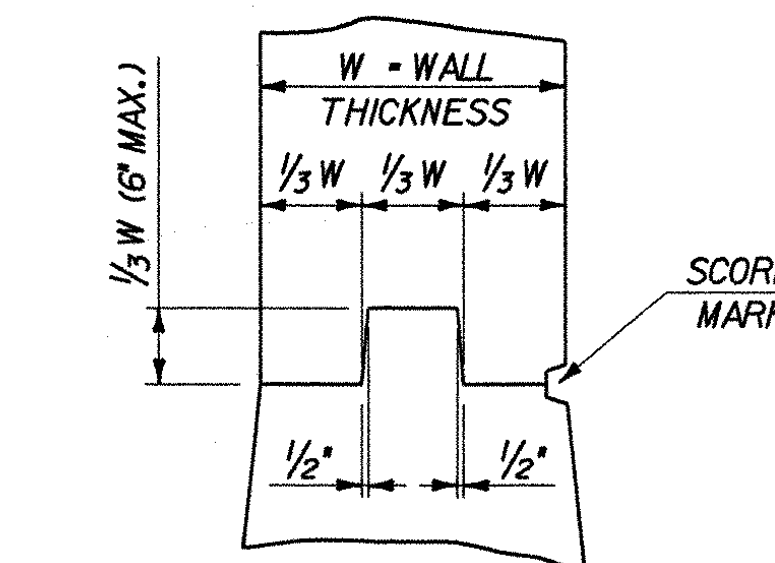
LIMITS OF REMOVAL



SECTION C-C
SCALE: 3/4" = 1'-0"



SECTION D-D
SCALE: 3/4" = 1'-0"



TYPICAL CONCRETE CONSTRUCTION JOINT
SCALE: 3/4" = 1'-0"

NOTE

- REMOVAL OF EXISTING CONCRETE TO A DEPTH GREATER THAN SPECIFIED FOR ITEM 580.14 SHALL BE PAID UNDER THE ITEM 580.15, REPAIR OF CONCRETE SUBSTRUCTURE SURFACE, CLASS III.

STATE OF VERMONT AGENCY OF TRANSPORTATION			
Town Of	WATERBURY	Bridge No.	14
Highway No.	6	Log Sta.	
		Surv. Sta.	
LOOMIS HILL ROAD OVER THATCHER BROOK ABUTMENT DETAILS			
Designed By	L. WIXSON	Drawn By	P. DUSTIN
Checked By	R. JOY	Bridge Design Supervisor	M. ZYDEL
Date	03/03	Date	03/03
PROJECT	WATERBURY	PROJECT NO.	TH 3-9637
I.G.C. Info. mn\549108-Waterbury\BRIDGE\6cont\1\278ad3.dgn			
Bridge Sheet No.		Sheet	14 of 18

