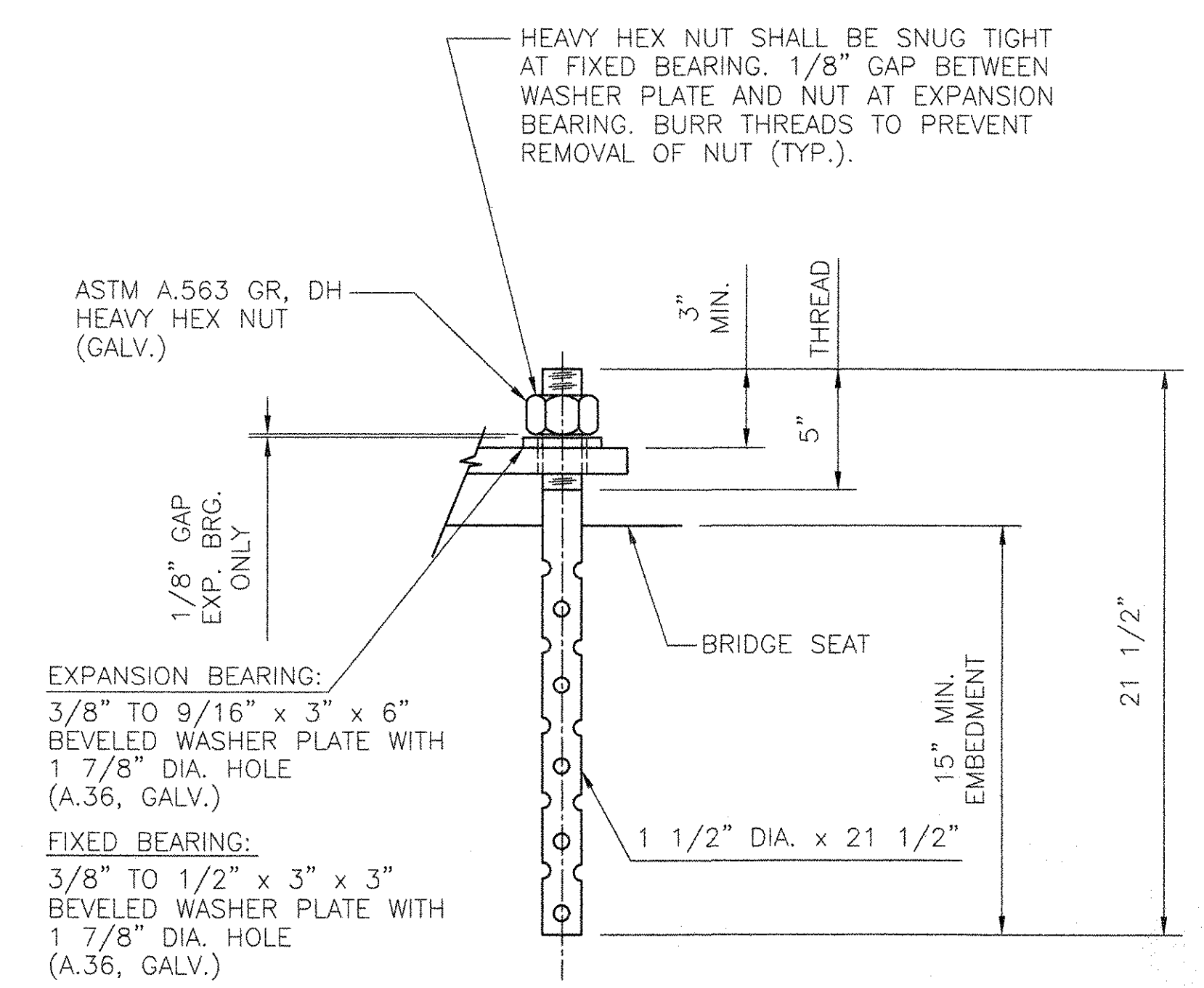


1 7/8" DIA. x 3 3/8" LONG  
SLOTTED HOLE IN SOLE  
PLATE FOR 1 1/2" DIA.  
ANCHOR BOLTS  
(SEE ANCHOR BOLT DETAIL)

PLAN VIEW

SIDE ELEVATION  
SOLE PLATE ONLY



HEAVY HEX NUT SHALL BE SNUG TIGHT  
AT FIXED BEARING. 1/8" GAP BETWEEN  
WASHER PLATE AND NUT AT EXPANSION  
BEARING. BURR THREADS TO PREVENT  
REMOVAL OF NUT (TYP.).

ASTM A.563 GR. DH  
HEAVY HEX NUT  
(GALV.)

1/8" GAP  
EXP. BRG.  
ONLY

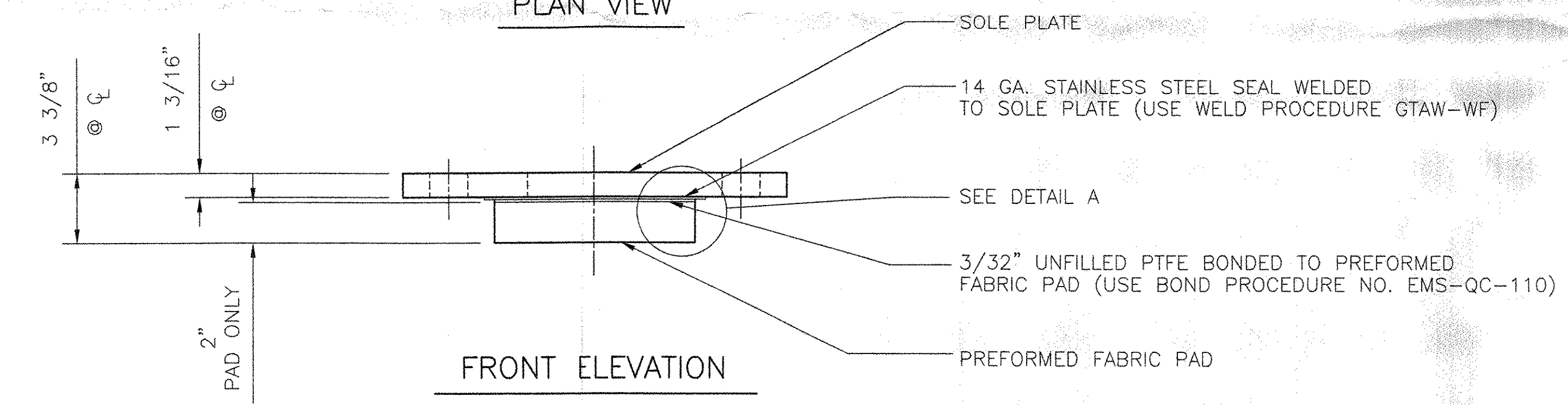
EXPANSION BEARING:  
3/8" TO 9/16" x 3" x 6"  
BEVELED WASHER PLATE WITH  
1 7/8" DIA. HOLE  
(A.36, GALV.)

FIXED BEARING:  
3/8" TO 1/2" x 3" x 3"  
BEVELED WASHER PLATE WITH  
1 7/8" DIA. HOLE  
(A.36, GALV.)

ANCHOR BOLT DETAIL

ASTM F.1554 GR. 55 SWEDGED AND GALVANIZED  
ANCHOR ROD

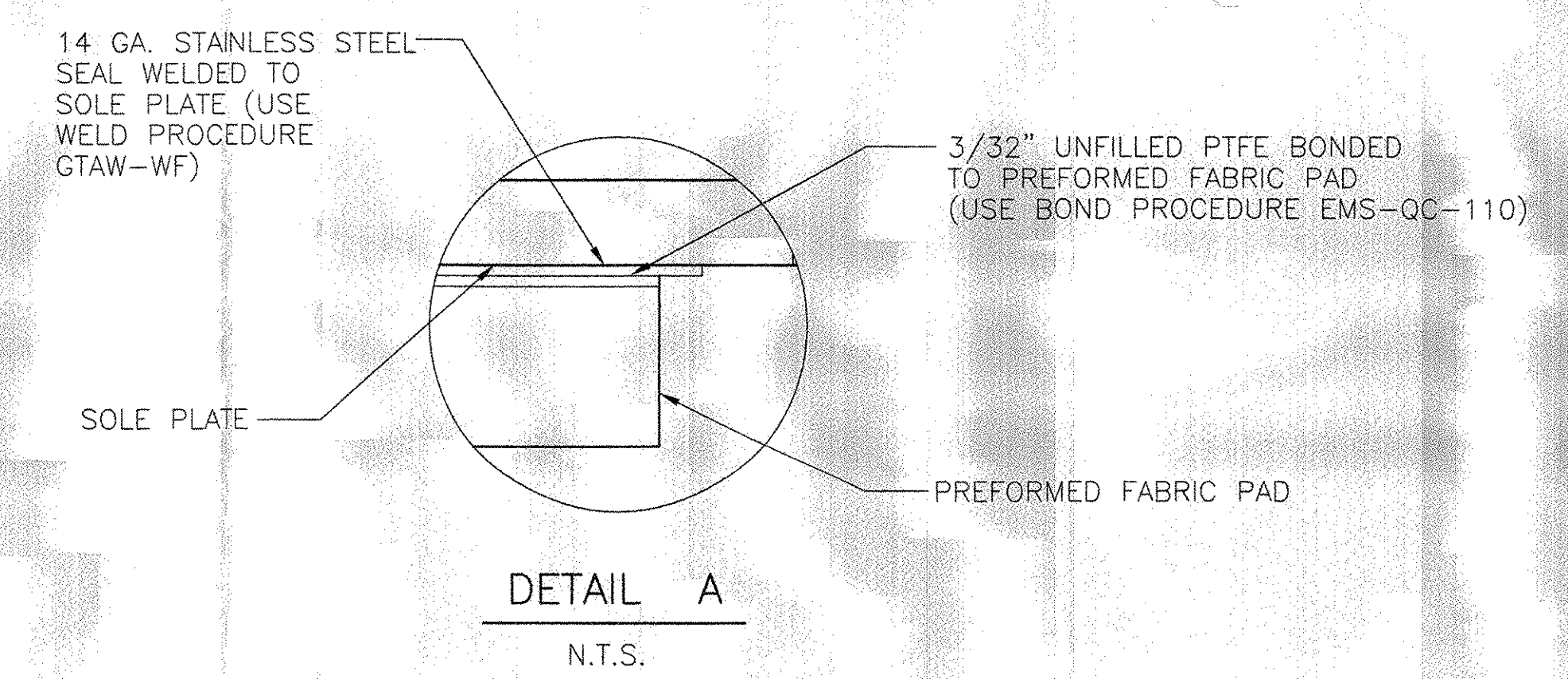
TOTAL QUANTITY REQUIRED: 24



FRONT ELEVATION

**COSMEC EXPANSION PREFORMED  
FABRIC PAD BEARING**

LOCATION - ABUTMENT NO. 2, BEAMS 1 THROUGH 6  
TOTAL VERTICAL CAPACITY - 95 KIPS  
TOTAL QUANTITY - 6



DETAIL A  
N.T.S.

FOR BRIDGE BEARINGS NOTES AND  
MATERIALS SEE DRAWING NUMBER 5280

- Reviewed
- Rejected
- Furnish as Contracted
- Revise and Resubmit
- Submit Specified Item

This review is only for general conformance with the design concept and the information given in the Construction Documents. Corrections or comments made on the shop drawings during this review do not relieve the contractor from compliance with the requirements of the plans and specifications. Review of a specific item shall not include review of an assembly of which the item is a component. The Contractor is responsible for dimensions to be confirmed and controlled at the shop. Information that pertains solely to the fabrication process or to the means, methods, techniques, sequences and procedures of construction, coordination of the Work with that of all other trades and performing all Work in a safe and satisfactory manner.

McFarland-Johnson, Inc.  
Date: 7-23-07  
By: Steven J. Delia

BRIDGE NUMBER: 7

STATE OF VERMONT  
AGENCY OF TRANSPORTATION  
PROJECT NO. BHF-0188(7)  
PROJECT NAME: WARREN  
TOWN OF WARREN  
COUNTY OF WASHINGTON  
HIGHWAY NO. TH 1  
BROOK ROAD OVER FREEMAN BROOK

**COSMEC, INC.** 70 SOUTH STREET  
WALPOLE, MA. 02081

SCALE: 3/16" = 1" DRAWN BY: MCM CHECKED BY: MM  
SHEET 2 OF 2 DATE: 7/07 DATE: 7/07

COSMEC PREFORMED FABRIC BEARINGS

REV.	BY	DATE	OK'D	DATE	CUSTOMER	S.O. NUMBER	DRAWING NUMBER	REV.
					BOLW & COTE, INC.	60748	5281	