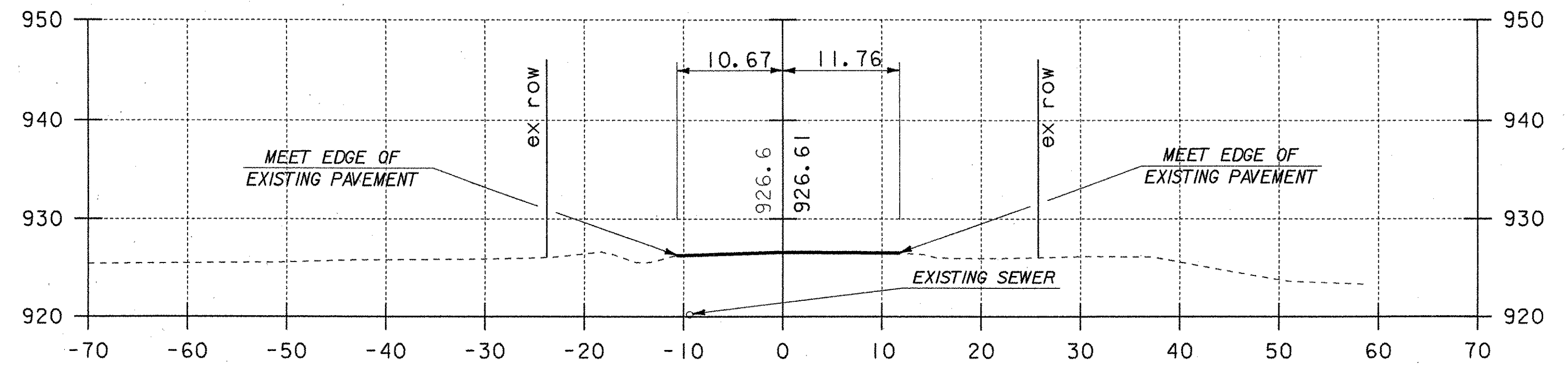
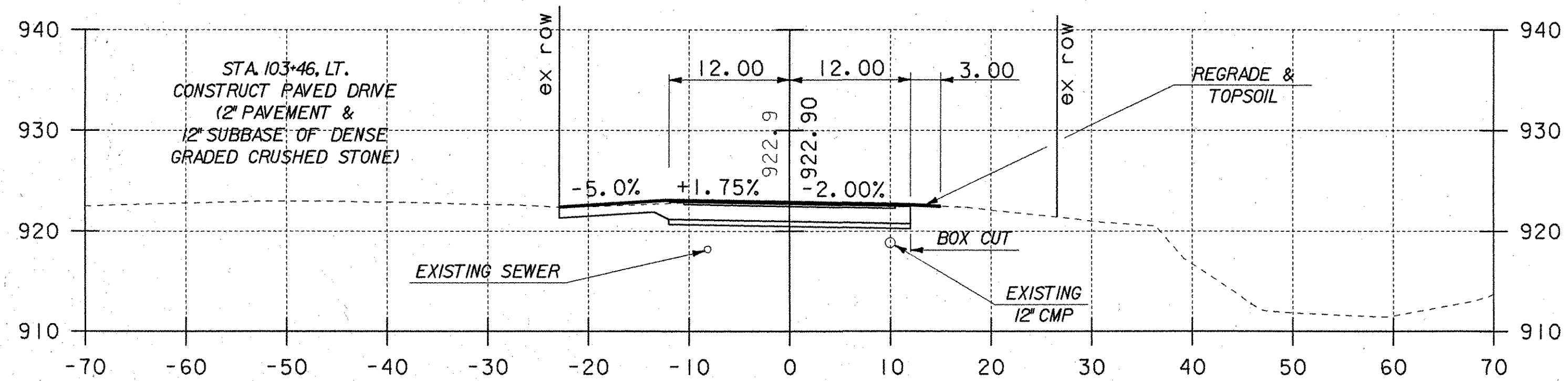


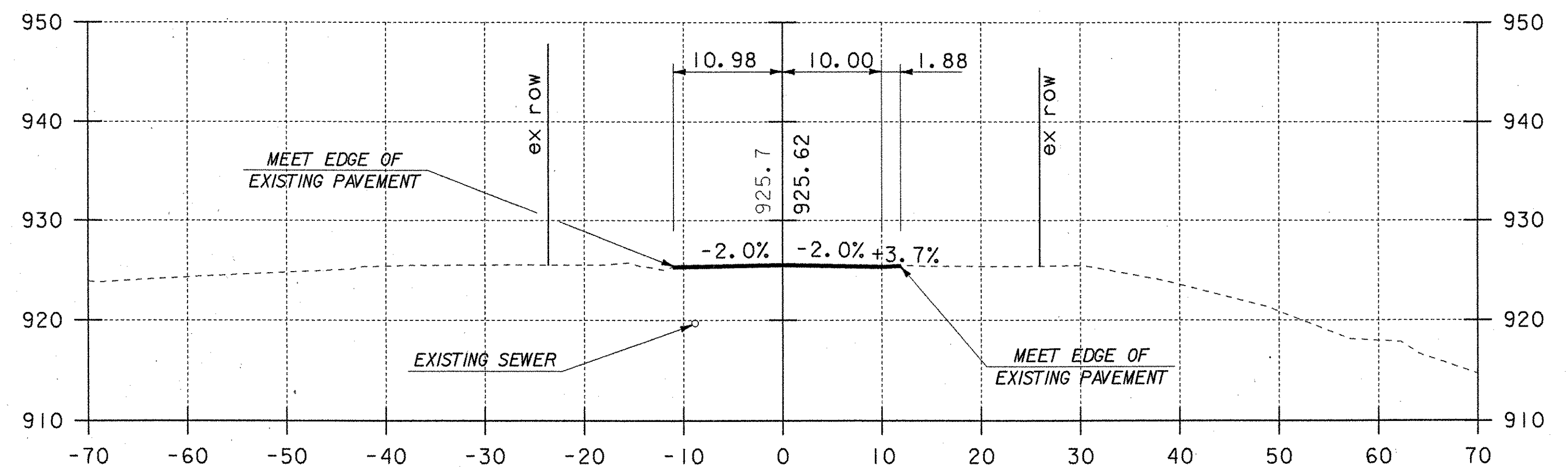
103+75



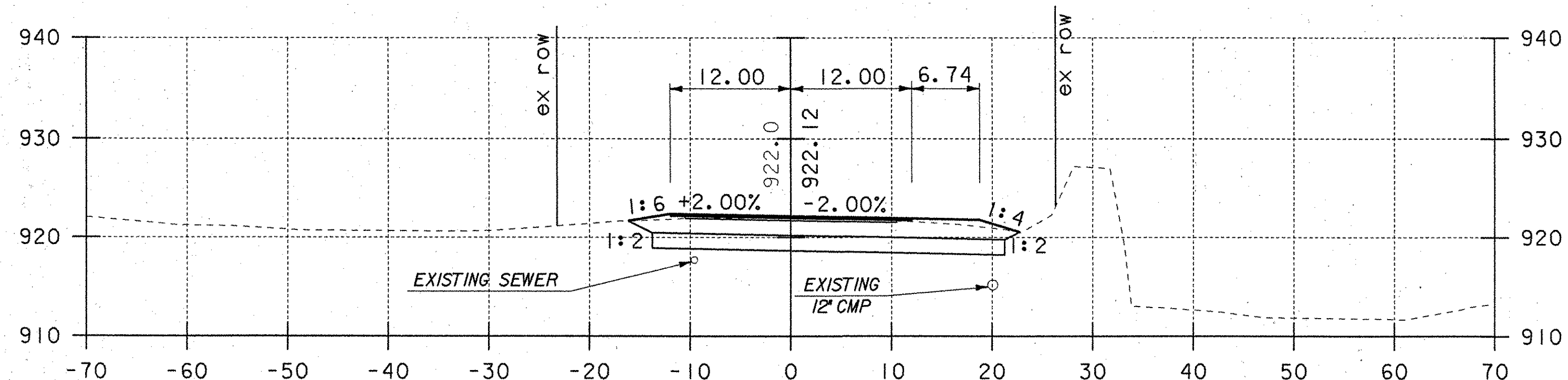
104+50
END APPROACH
MATCH EXISTING



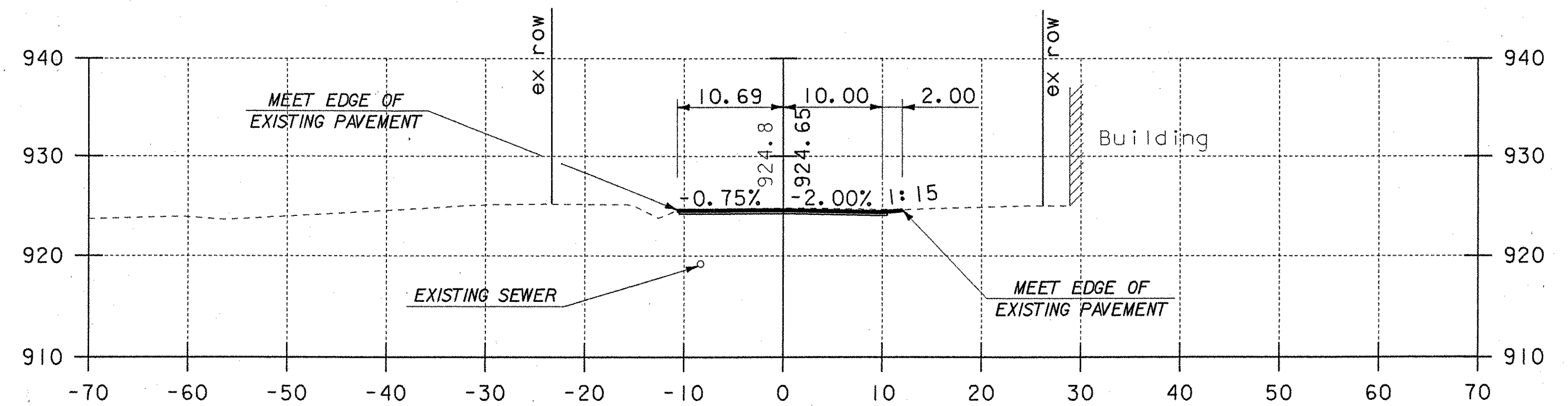
103+50



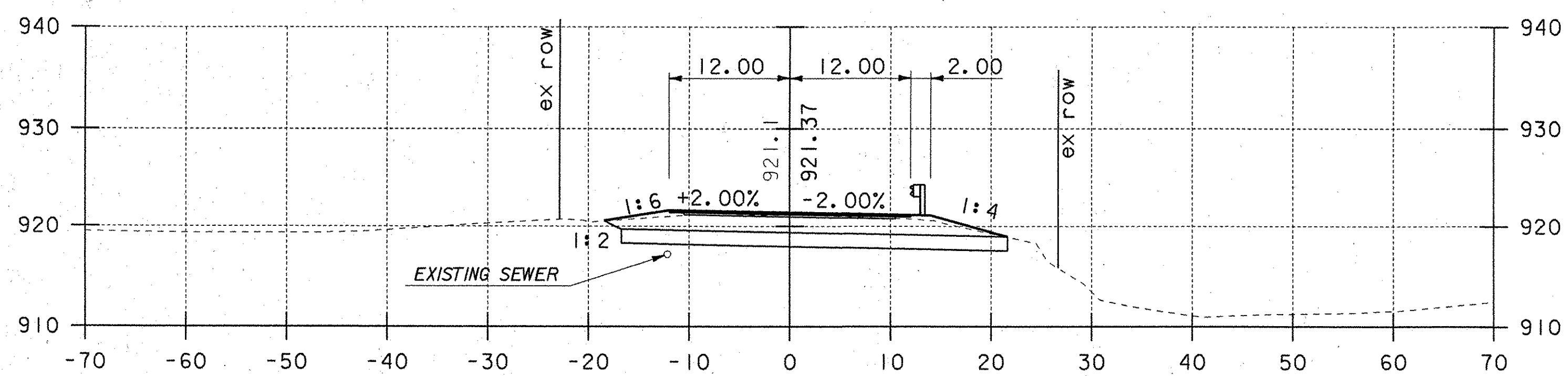
104+25



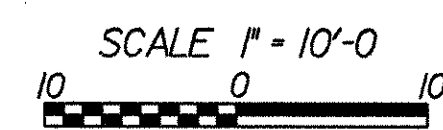
103+25
END PROJECT



104+00



103+00



**STATE OF VERMONT
AGENCY OF TRANSPORTATION**

Town Of	WARREN	Bridge No.	7
Highway No.	TH 1	Log Sta.	
		Surv. Sta.	
BROOK ROAD OVER FREEMAN BROOK			
ROADWAY CROSS SECTIONS			
Designed By	L. WIXSON	Drawn By	P. DUSTIN
Checked By	R. JOY	Bridge Design Supervisor	R. ROONEY
	Date 02/07		Date 02/07
PROJECT	WARREN	PROJECT NO.	BHF 0188(7)
I.G.C. Info. m:\549107-Warren\BRIDGE\EV\In\2\276xs3.dgn			
Bridge Sheet No.		Sheet	35 of 36

PLOTTED 19-FEB-2007