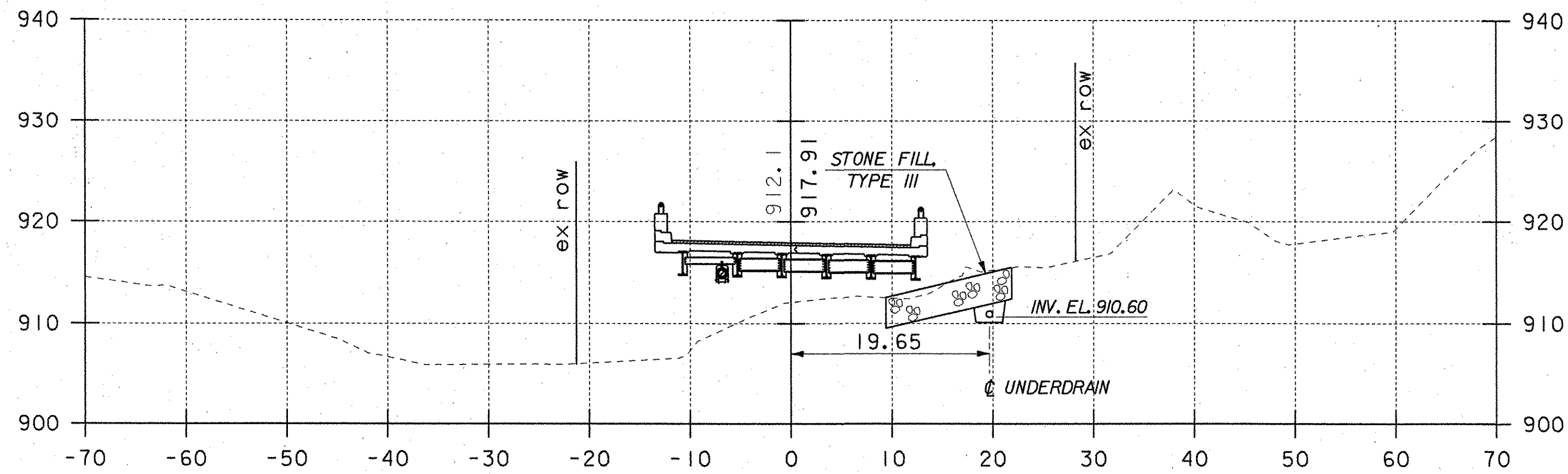
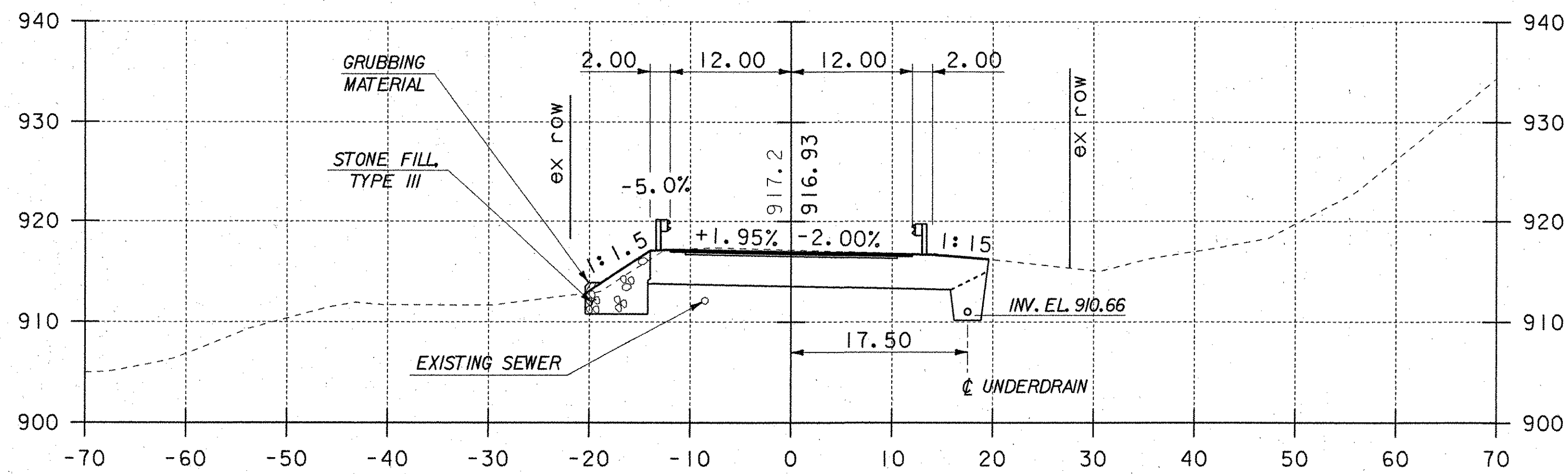


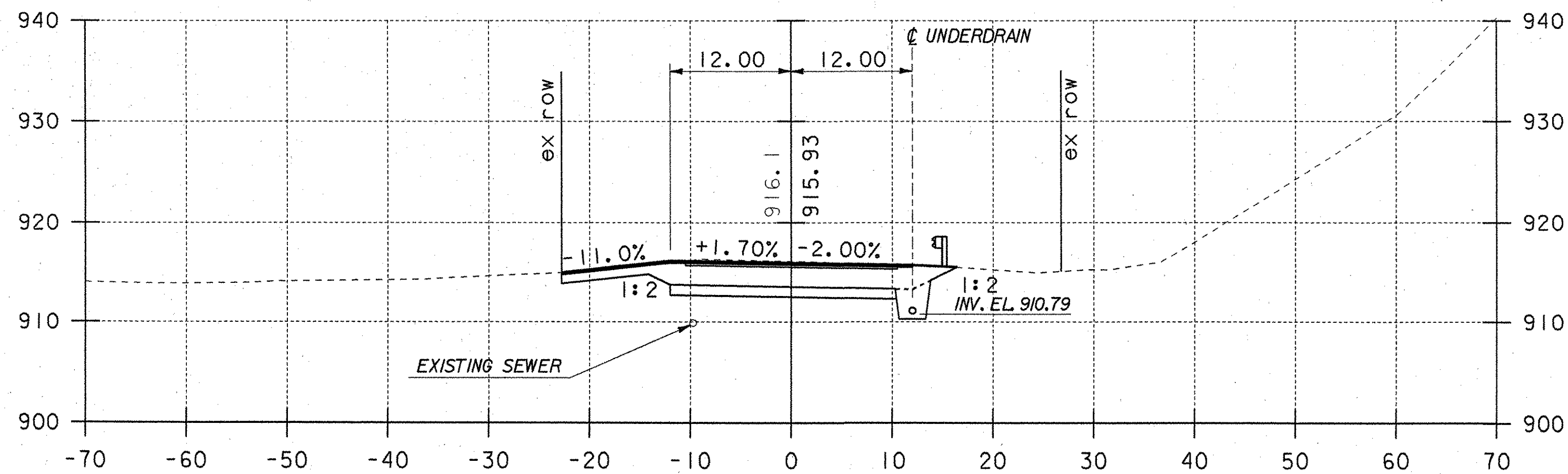
UNDERDRAIN OUTLET AT
STA. 102+09.8, 20.2 RT.
EL. 910.50



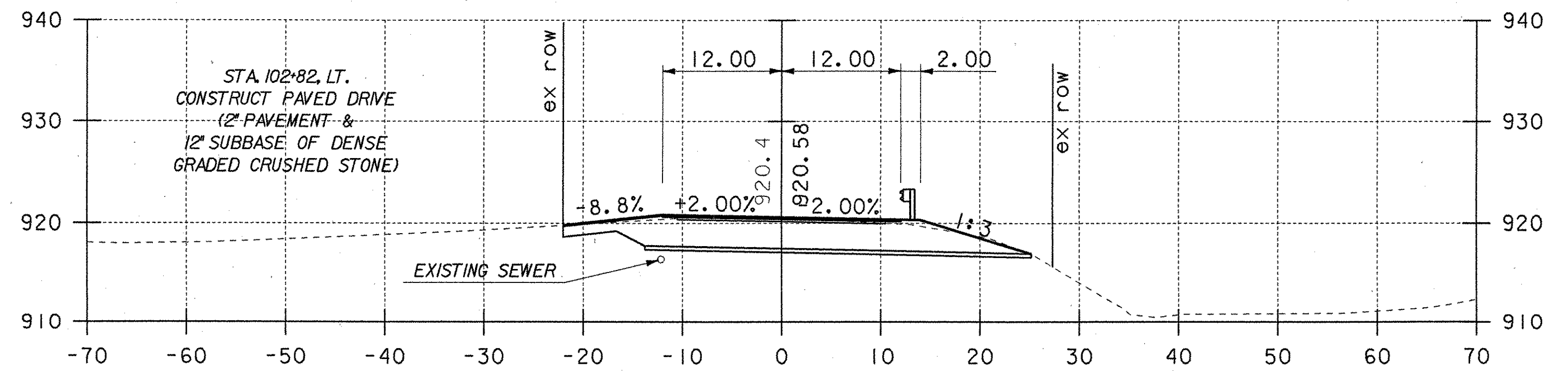
102+00
BEGIN BRIDGE - STA. 101+88.28



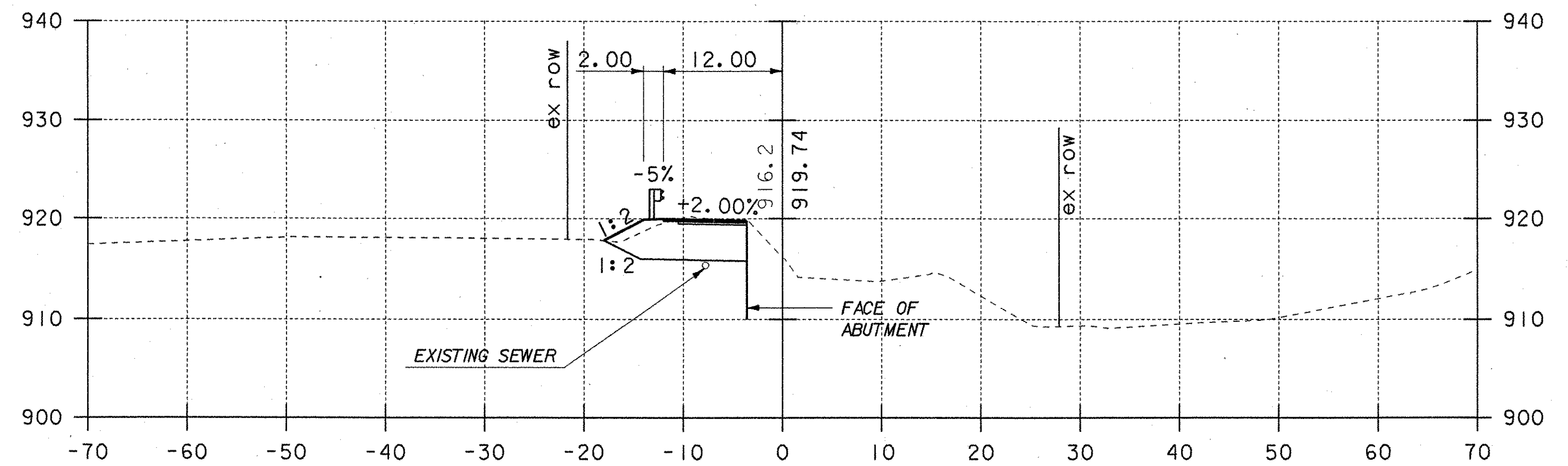
101+75



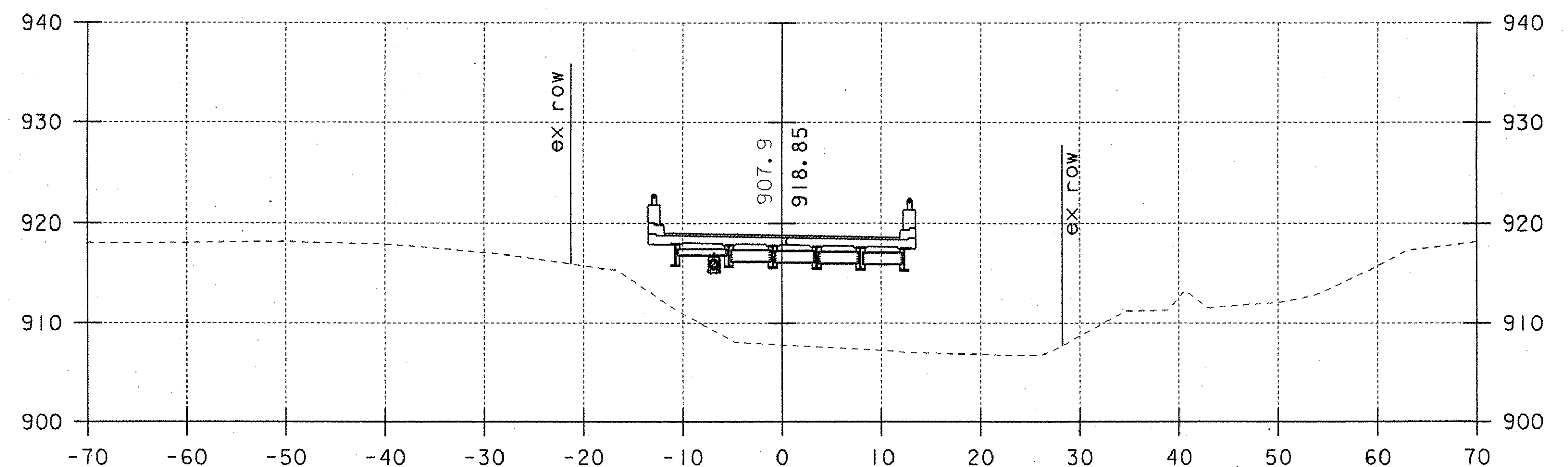
101+50



102+75
END BRIDGE - STA. 102+52.33



102+50



102+25

**STATE OF VERMONT
AGENCY OF TRANSPORTATION**

| | | | |
|-------------|--------|------------|---|
| Town Of | WARREN | Bridge No. | 7 |
| Highway No. | TH 1 | Log Sta. | |
| | | Surv. Sta. | |

BROOK ROAD OVER FREEMAN BROOK

ROADWAY CROSS SECTIONS

| | | | |
|-------------|-----------|--------------------------|-----------|
| Designed By | L. WIXSON | Drawn By | P. DUSTIN |
| Checked By | R. JOY | Bridge Design Supervisor | R. ROONEY |
| Date | 02/07 | Date | 02/07 |

| | | | |
|---------|--------|-------------|-------------|
| PROJECT | WARREN | PROJECT NO. | BHF 0188(7) |
|---------|--------|-------------|-------------|

I.G.C. Info. m:\549107-Warren\BRIDGE\EV\Final\z\276xs2.dgn

Bridge Sheet No. Sheet 34 of 36

