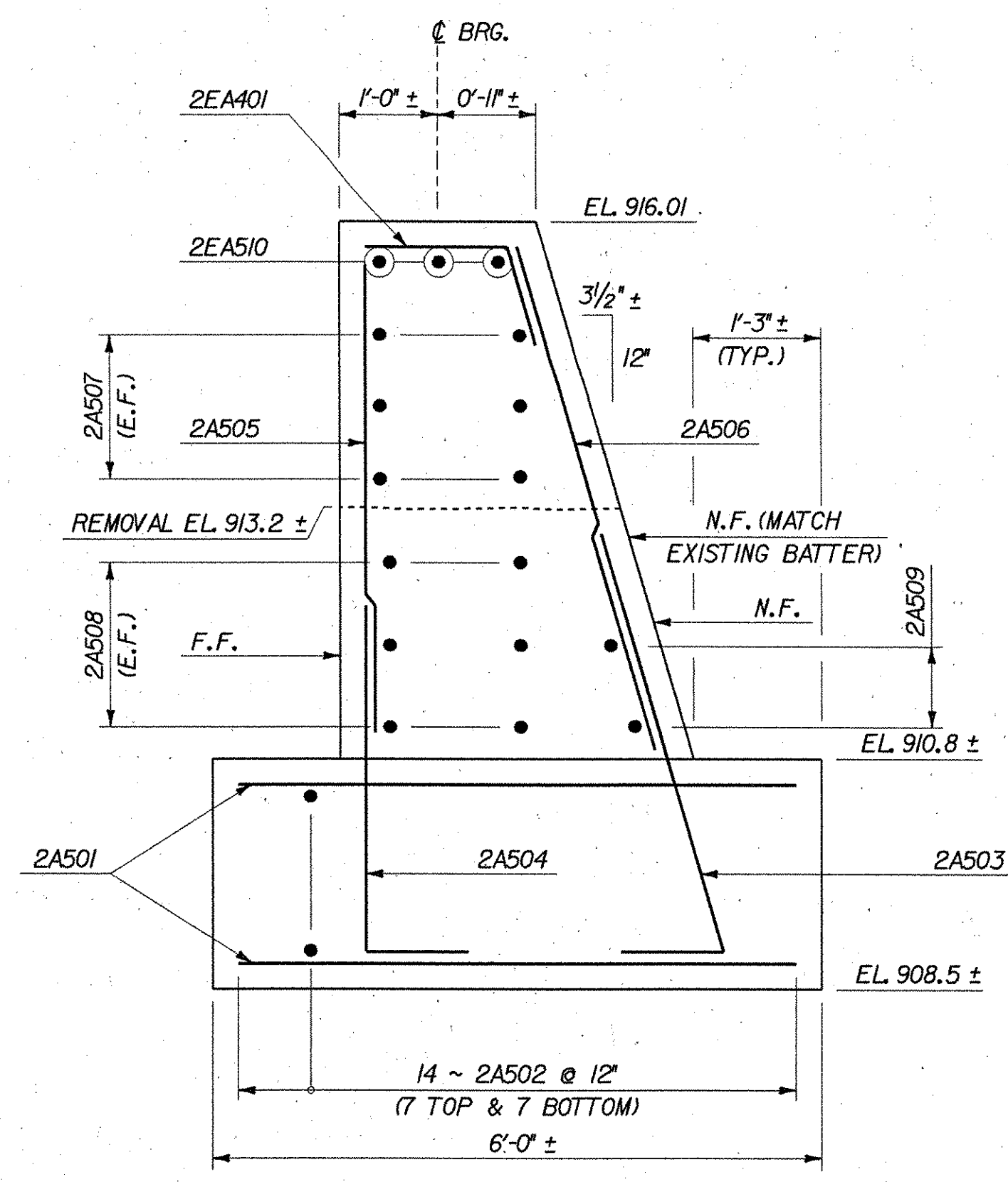
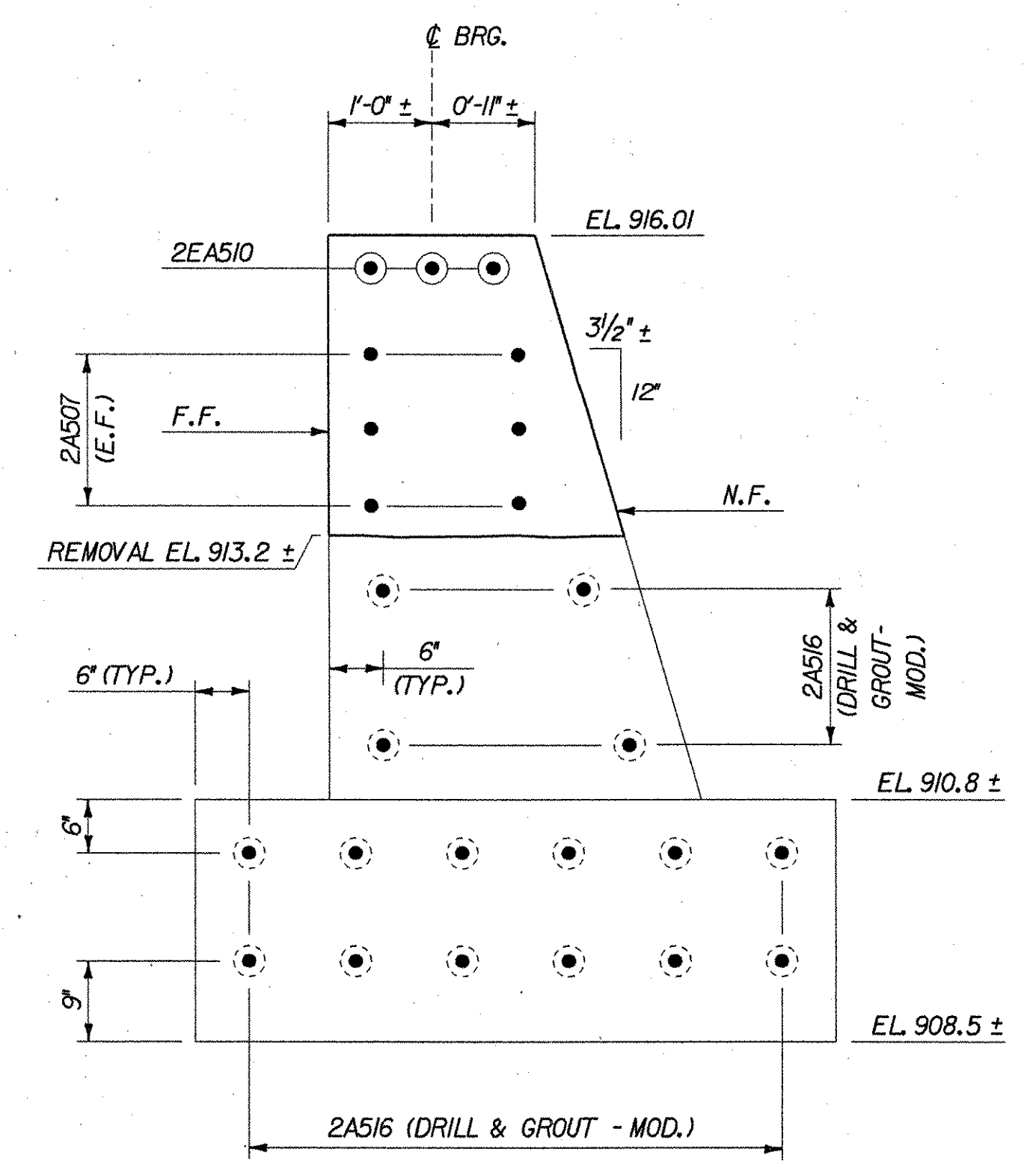


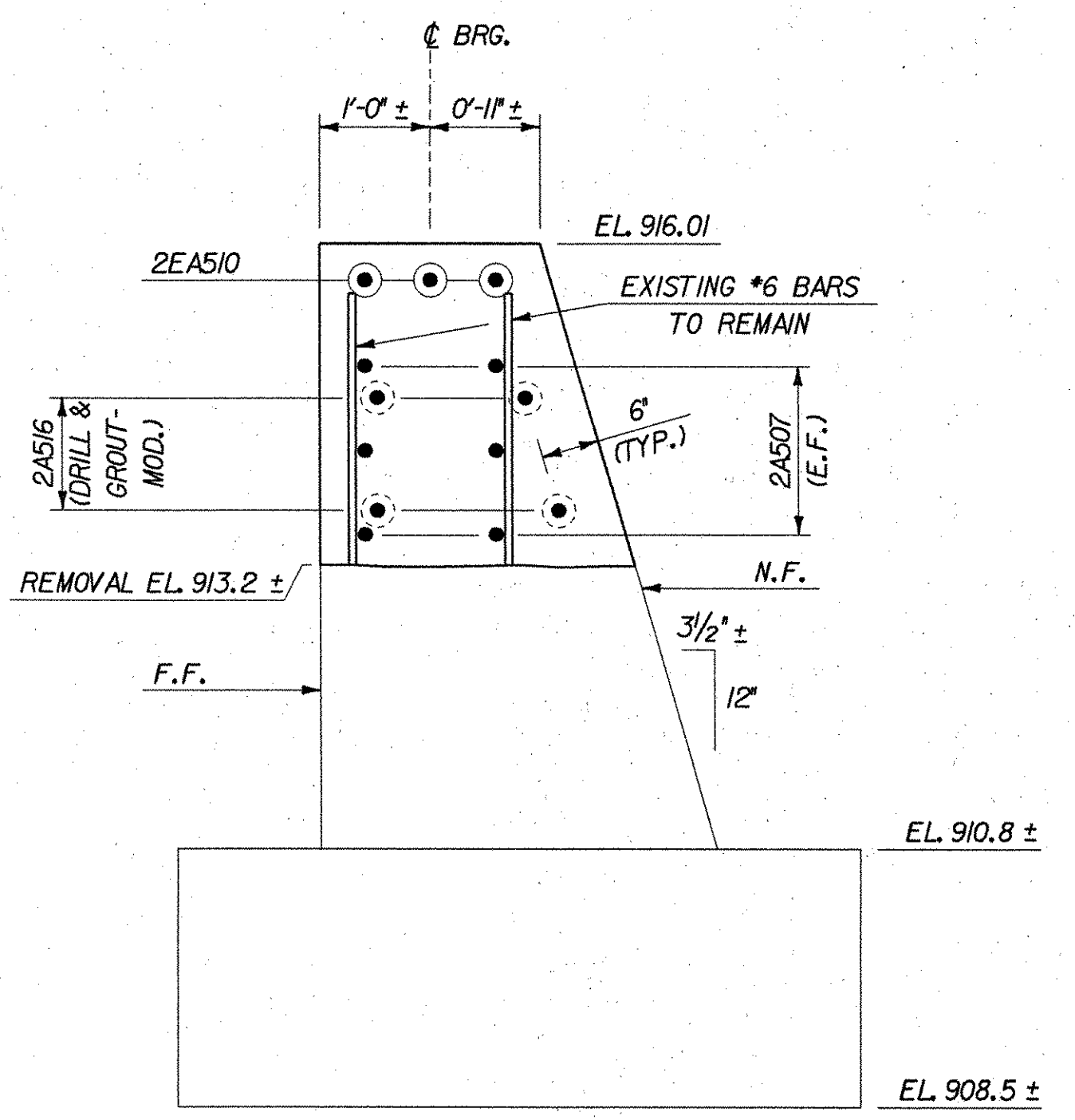
SECTION F-F
SCALE: 3/4" = 1'-0"



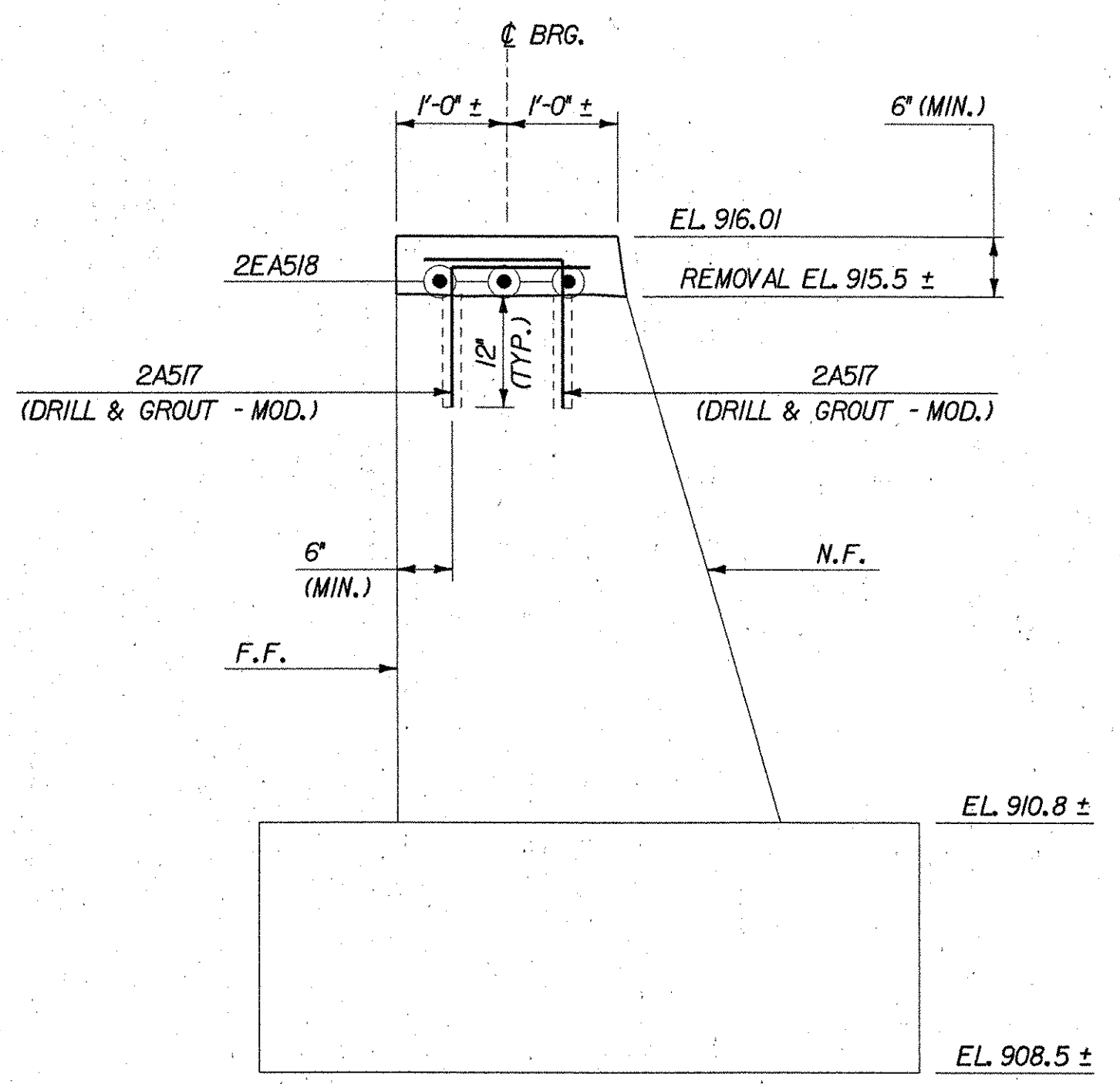
SECTION G-G
SCALE: 3/4" = 1'-0"



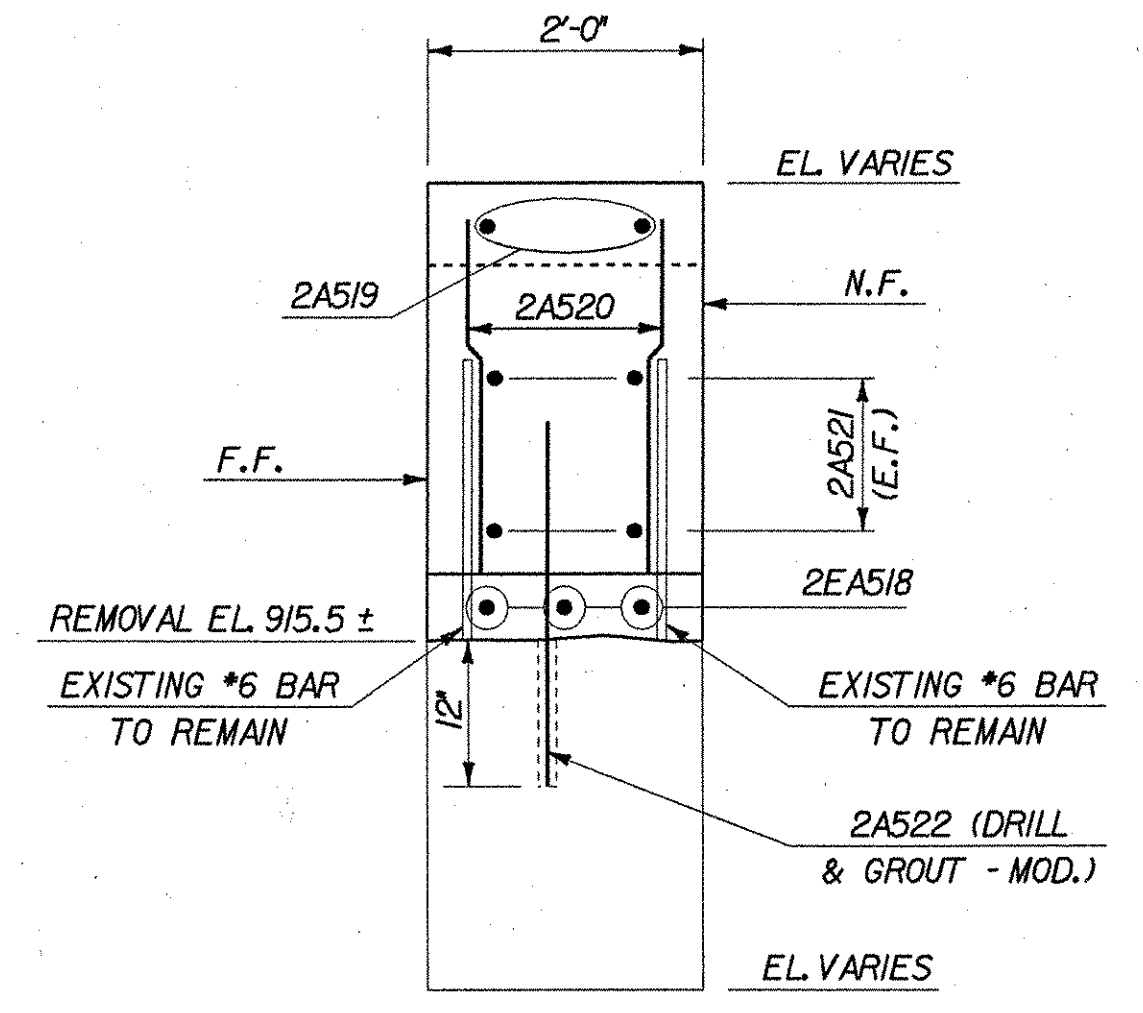
SECTION H-H
SCALE: 3/4" = 1'-0"



SECTION I-I
SCALE: 3/4" = 1'-0"



SECTION J-J
SCALE: 3/4" = 1'-0"



SECTION K-K
SCALE: 3/4" = 1'-0"

NOTES
 N.F. = NEAR FACE
 F.F. = FAR FACE
 E.F. = EACH FACE
 ▲ = CUT TO FIT IN FIELD
 1. 3" CLR. UNLESS OTHERWISE SPECIFIED ON THE PLANS.

STATE OF VERMONT AGENCY OF TRANSPORTATION			
Town Of	WARREN	Bridge No.	7
Highway No.	TH 1	Log Sta.	
		Surv. Sta.	
BROOK ROAD OVER FREEMAN BROOK ABUTMENT NO. 2 DETAILS			
Designed By	S. DELIA	Drawn By	P. DUSTIN
Checked By	R. JOY	Bridge Design Supervisor	R. ROONEY
Date	02/07	Date	02/07
PROJECT	WARREN	PROJECT NO.	BHF 0188(7)
I.G.C. Info. m:\549107-Warren\BRIDGE\Drawings\276ad2.dgn			
Bridge Sheet No.		Sheet	28 of 36



PLOTTED 02-MAR-2007