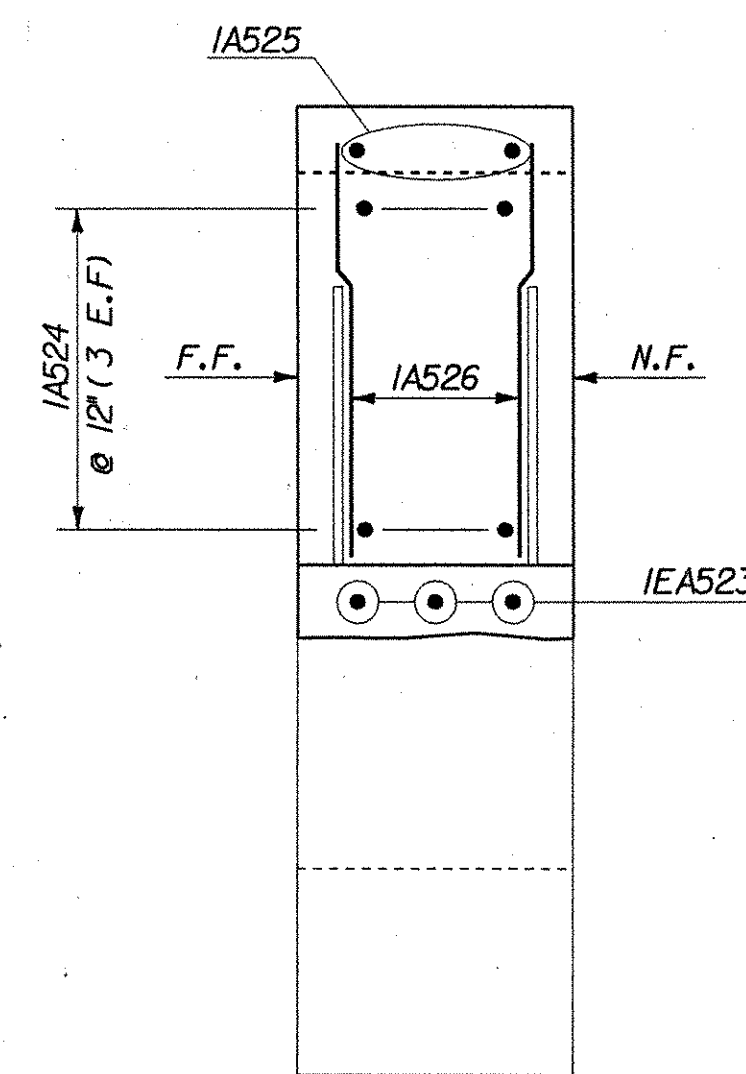
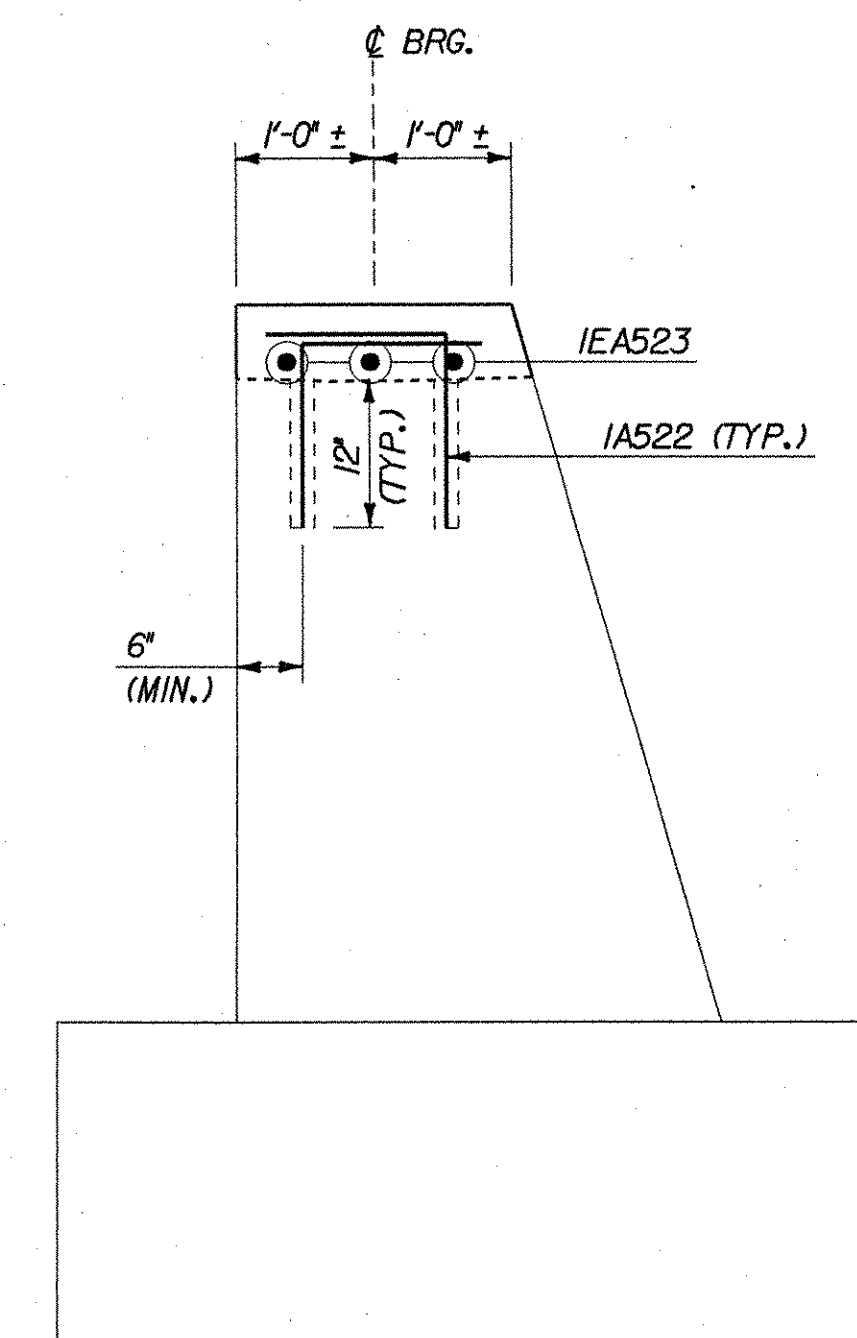


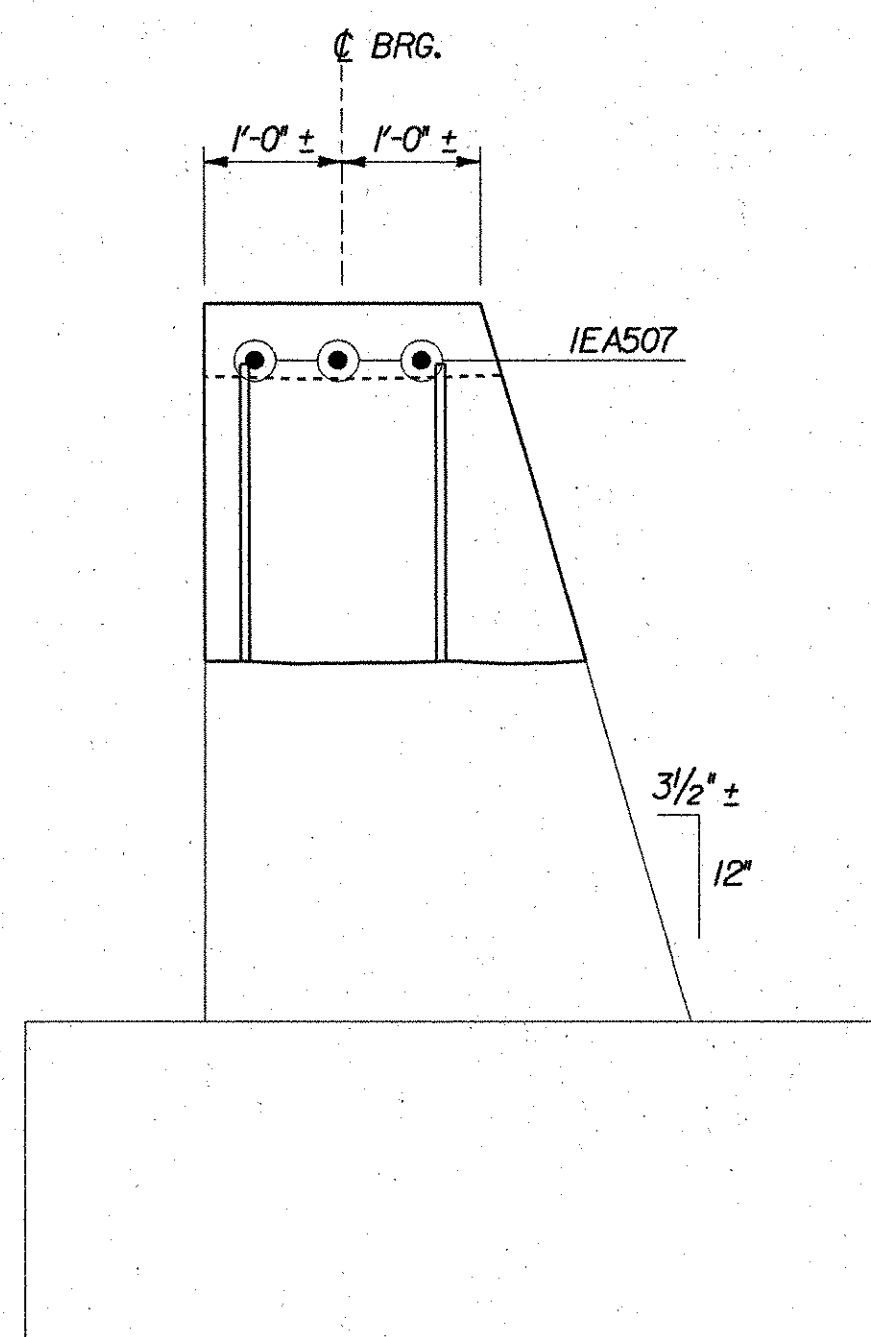
WINGWALL NO. 1 ELEVATION
SCALE: 1/2" = 1'-0"



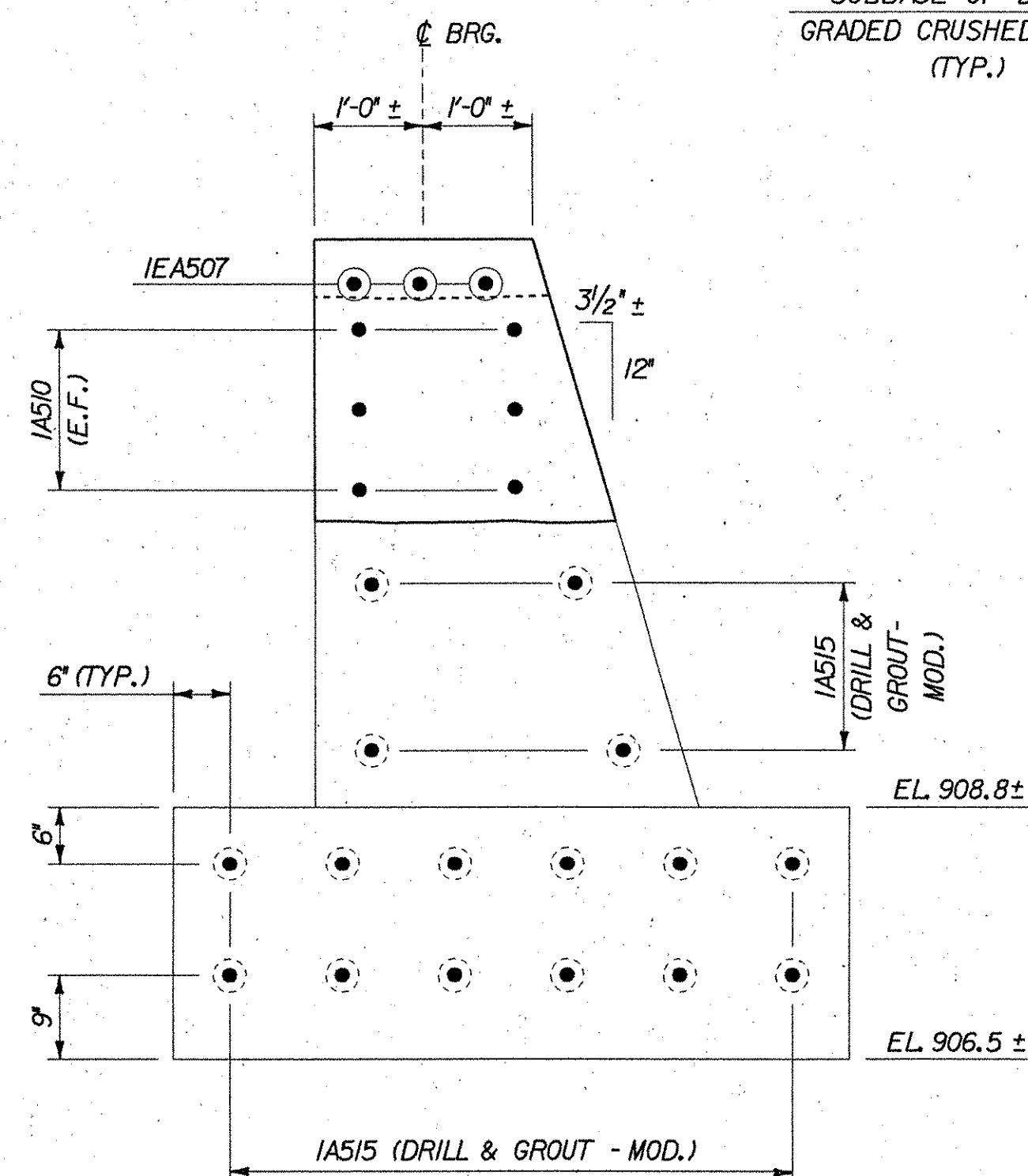
SECTION A-A
SCALE: 3/4" = 1'-0"



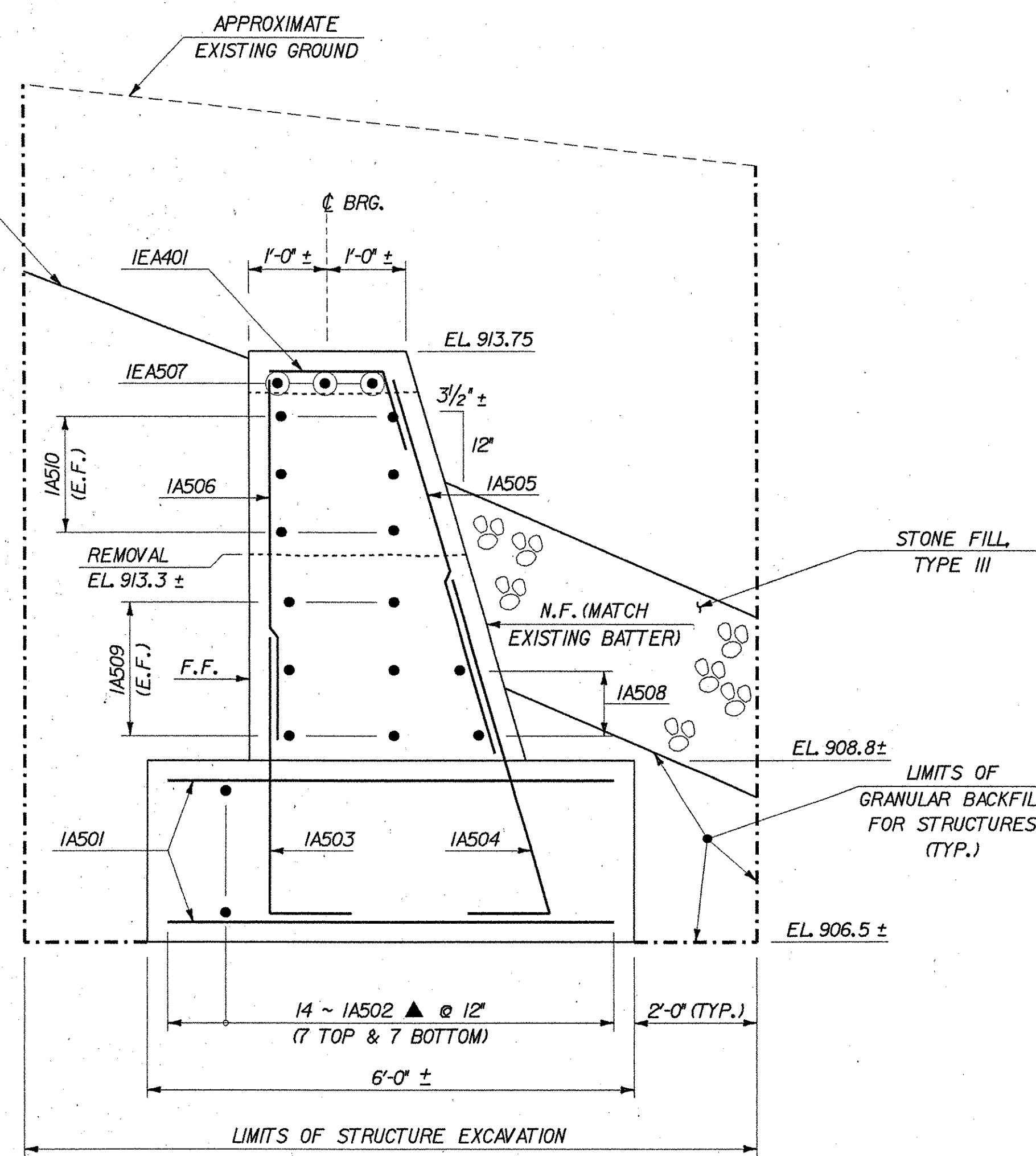
SECTION B-B
SCALE: 3/4" = 1'-0"



SECTION C-C
SCALE: 3/4" = 1'-0"



SECTION D-D
SCALE: 3/4" = 1'-0"



SECTION E-E
SCALE: 3/4" = 1'-0"

STATE OF VERMONT AGENCY OF TRANSPORTATION			
Town Of	WARREN	Bridge No.	7
Highway No.	TH 1	Log Sta.	
		Surv. Sta.	
BROOK ROAD OVER FREEMAN BROOK			
ABUTMENT NO. 1 DETAILS			
Designed By	S. DELIA	Drawn By	P. DUSTIN
Checked By	R. JOY	Bridge Design Supervisor	R. ROONEY
Date	02/07	Date	02/07
PROJECT	WARREN	PROJECT NO.	BHF 0188(7)
I.G.C. Info. m:\549107\Warren\BRIDGE\1\Inal\2\276ad1.dgn			
Bridge Sheet No.		Sheet	26 of 36

