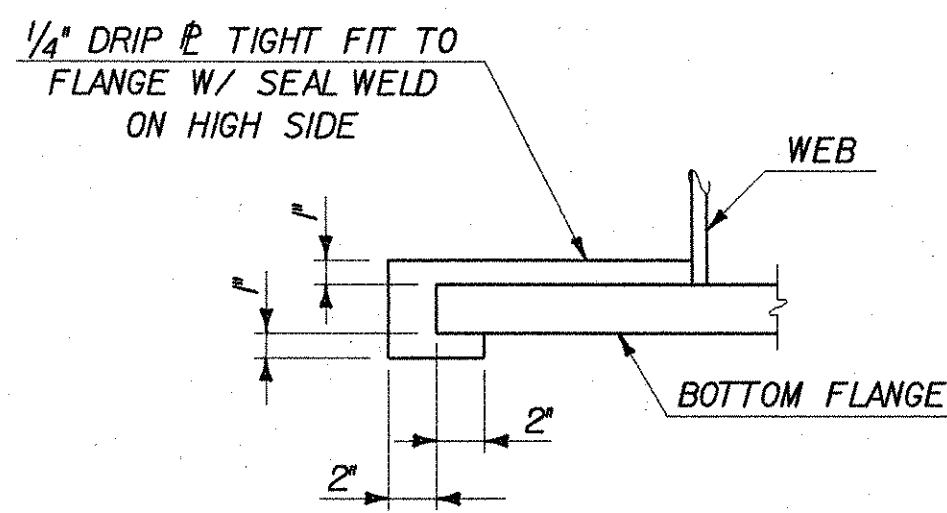
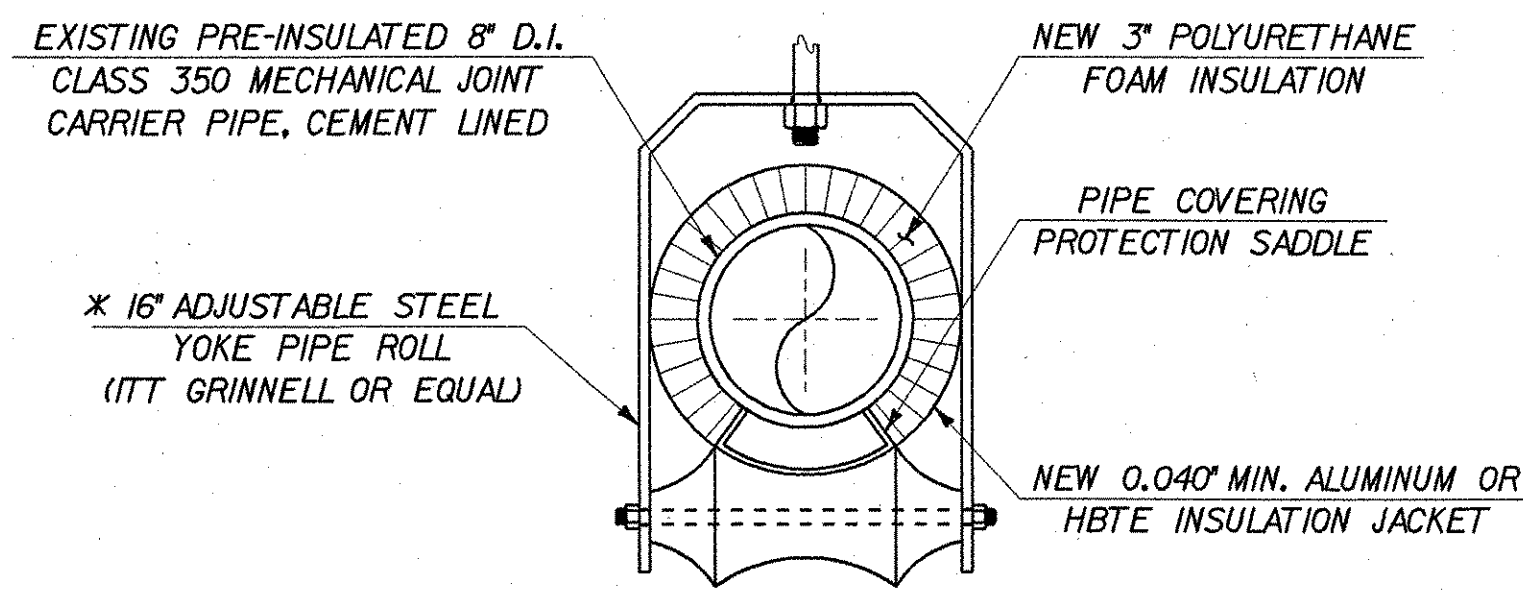


DRIP PLATE PLAN
SCALE: 3/4" = 1'-0"



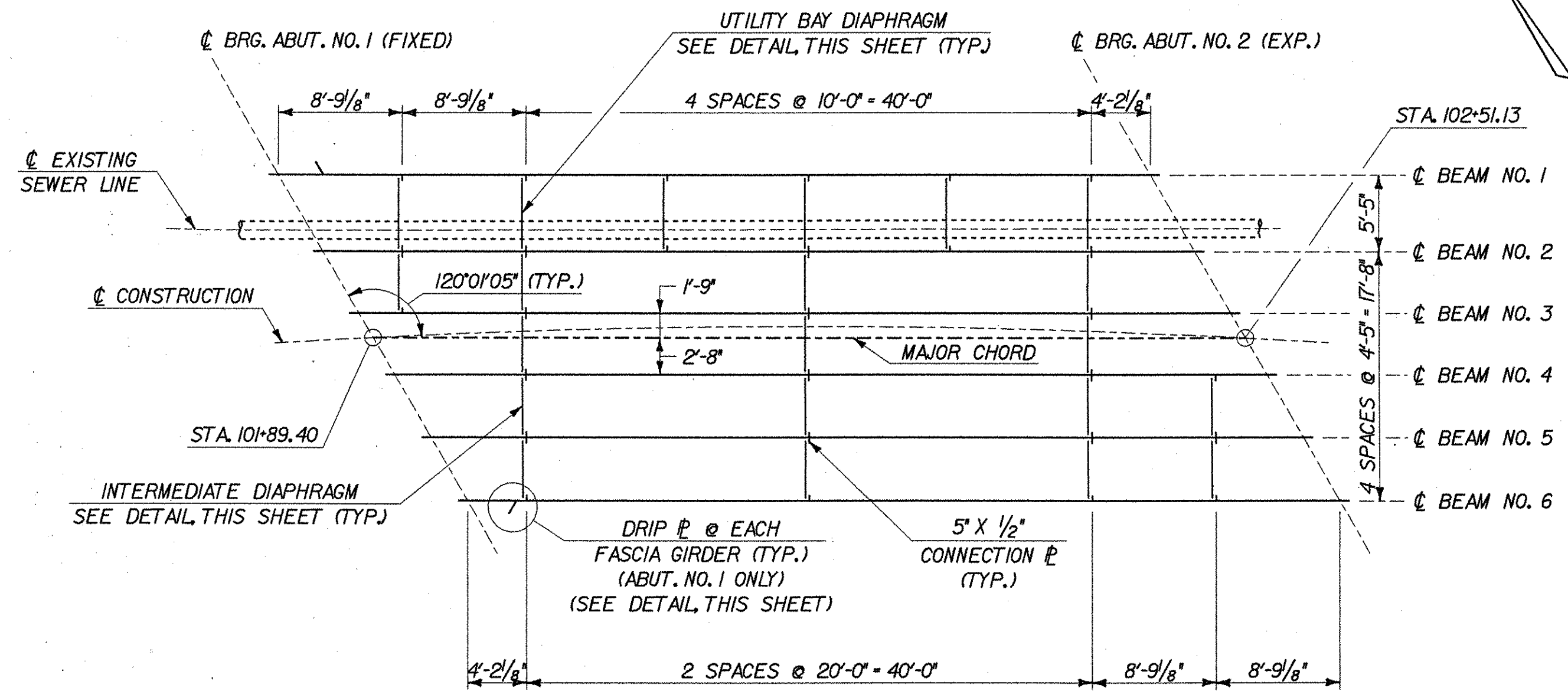
DRIP PLATE SECTION B-B
SCALE: 1 1/2" = 1'-0"

NOTE:
DRIP PLATES SHALL BE PLACED ON THE OUTSIDE EDGE OF FASCIA BEAMS ON THE ABUTMENT NO. 1 END. FOR LOCATION, SEE FRAMING PLAN THIS SHEET. BEAM 6 SHOWN, BEAM 1 OPPOSITE HAND.

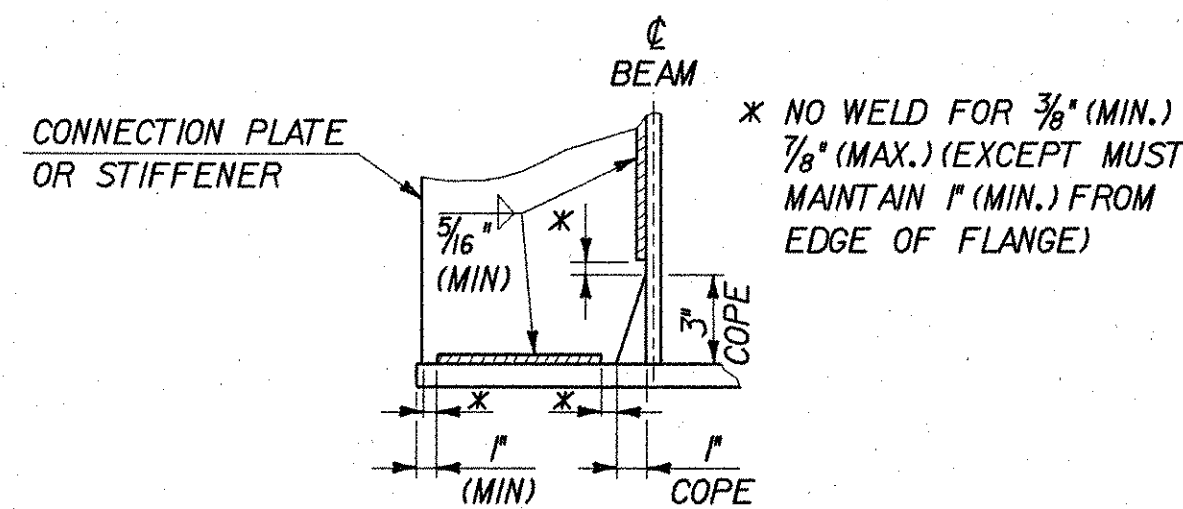


SEWER PIPE HANGER DETAIL
NOT TO SCALE

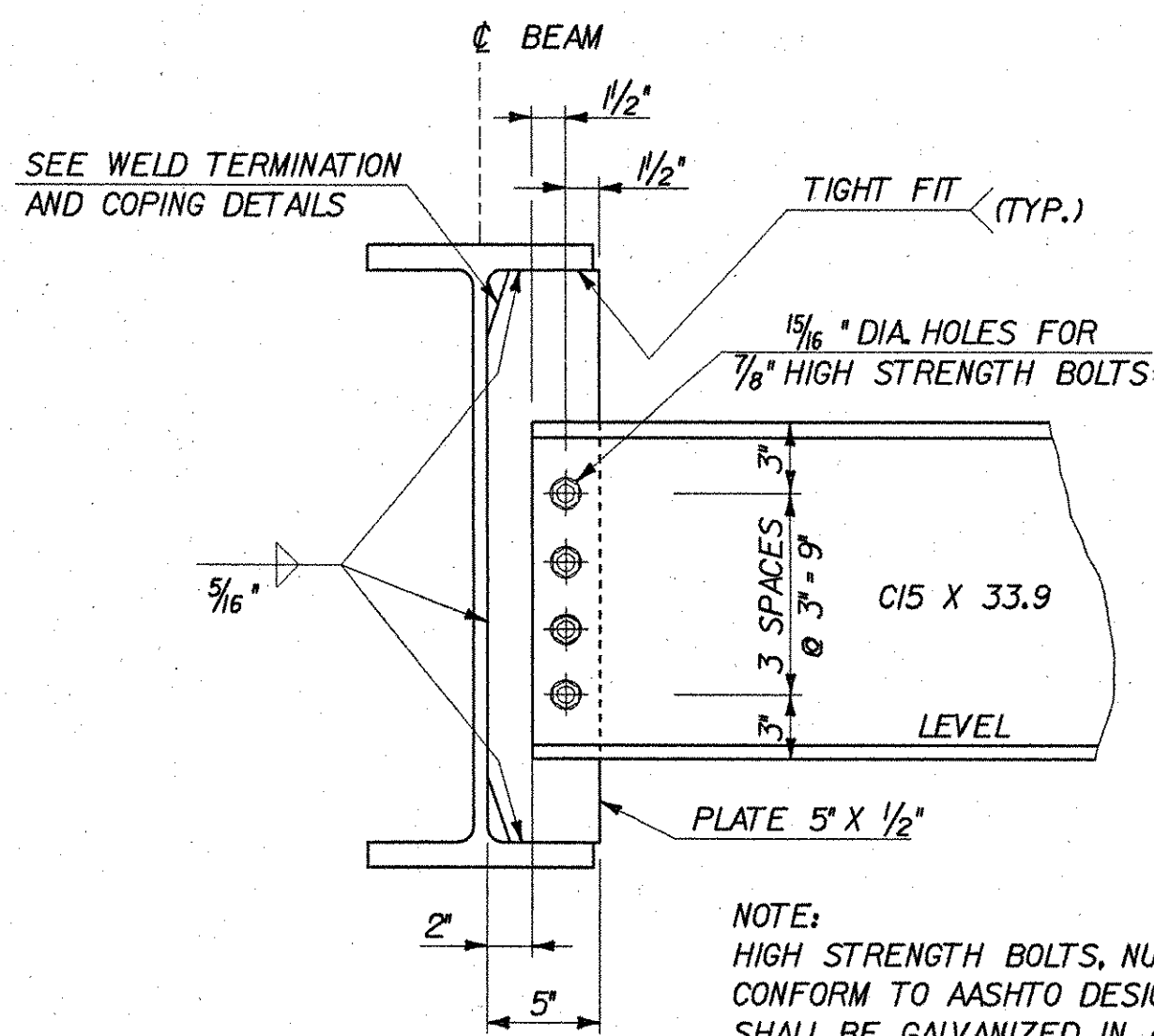
* SEE SEWER LINE NOTES ON SHEET 16



FRAMING PLAN
SCALE: 1/8" = 1'-0"

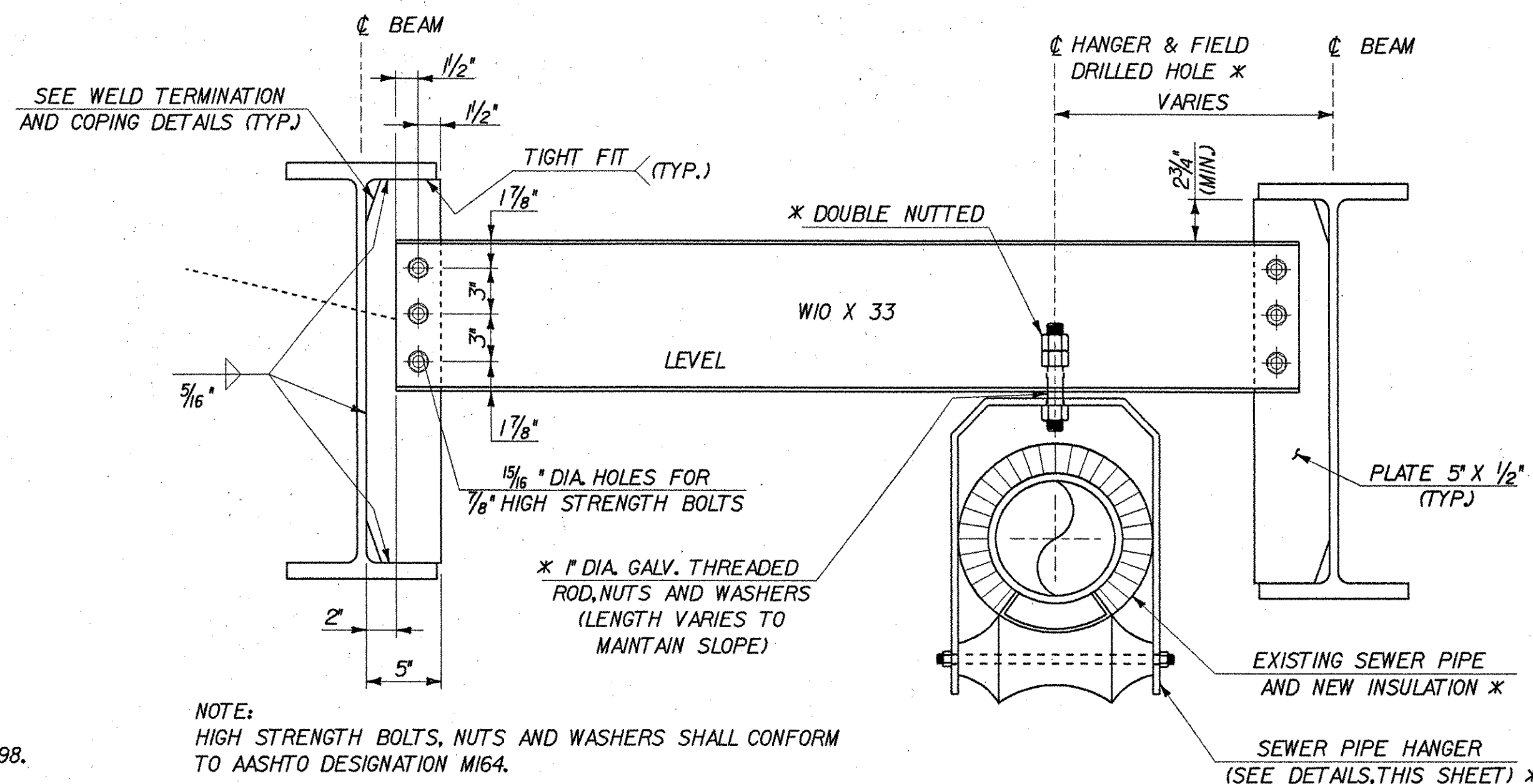


WELD TERMINATION AND COPING DETAILS
NOT TO SCALE



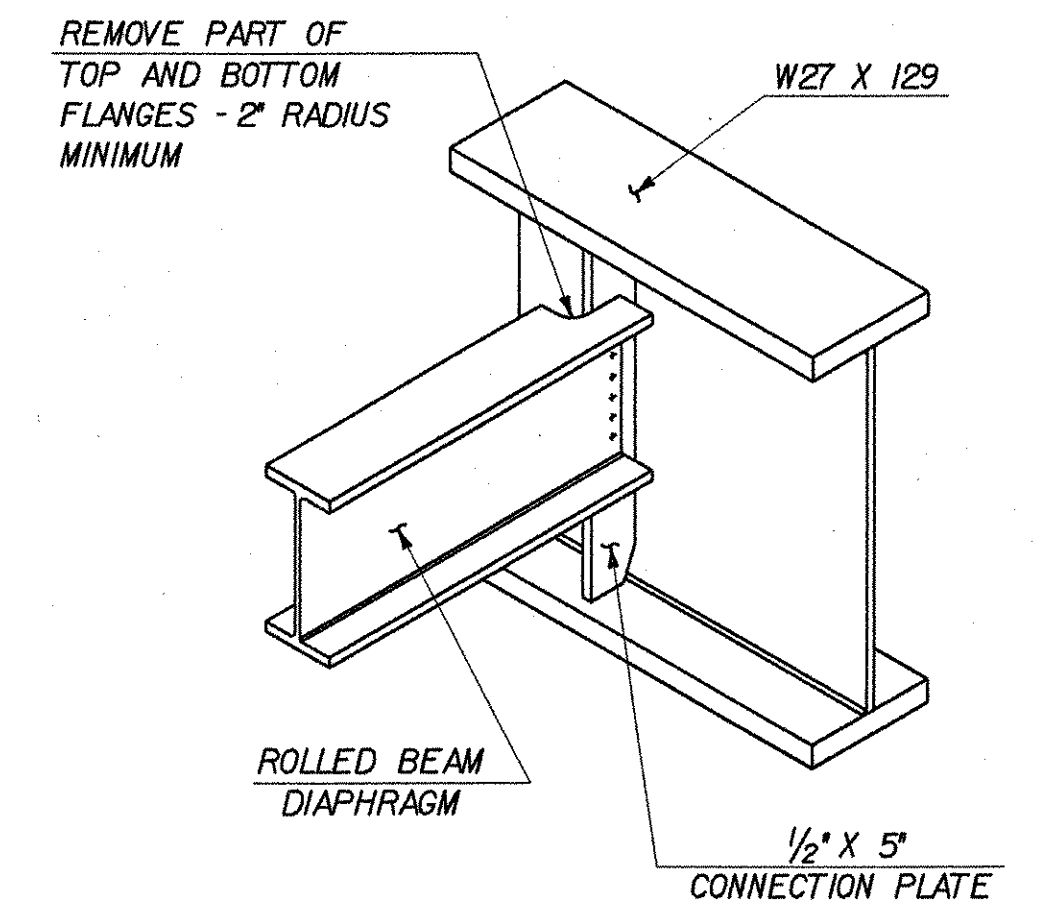
INTERMEDIATE DIAPHRAGM
SCALE: 1/2" = 1'-0"

NOTE:
HIGH STRENGTH BOLTS, NUTS AND WASHERS SHALL CONFORM TO AASHTO DESIGNATION M164, TYPE 1 AND SHALL BE GALVANIZED IN ACCORDANCE WITH AASHTO M298.



UTILITY BAY DIAPHRAGM
SCALE: 1/2" = 1'-0"

* SEE SEWER LINE NOTES ON SHEET 16



ROLLED BEAM USED AS DIAPHRAGM
NOT TO SCALE

**STATE OF VERMONT
AGENCY OF TRANSPORTATION**

Town Of	WARREN	Bridge No.	7
Highway No.	TH 1	Log Sta.	
		Surv. Sta.	
BROOK ROAD OVER FREEMAN BROOK			
FRAMING PLAN & DETAILS			
Designed By	S. DELIA	Drawn By	S. DELIA
Checked By	R. JOY	Bridge Design Supervisor	R. ROONEY
Date	02/07	Date	02/07
PROJECT	WARREN	PROJECT NO.	BHF 0188(7)
I.G.C. Info. m:\549\07-Warren\BRIDGE\1\nd\2\276fpl.dgn			
Bridge Sheet No.		Sheet	21 of 36

