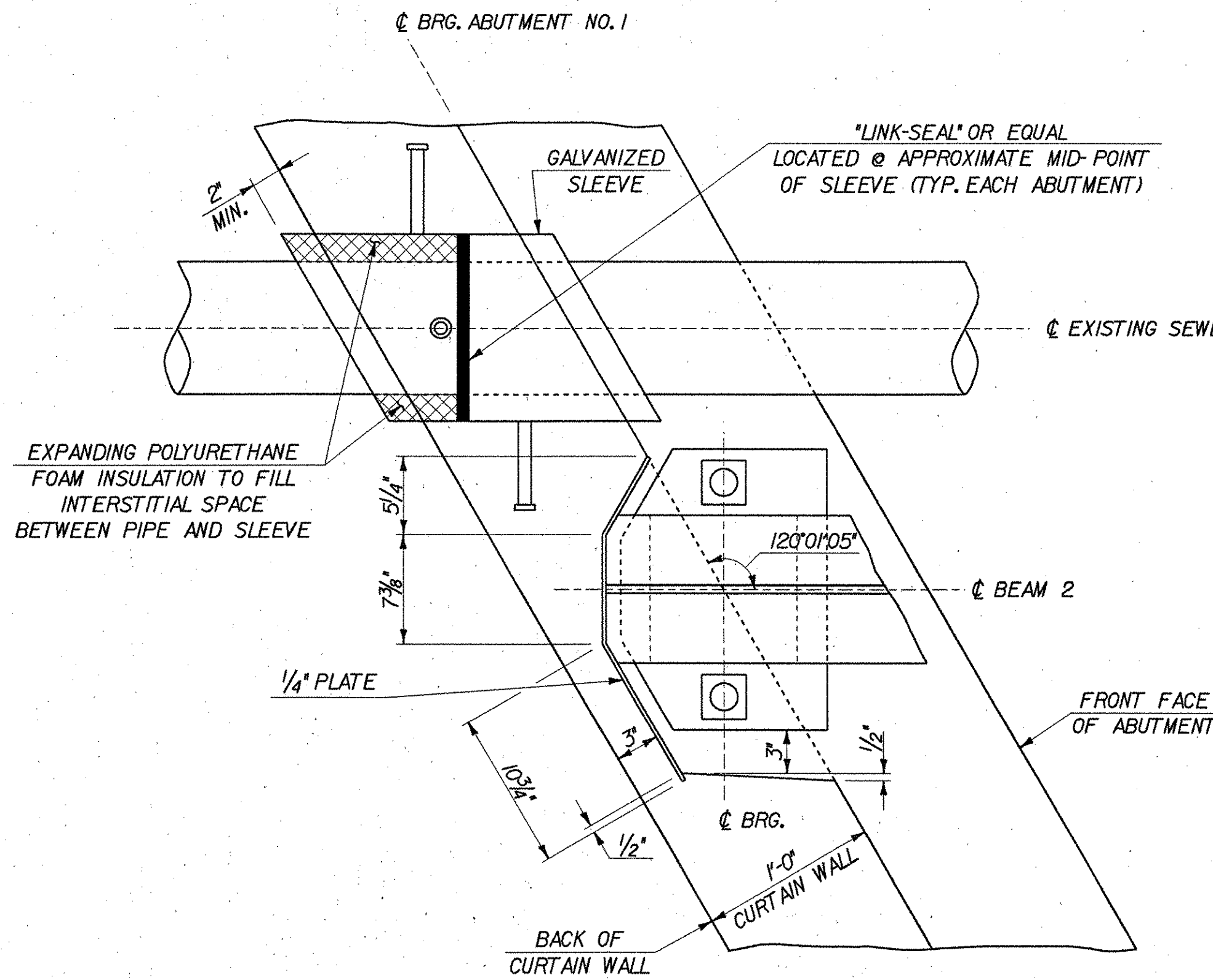
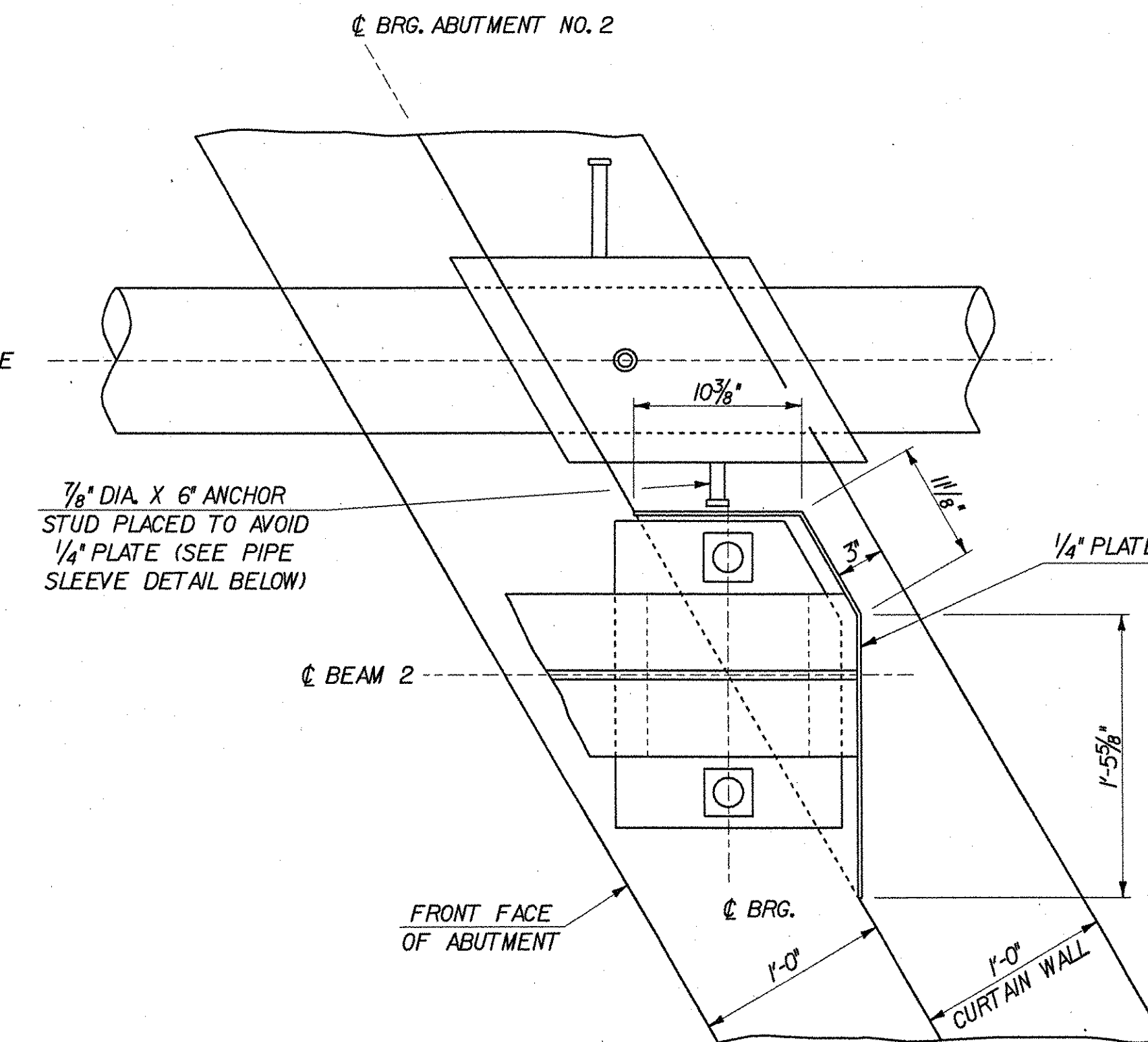


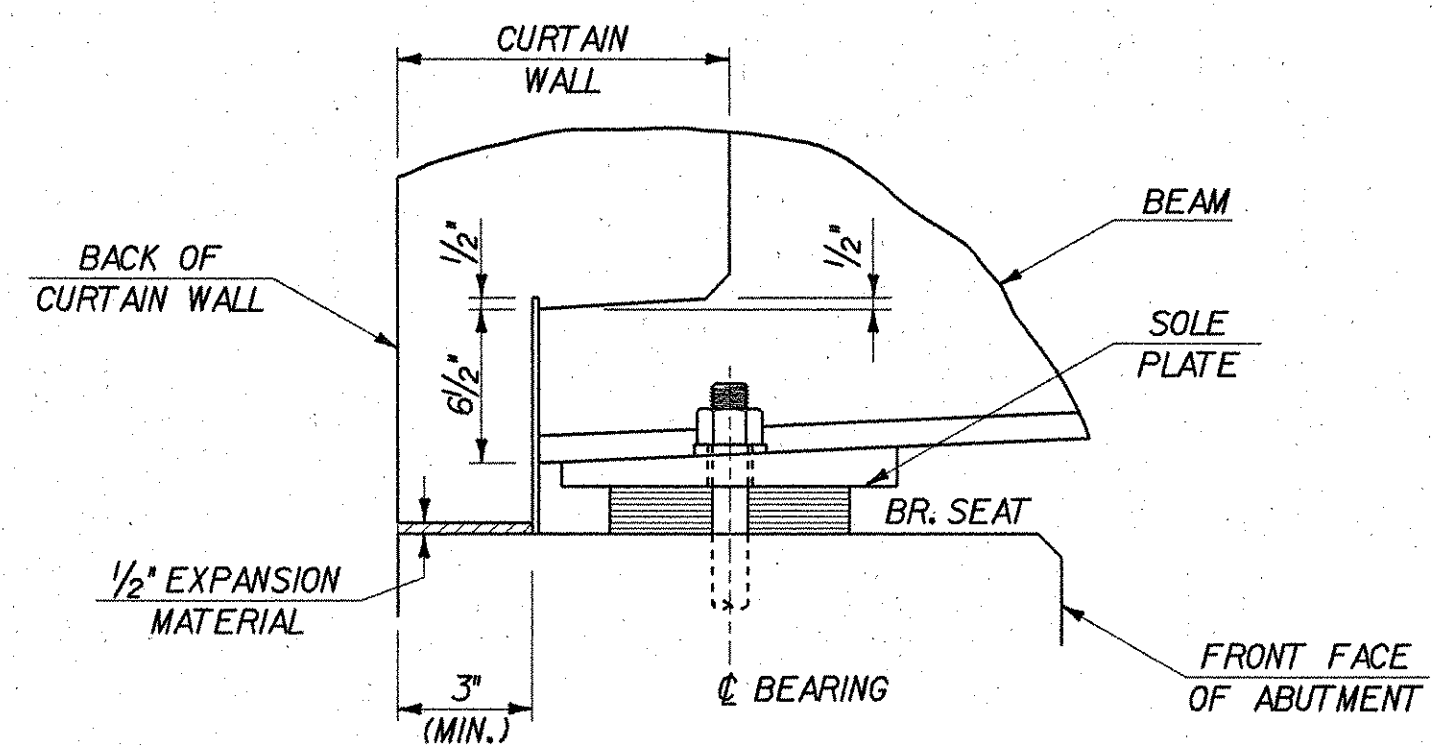
PLAN



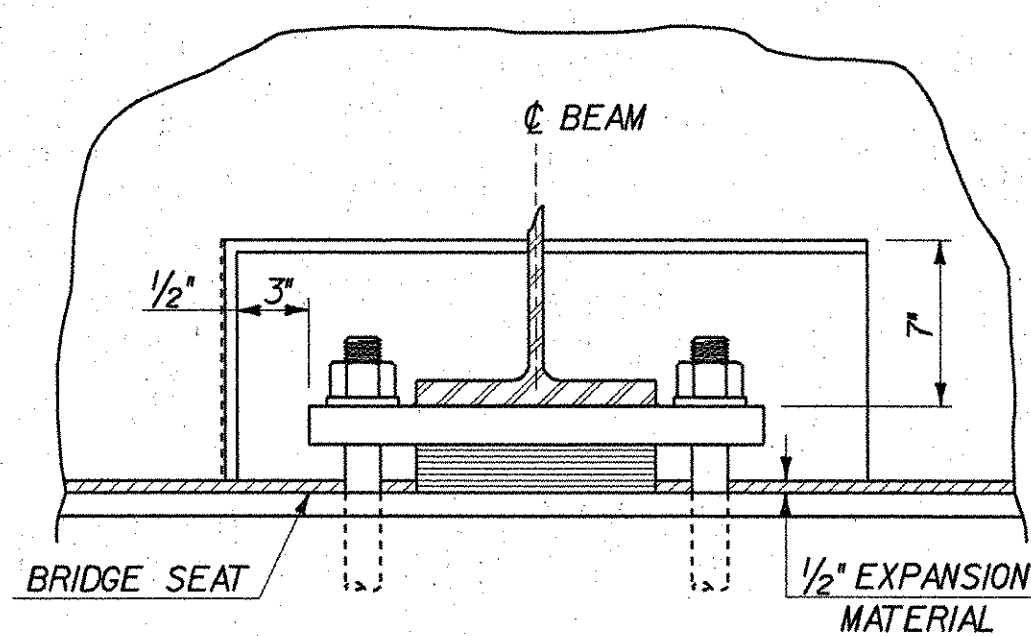
PLAN - ABUTMENT NO. 1



PLAN - ABUTMENT NO. 2

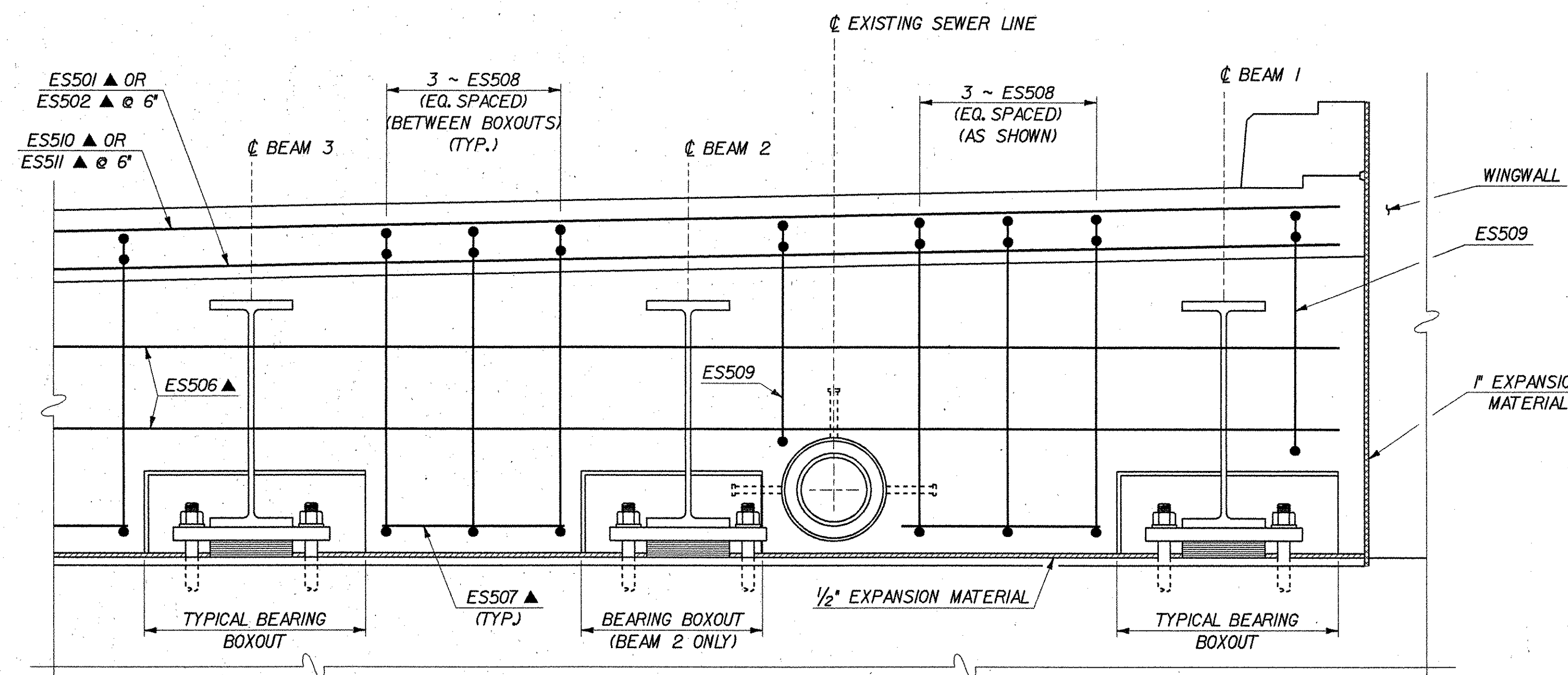


VIEW A-A



VIEW B-B

TYPICAL BEARING BOXOUT DETAILS
SCALE: 1/2" = 1'-0"

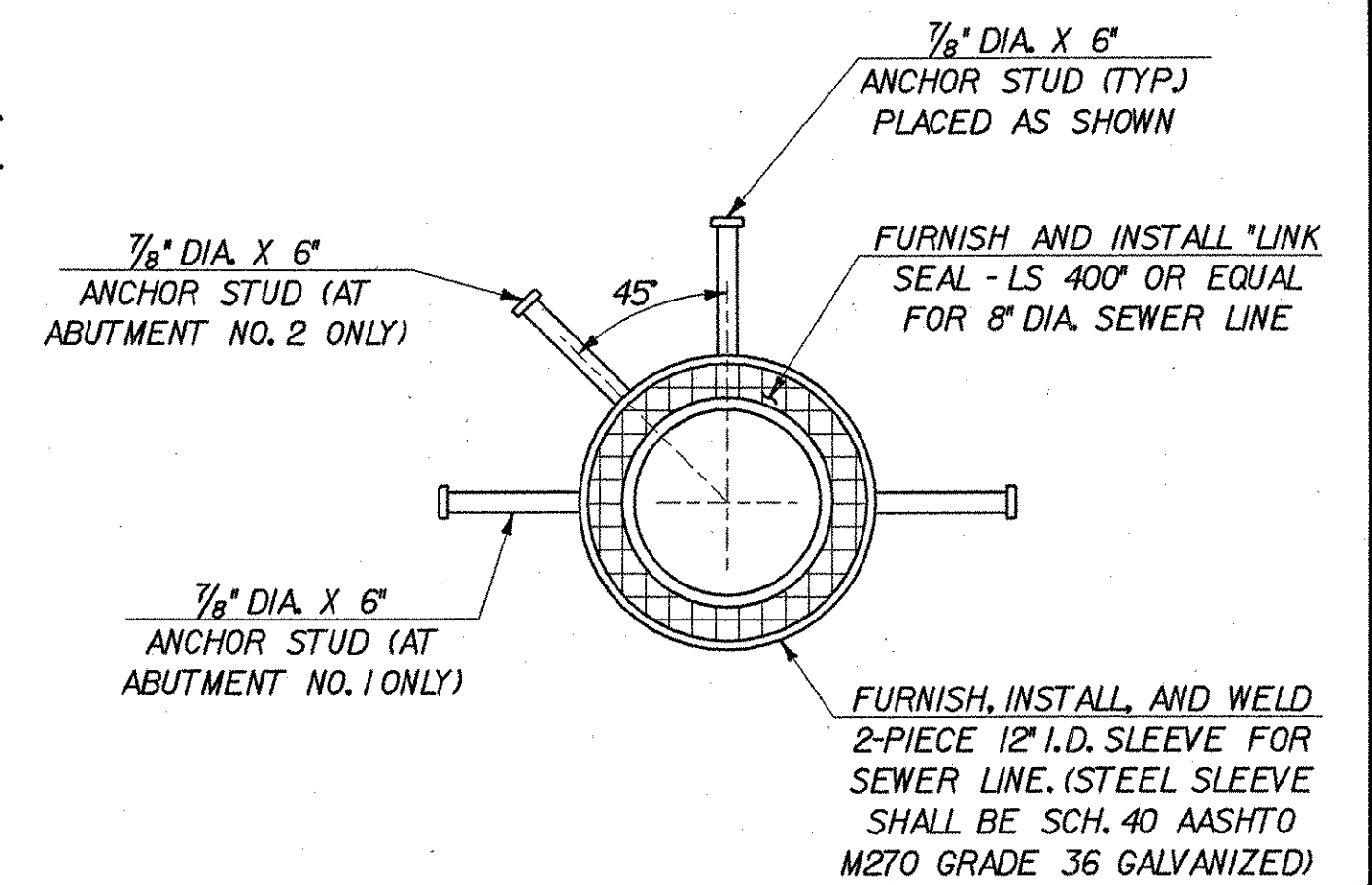


CURTAIN WALL ELEVATION

SCALE: 1" = 1'-0"
ABUTMENT NO. 1 SHOWN, ABUTMENT NO. 2 SIMILAR

BEAM 2 BEARING BOXOUT DETAILS

SCALE: 1/2" = 1'-0"



PIPE SLEEVE DETAIL

SCALE: 1/2" = 1'-0"

NOTE: ALL COMPONENTS OF HANGERS, SLEEVES, INSULATION, AND PIPE ARE INCLUDED IN ITEM 628.60, SEWER MAIN ON BRIDGE (8').

STATE OF VERMONT
AGENCY OF TRANSPORTATION

Town Of	WARREN	Bridge No.	7
Highway No.	TH 1	Log Sta.	
		Surv. Sta.	
BROOK ROAD OVER FREEMAN BROOK			
CURTAIN WALL DETAILS			
Designed By	S. DELIA	Drawn By	S. DELIA
Checked By	Date	Bridge Design Supervisor	
R. JOY	02/07	R. ROONEY	Date 02/07
PROJECT	WARREN	PROJECT NO.	BHF 0188(7)
I.G.C. info. m:\549107-Warren\BRIDGE\Final\2\276wd.dgn			
Bridge Sheet No.		Sheet	20 of 36

