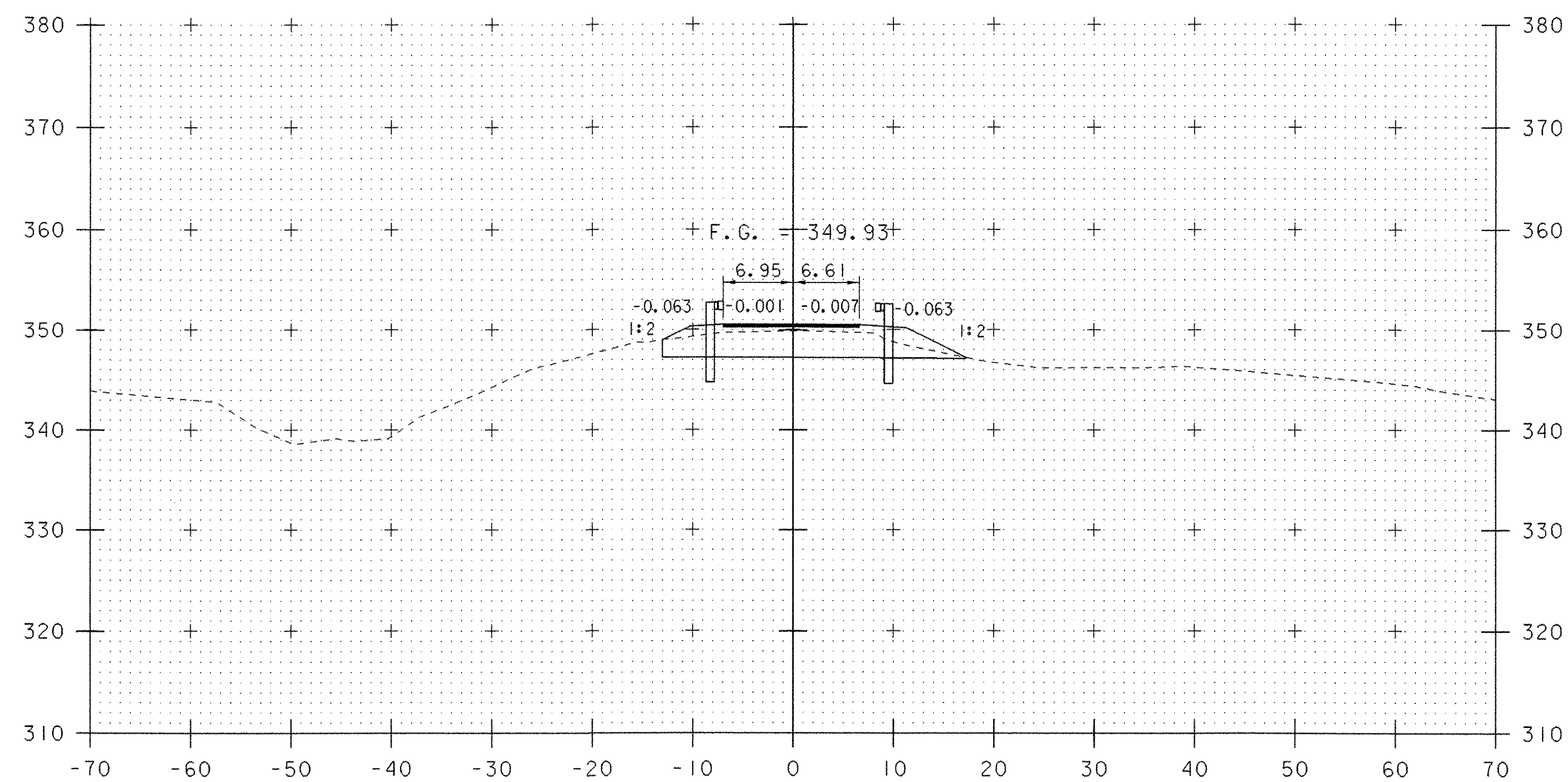


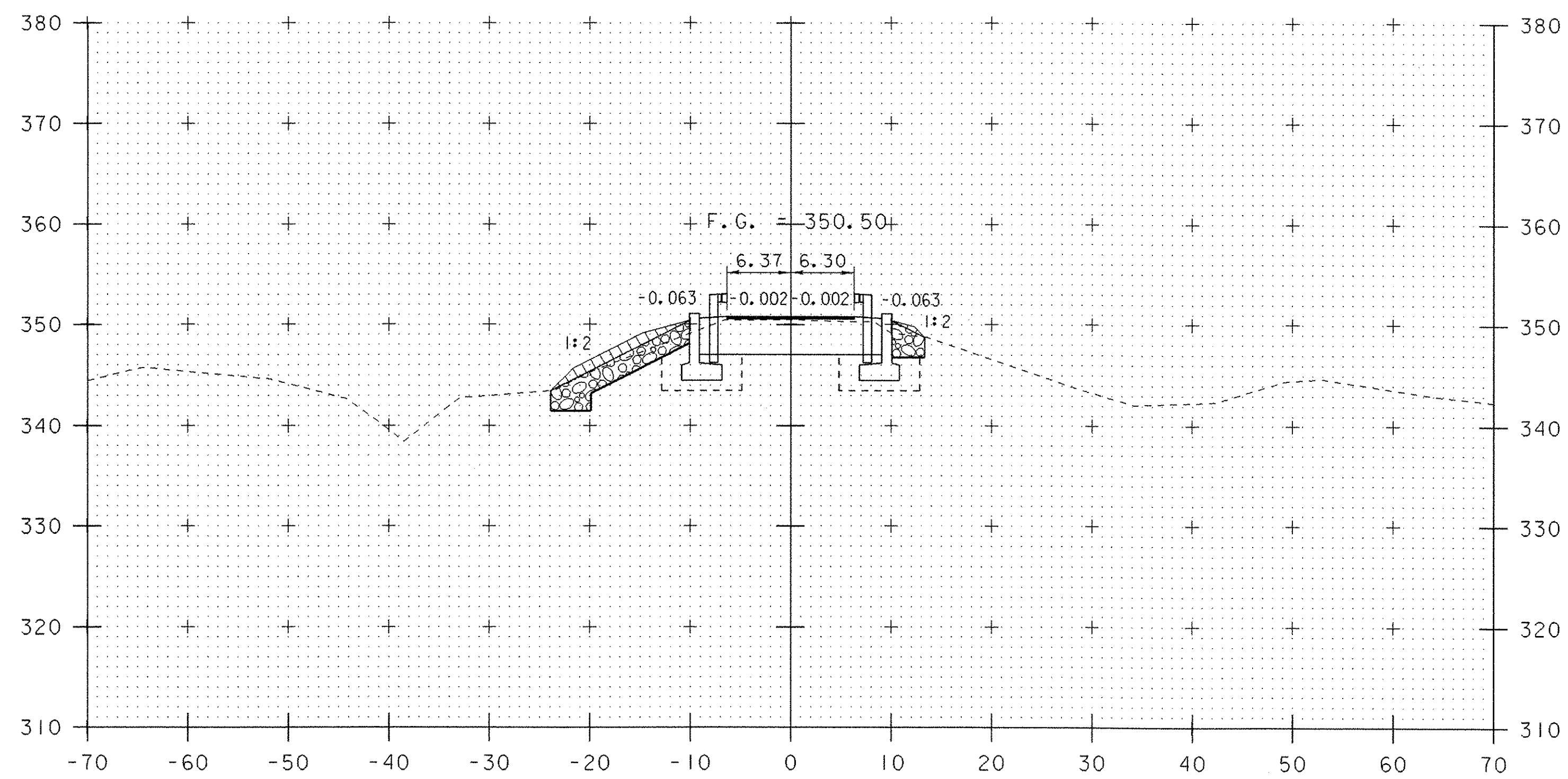
11+00

STA. 10+80.00
END ROADWAY
BEGIN BRIDGE



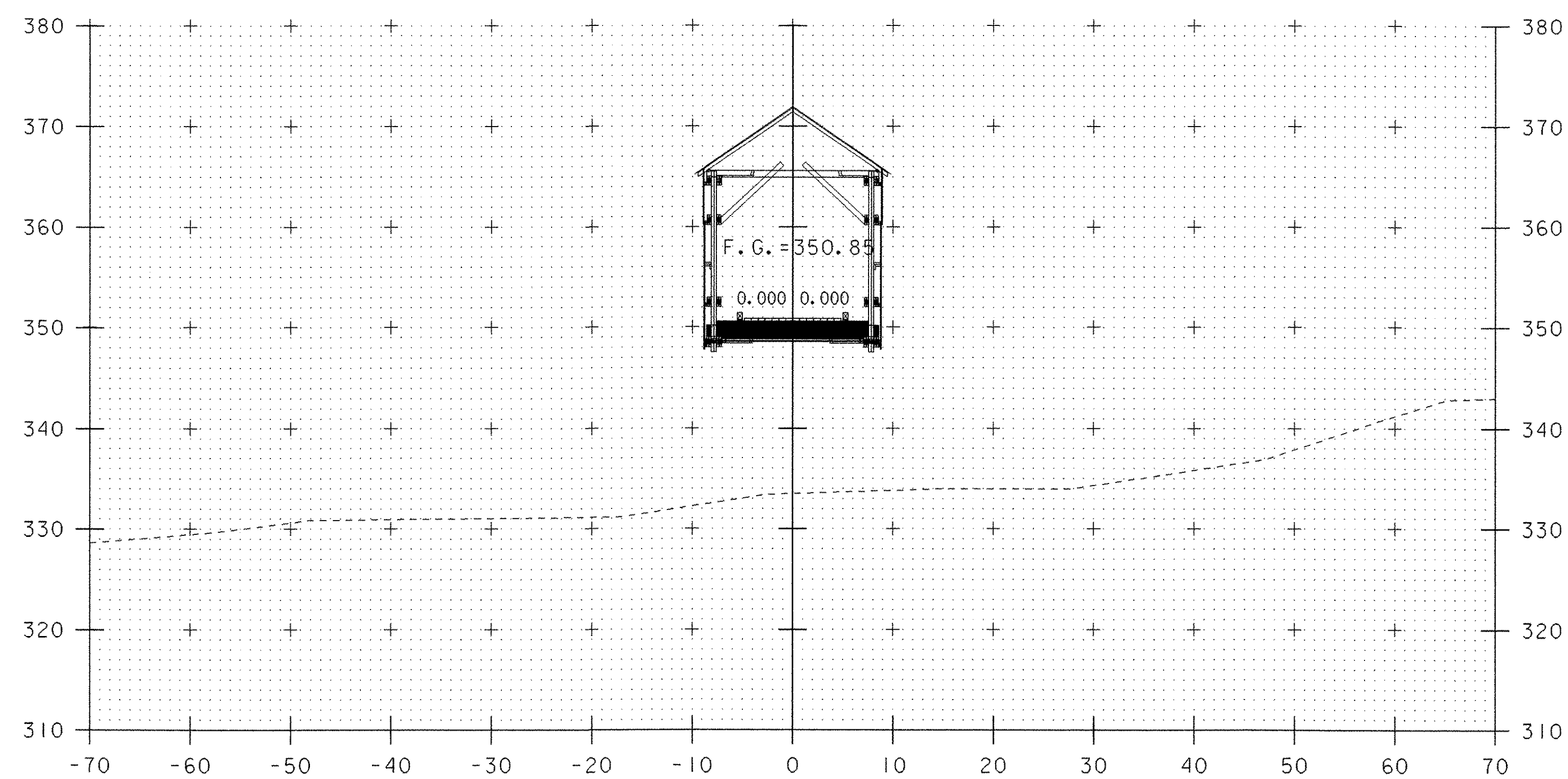
12+50

STA. 12+34.00
END BRIDGE
RESUME ROADWAY

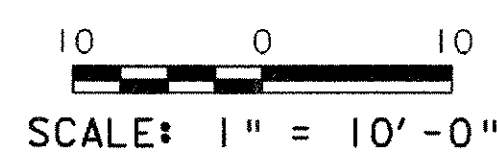


10+75

STA. 10+71.2 LT.
END STONE FILL, TYPE I SLOPE
BEGIN STONE FILL, TYPE II SLOPE



12+00



ROADWAY CROSS SECTIONS (3)

PROJECT NAME: SALISBURY - CORNWALL	PLOT DATE: 02-APR-2007
PROJECT NUMBER: BHO 1445 (27)	DRAWN BY: G. ROY
FILE NAME: 96j268\Structures\sj268m03.1	CHECKED BY: C. CARLSON
PROJECT MANAGER: R. R. WHITCOMB	SHEET 51 OF 60
DESIGNED BY: G. ROY	
STA. 10+75 - STA. 12+50	