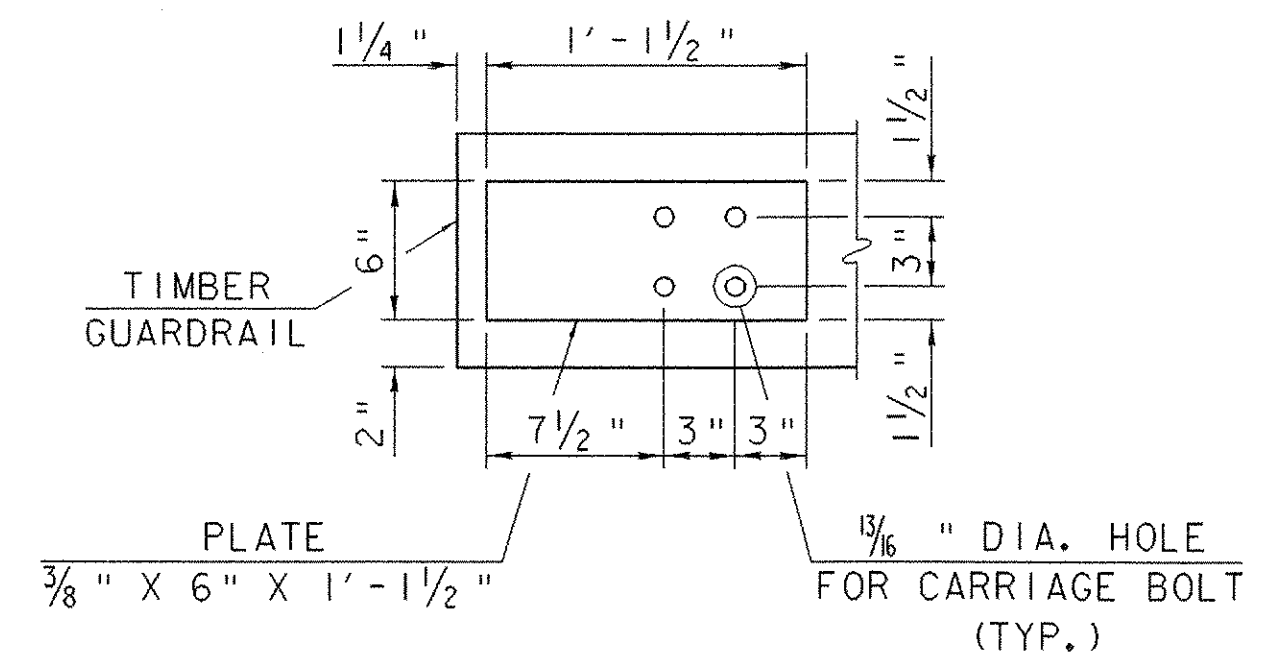
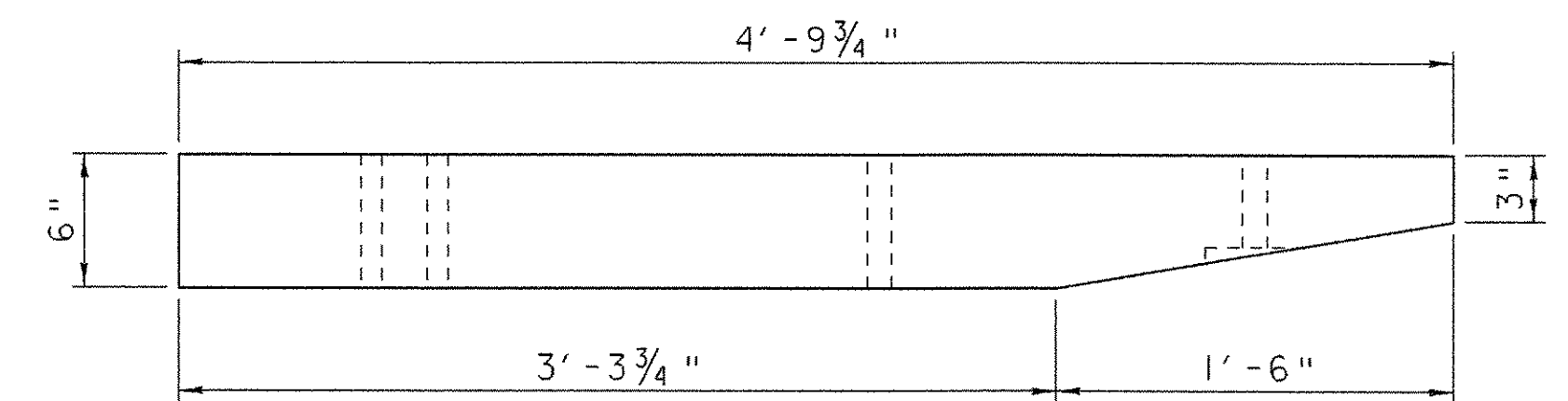
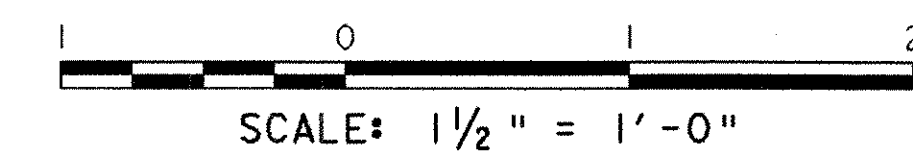


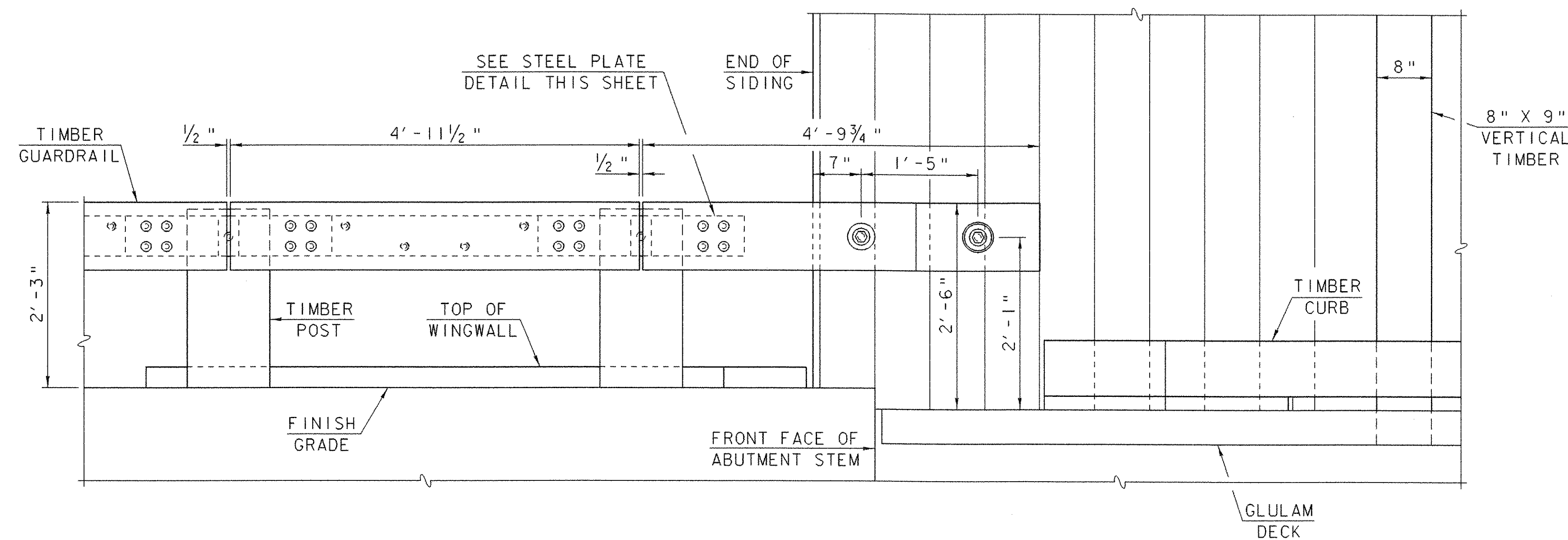
PLAN



STEEL PLATE DETAIL AT FIRST POST OFF BRIDGE

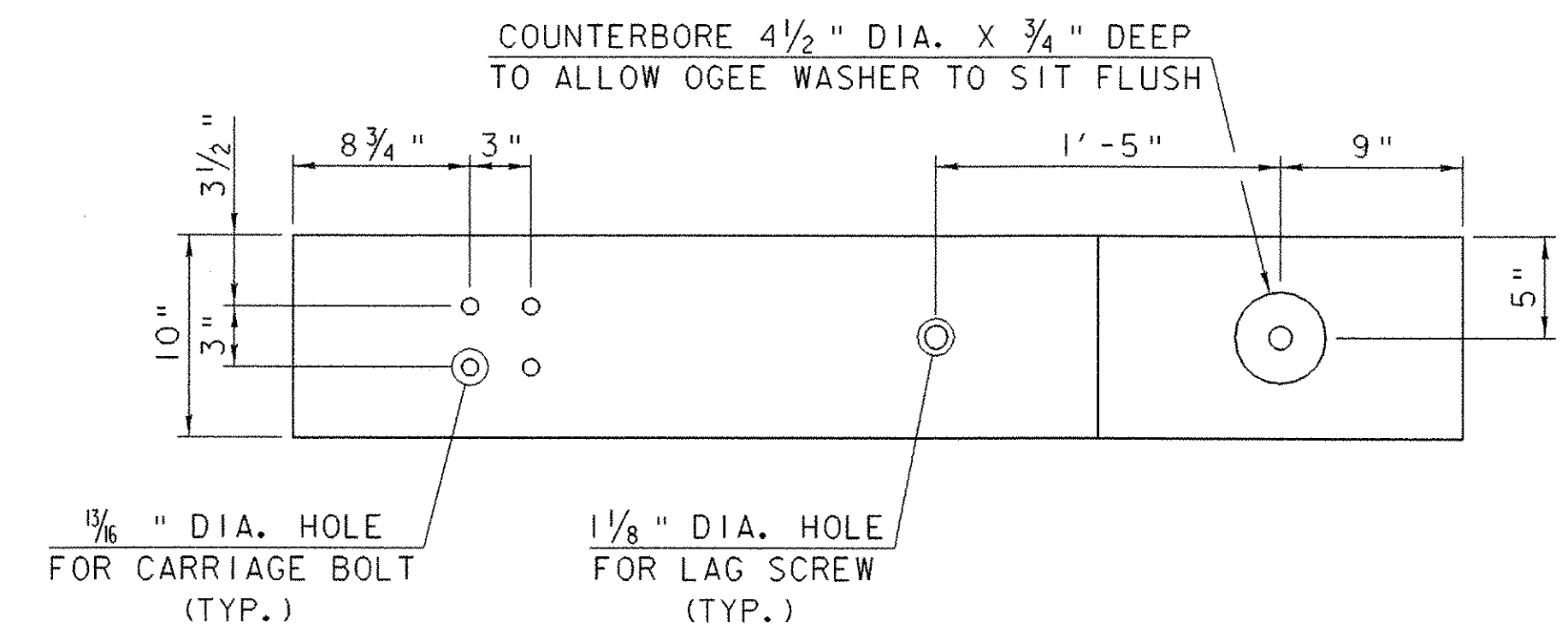
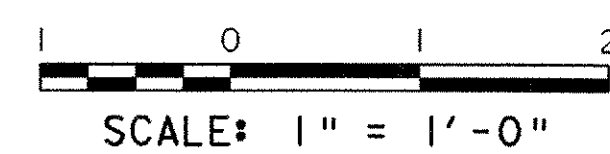


PLAN



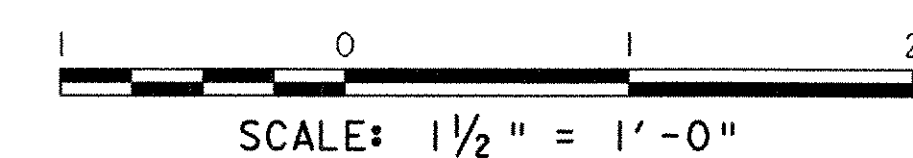
ELEVATION

GUARDRAIL DETAIL AT END OF COVERED BRIDGE



ELEVATION

TIMBER GUARDRAIL DETAIL AT COVERED BRIDGE



STEEL BACKED TIMBER GUARDRAIL DETAILS (3)

PROJECT NAME:	SALISBURY - CORNWALL	PLOT DATE:	02-APR-2007
PROJECT NUMBER:	BHO 1445 (27)	DRAWN BY:	G. ROY
FILE NAME:	96j268\Structures\sj268grd3.i	CHECKED BY:	C. CARLSON
PROJECT MANAGER:	R. WHITCOMB	SHEET	46 OF 60
DESIGNED BY:	G. ROY		