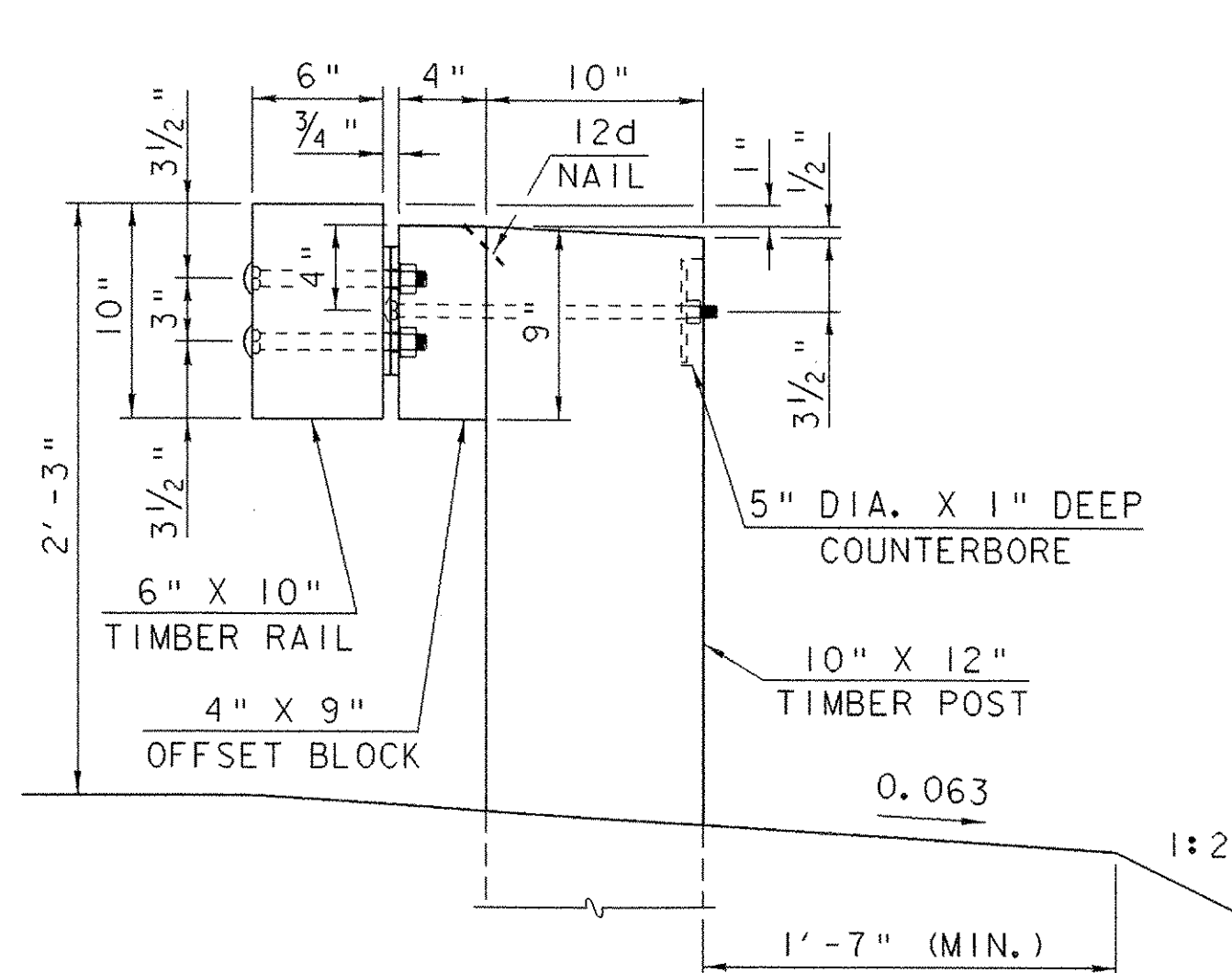
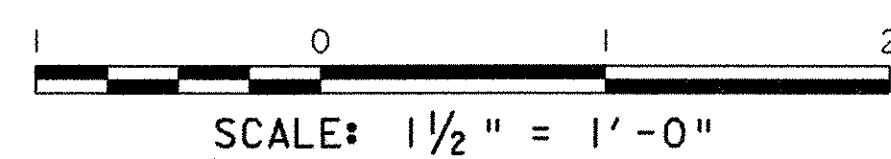
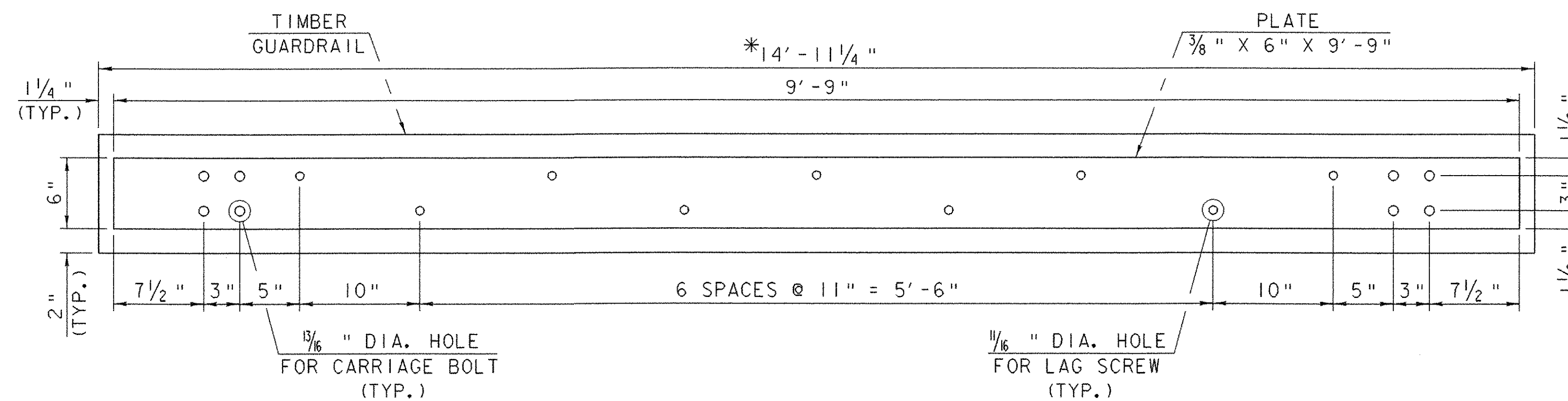
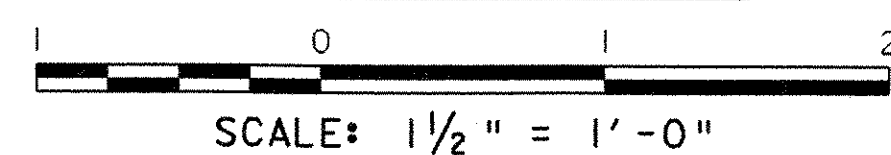


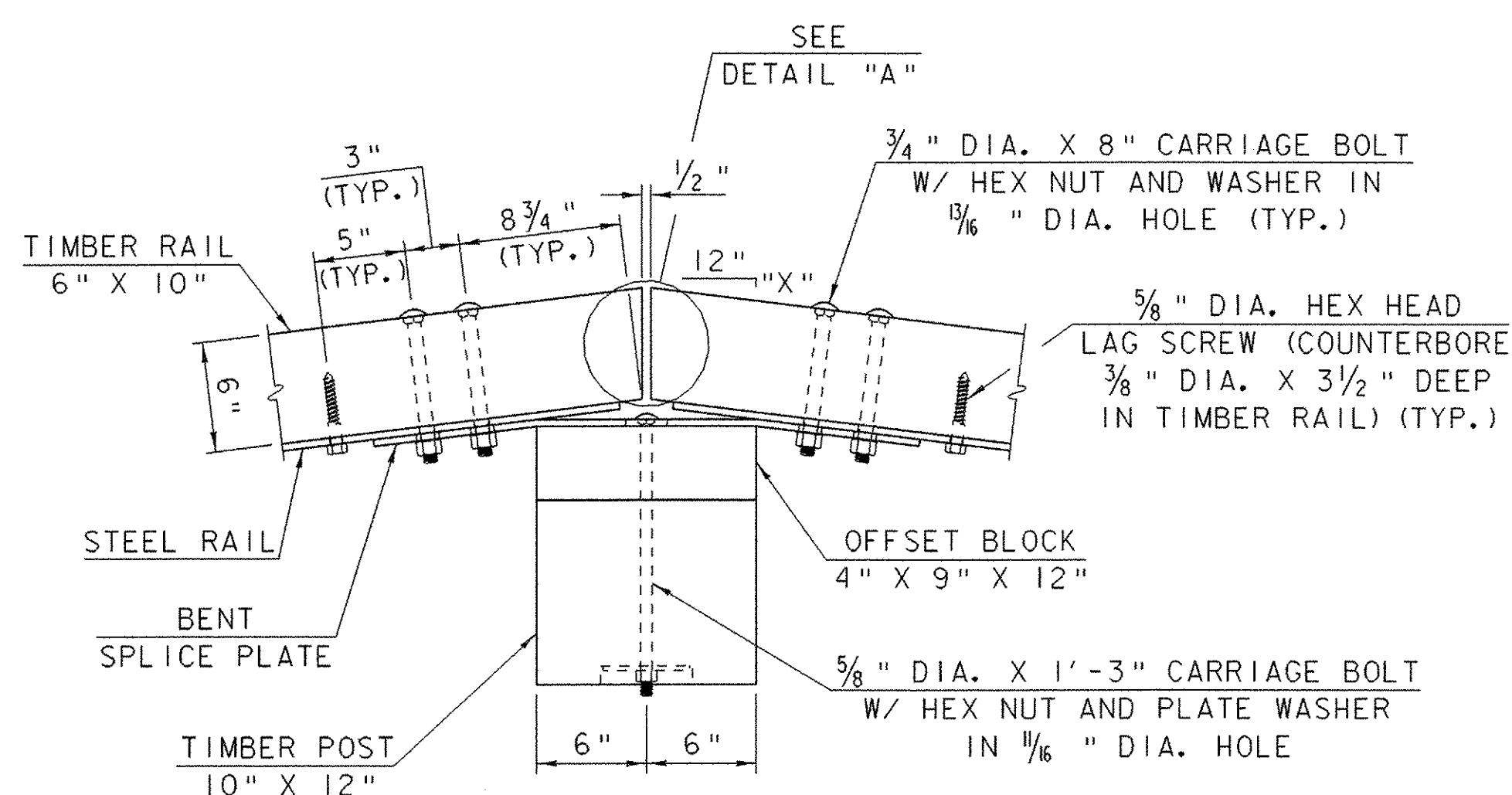
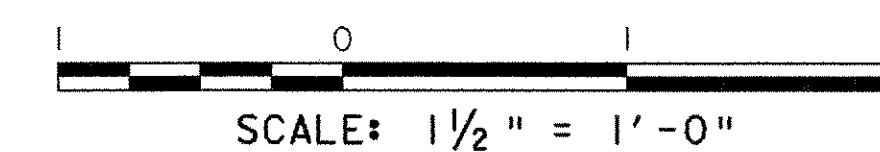
INTERMEDIATE POST CONNECTION ELEVATION



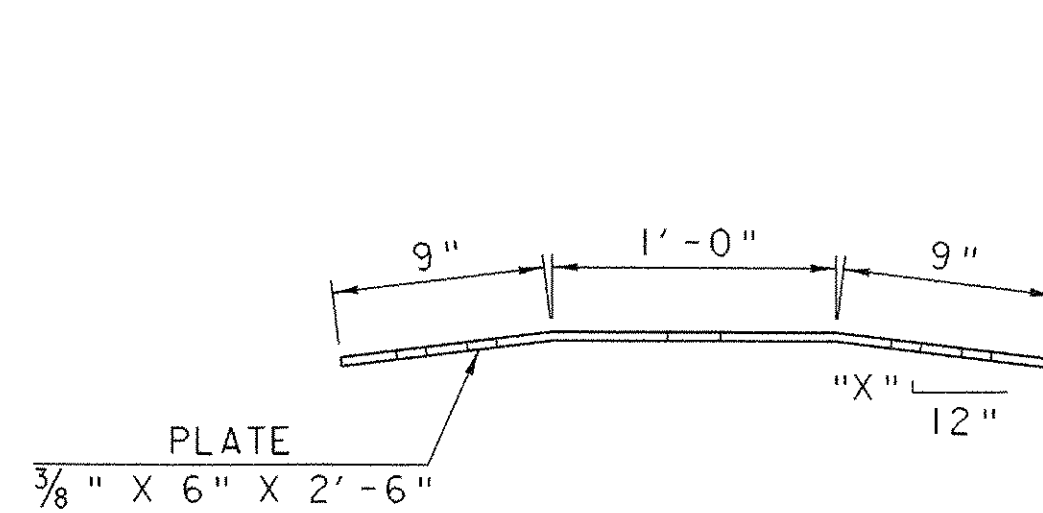
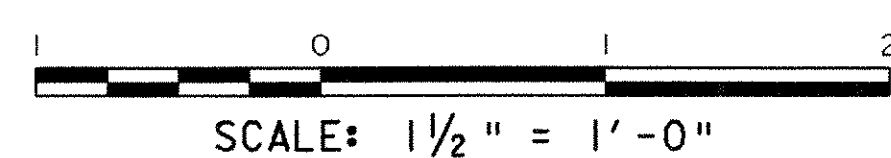
SECTION A-A



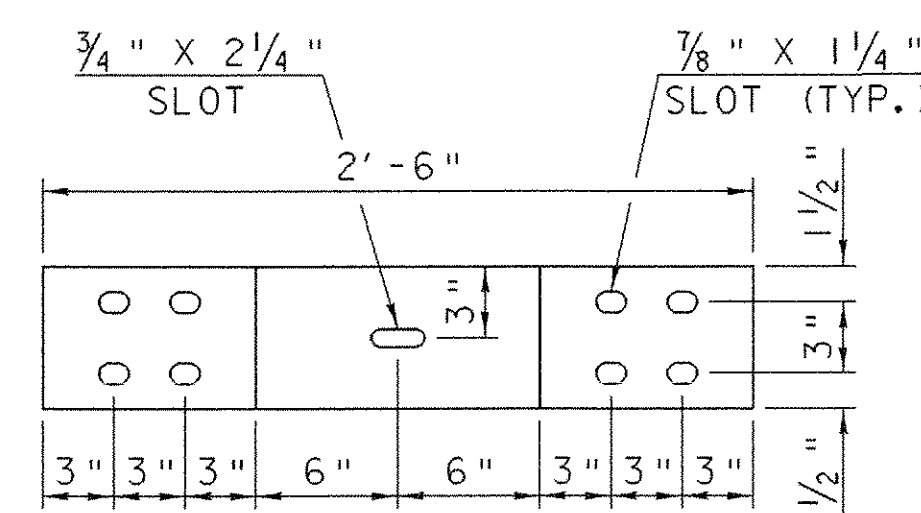
INTERMEDIATE STEEL PLATE DETAIL FOR 10'-0" POST SPACING



INTERMEDIATE POST CONNECTION PLAN

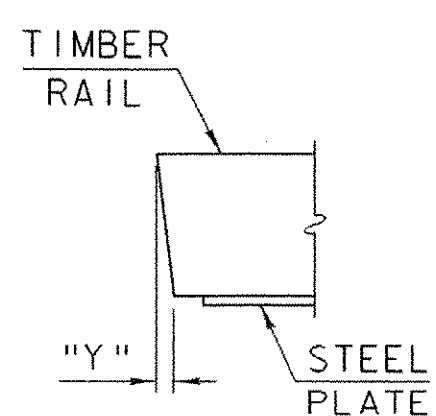
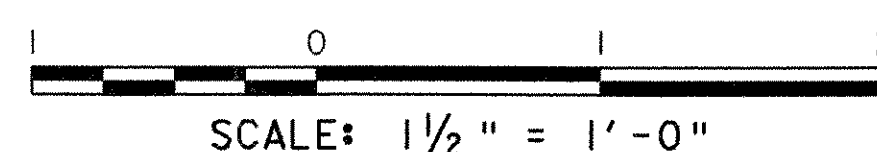


PLAN

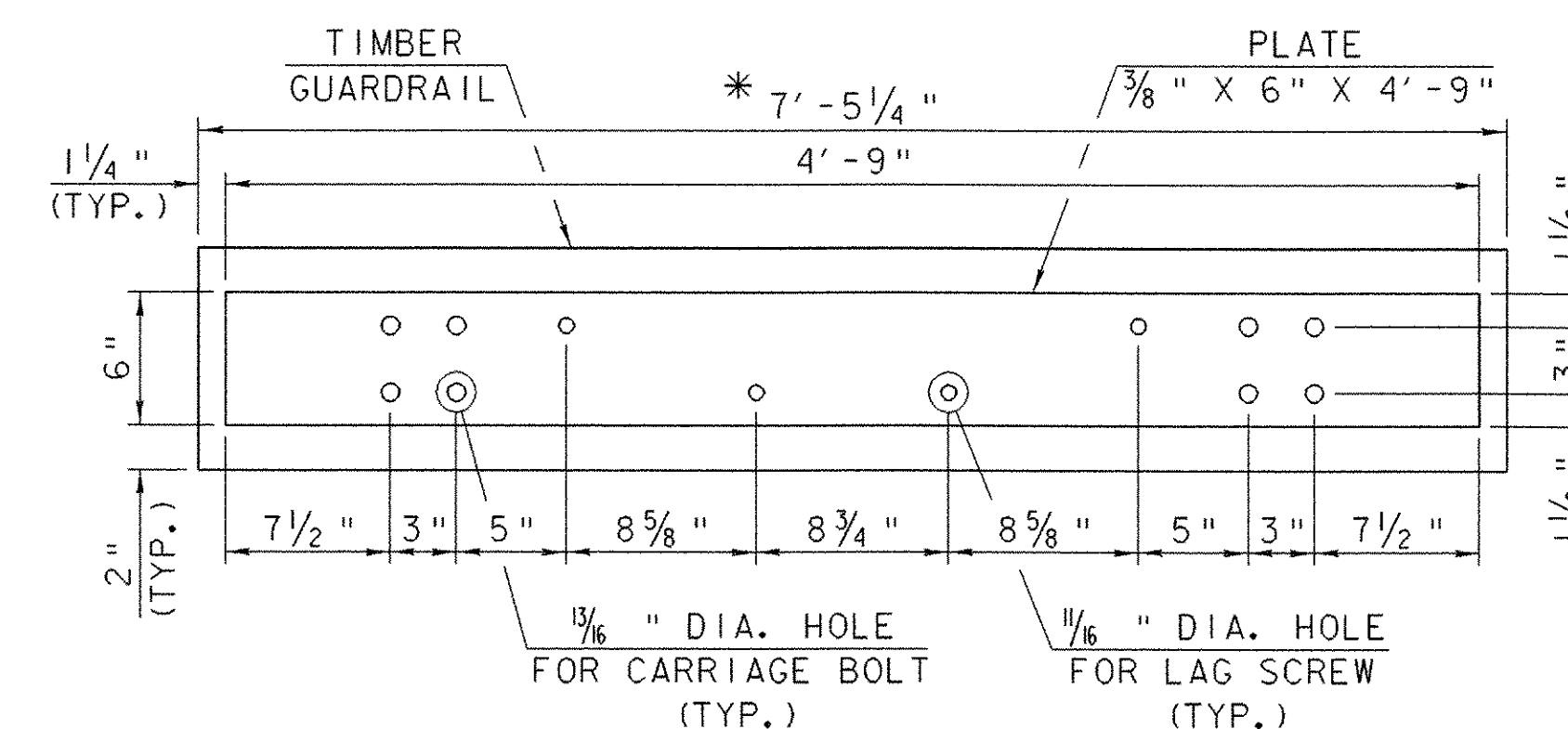
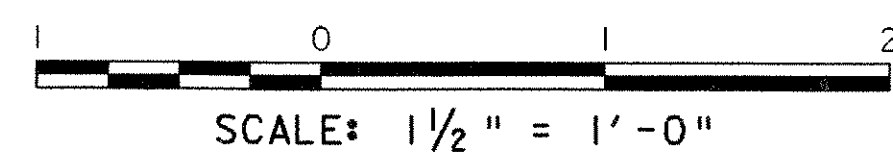


ELEVATION

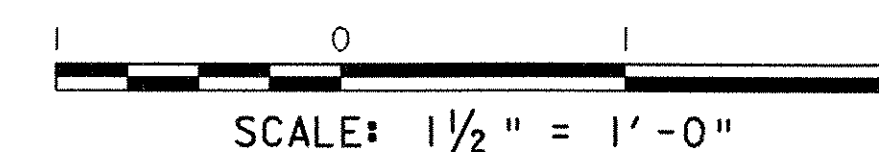
BENT SPLICE STEEL PLATE DETAIL



DETAIL "A"



INTERMEDIATE STEEL PLATE DETAIL FOR 5'-0" POST SPACING



* DIMENSION IS MEASURED ALONG BACK FACE OF TIMBER RAIL FOR 10'-0" AND 5'-0" POST SPACING. SEE "Y" VALUE IN TABLES TO ADD/SUBTRACT FROM TIMBER RAIL DIMENSION TO ACHIEVE FRONT FACE OF RAIL LENGTH AND ESTABLISH CUTTING ANGLE.

POST NO.	"X"	"Y"
1L7	1 1/2"	3/4"
1L6	3/4"	3/8"
1L5	1/8"	1/16"
1L4	1/8"	1/16"
1L3	1/8"	1/16"
1L2	1/16"	1/32"

POST NO.	"X"	"Y"
1R7	1 1/2"	3/4"
1R6	3/4"	3/8"
1R5	1/8"	1/16"
1R4	1/2"	1/4"
1R3	1/2"	1/4"
1R2	1/4"	1/8"

POST NO.	"X"	"Y"
2L2	3/8"	3/16"
2L3	0"	0"
2L4	3/4"	3/8"
2L5	1 1/2"	3/4"

POST NO.	"X"	"Y"
2R2	1/2"	1/4"
2R3	1 1/2"	3/4"

STEEL BACKED TIMBER GUARDRAIL DETAILS (2)

PROJECT NAME: SALISBURY - CORNWALL
PROJECT NUMBER: BHO 1445 (27)

FILE NAME: 96j268\Structures\sj268grd2.i PLOT DATE: 02-APR-2007
PROJECT MANAGER: R. WHITCOMB DRAWN BY: G. ROY
DESIGNED BY: G. ROY CHECKED BY: C. CARLSON
SHEET 45 OF 60