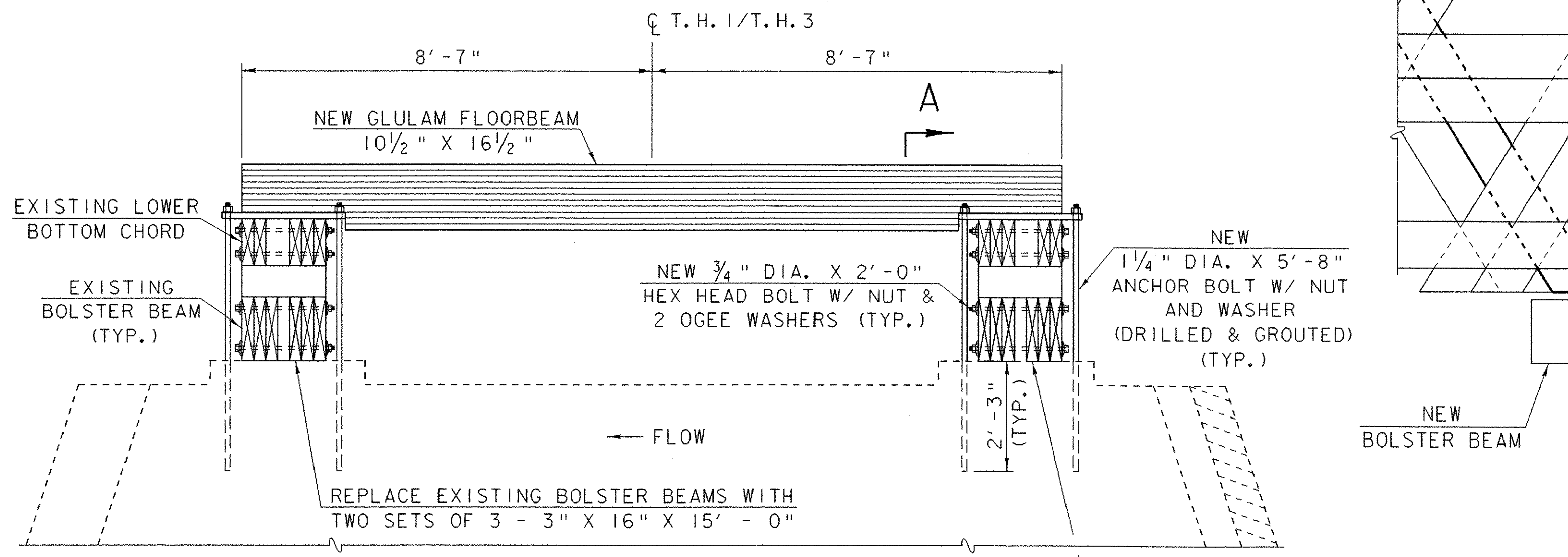
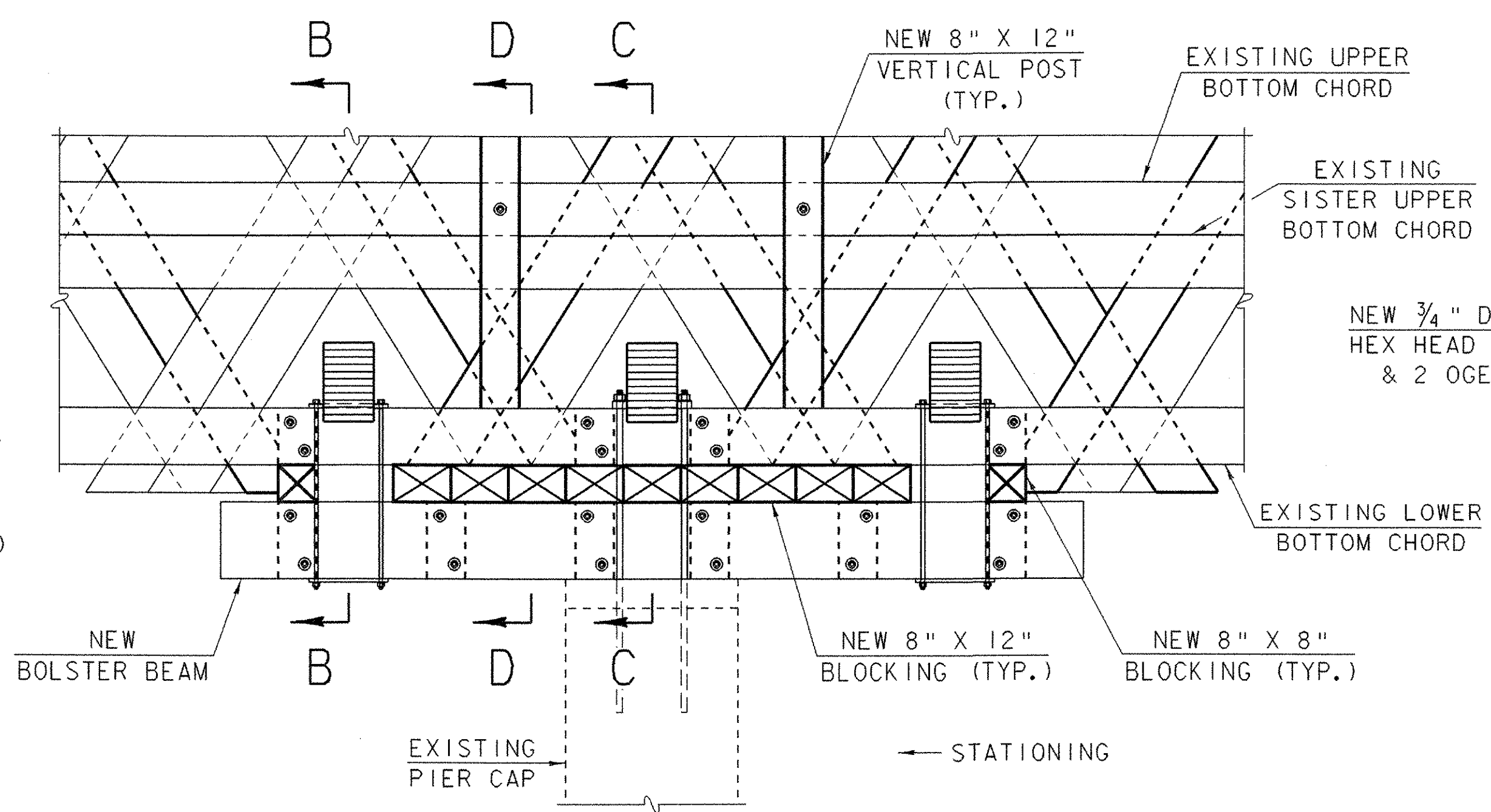


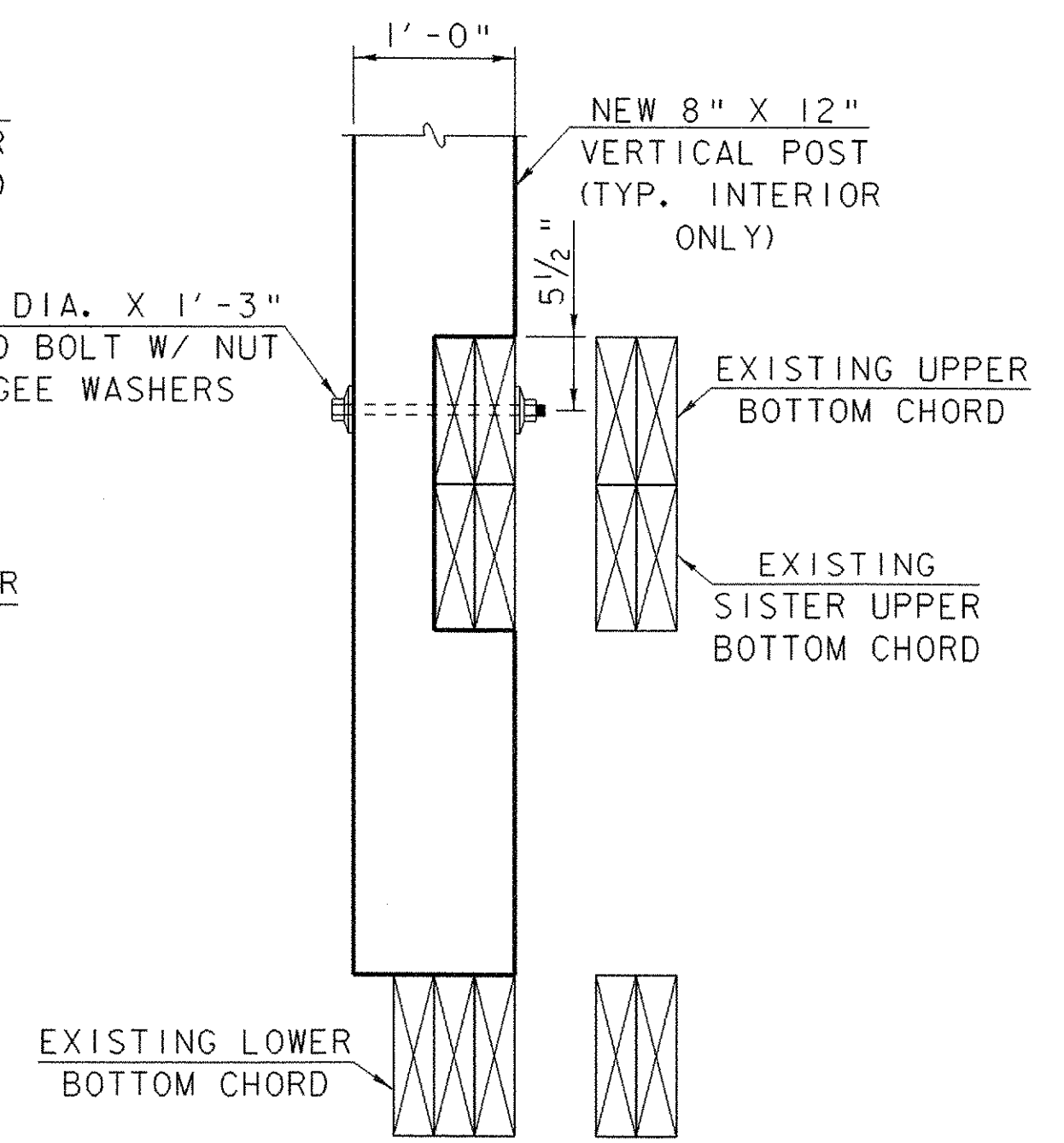
NOTE:
EXISTING ANCHOR BOLTS SHALL BE CUT FLUSH WITH TOP OF CONCRETE.



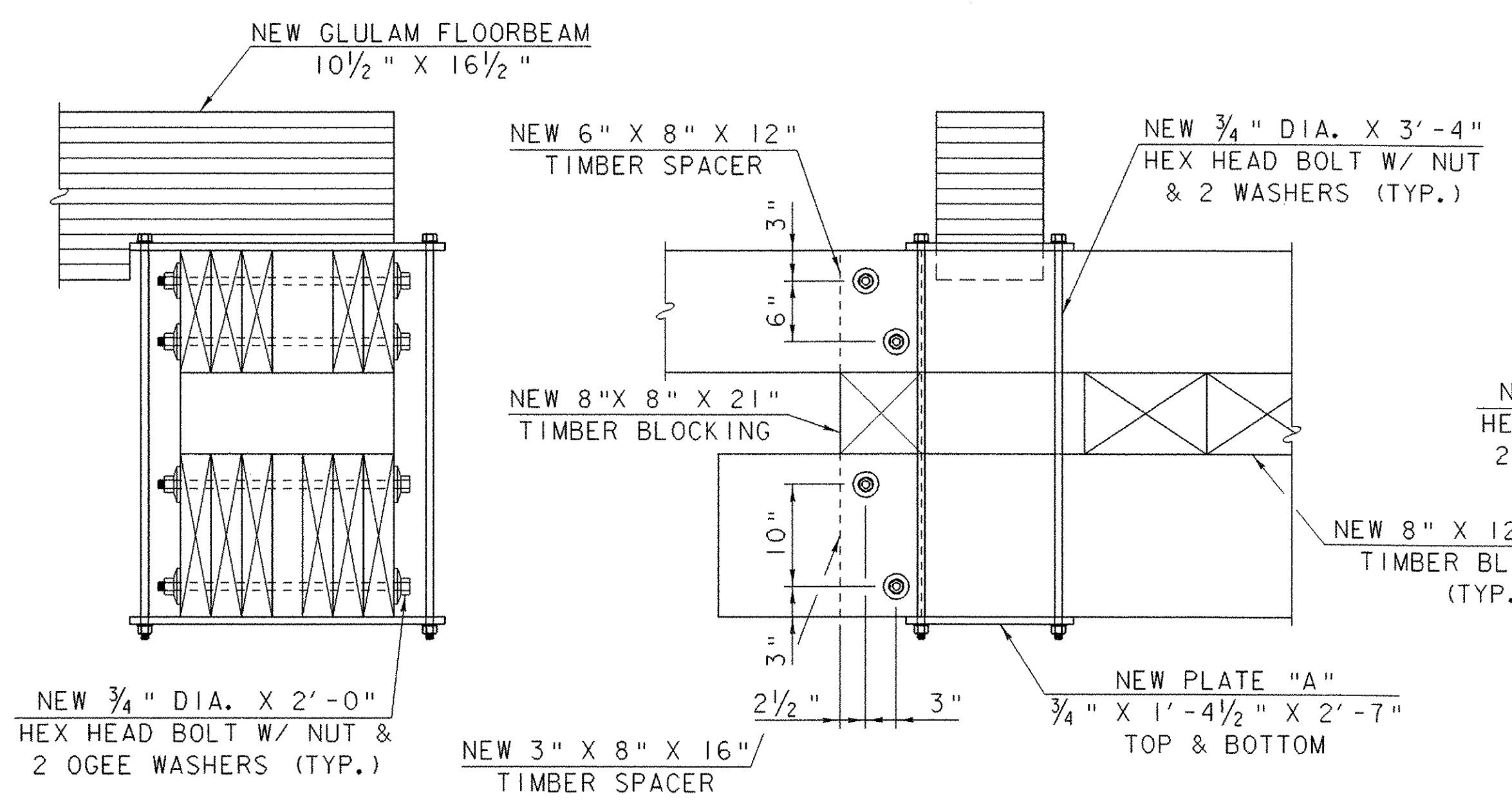
PIER ELEVATION
SCALE: 1/2" = 1'-0"



SECTION A-A
SCALE: 1/2" = 1'-0"

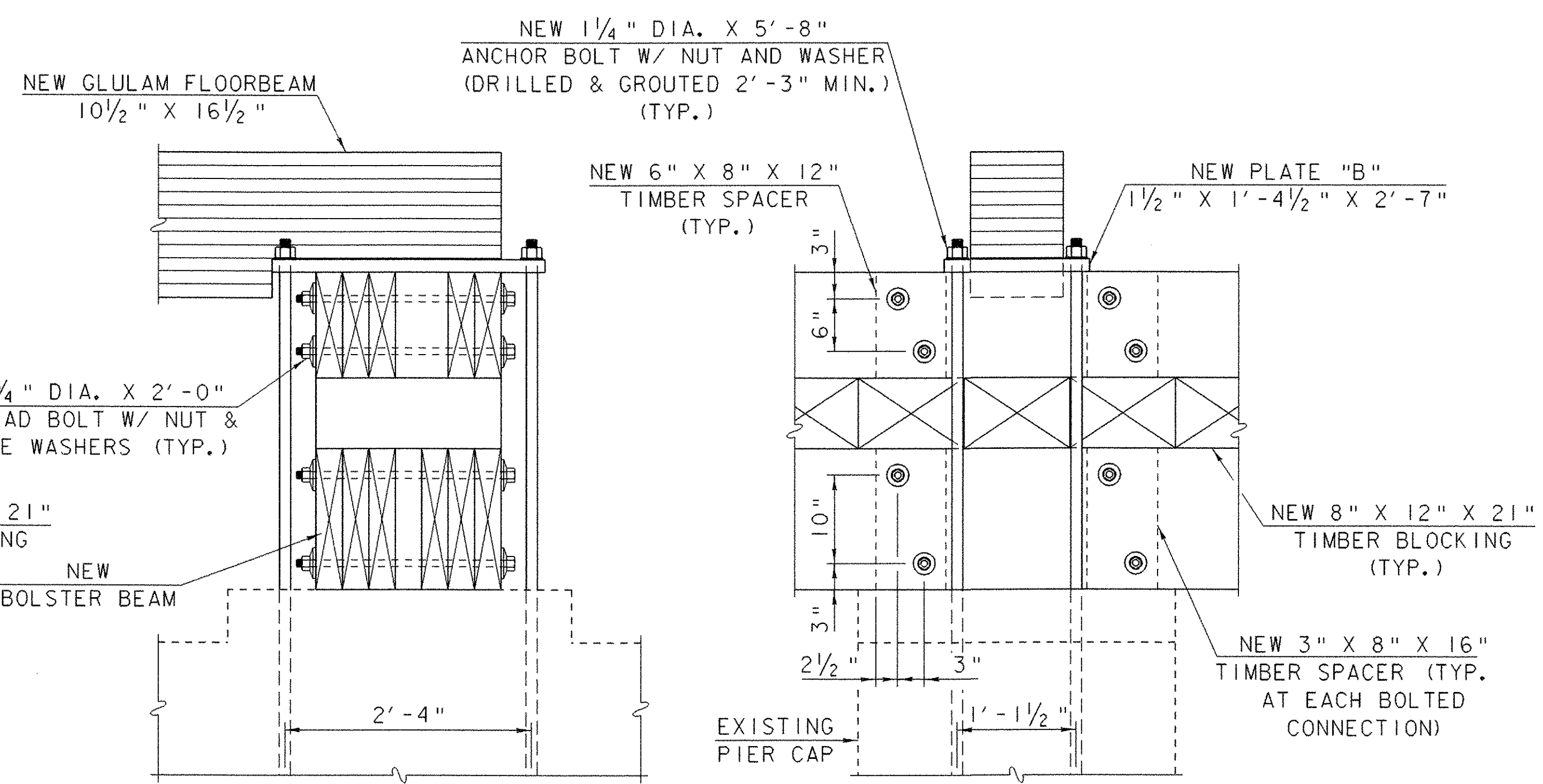


SECTION D-D
SCALE: 1" = 1'-0"



SECTION B-B
SCALE: 1" = 1'-0"

ELEVATION B-B
SCALE: 1" = 1'-0"



SECTION C-C
SCALE: 1" = 1'-0"

ELEVATION C-C
SCALE: 1" = 1'-0"

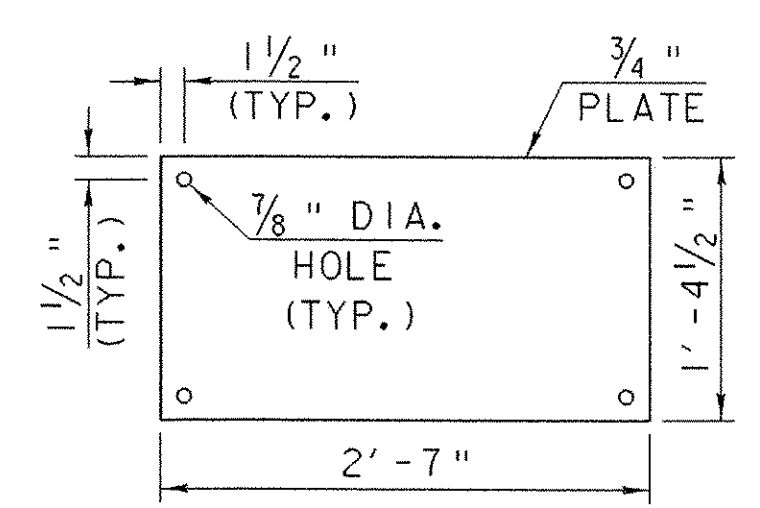


PLATE "A"

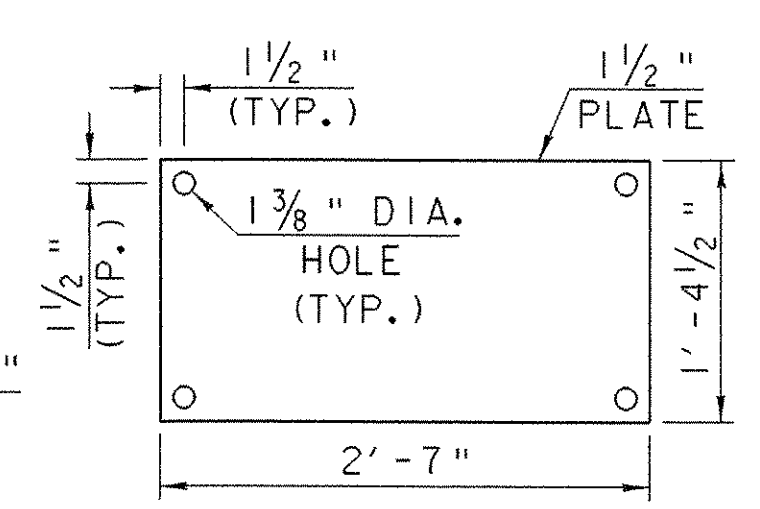


PLATE "B"

PLATE DETAILS

SCALE: 1" = 1'-0"

PIER DETAILS

PROJECT NAME:	SALISBURY - CORNWALL
PROJECT NUMBER:	BHO 1445 (27)
FILE NAME:	96j268\Structures\sj268pier.i
PROJECT MANAGER:	R. WHITCOMB
DESIGNED BY:	C. CARLSON
PLOT DATE:	02-APR-2007
DRAWN BY:	M. HALE
CHECKED BY:	C. CARLSON
SHEET	42 OF 60