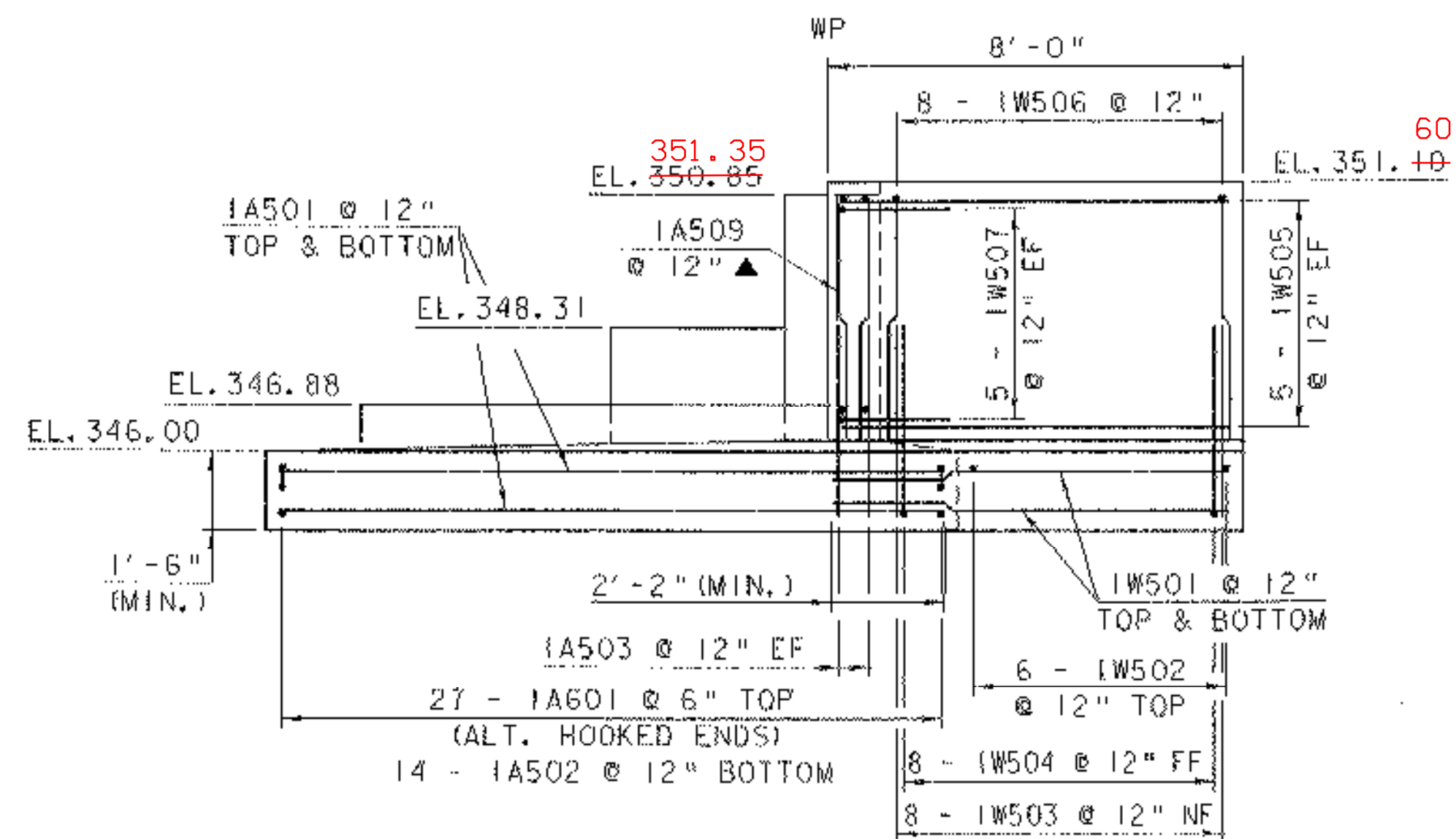


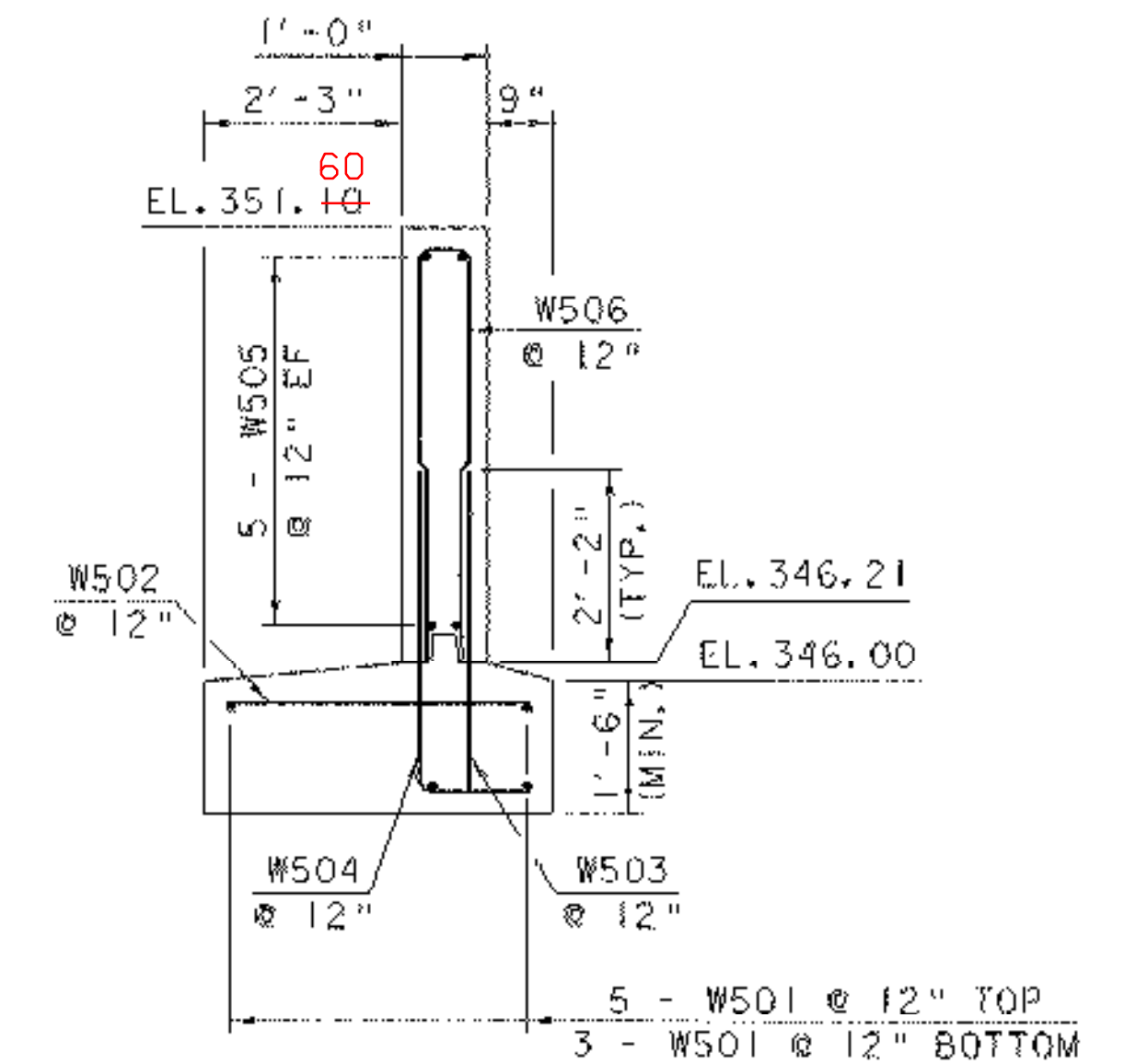
WINGWALL NO. 2 ELEVATION

SCALE: 3/8" = 1'-0"



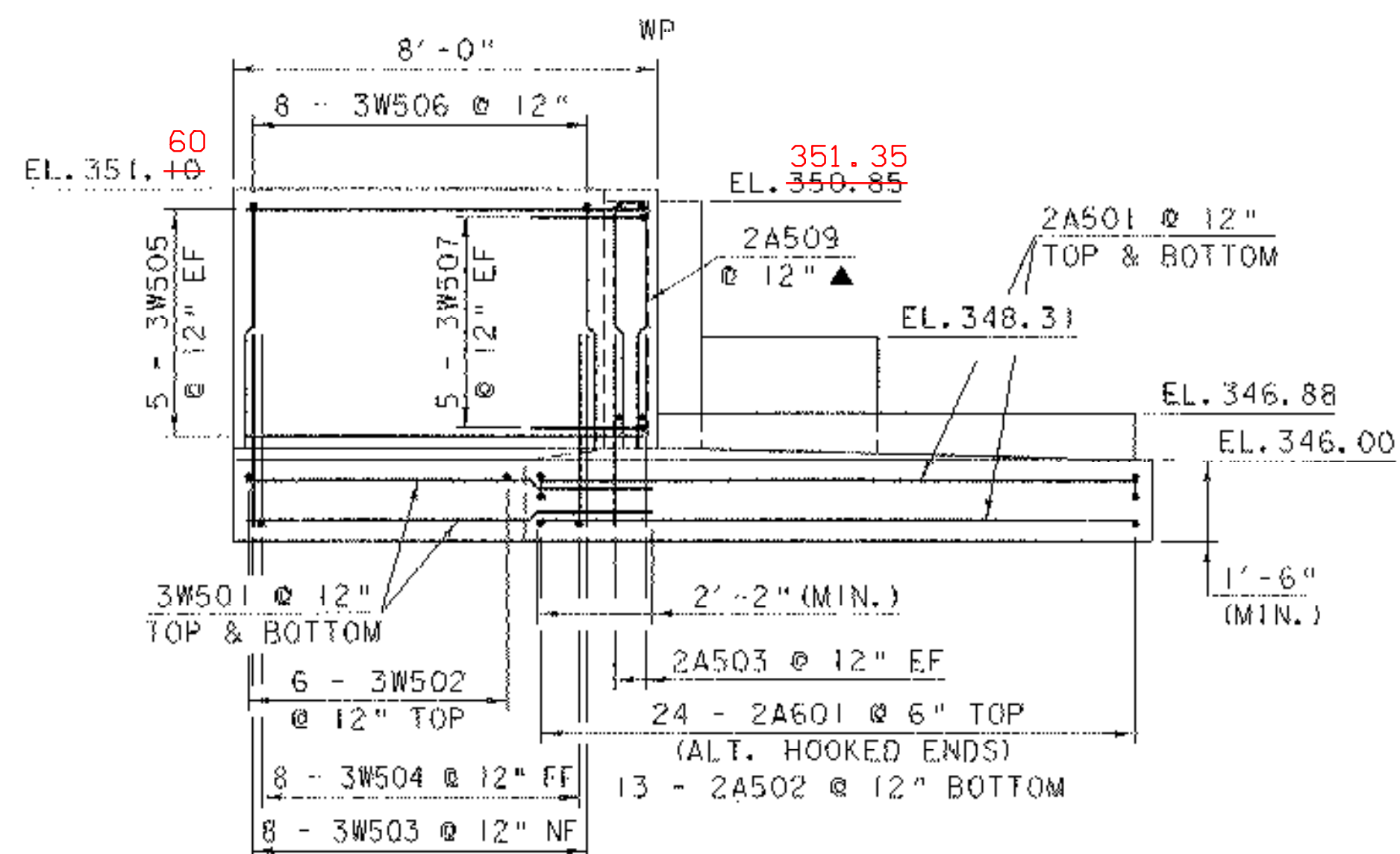
WINGWALL NO. 1 ELEVATION

SCALE: 3/8" = 1'-0"



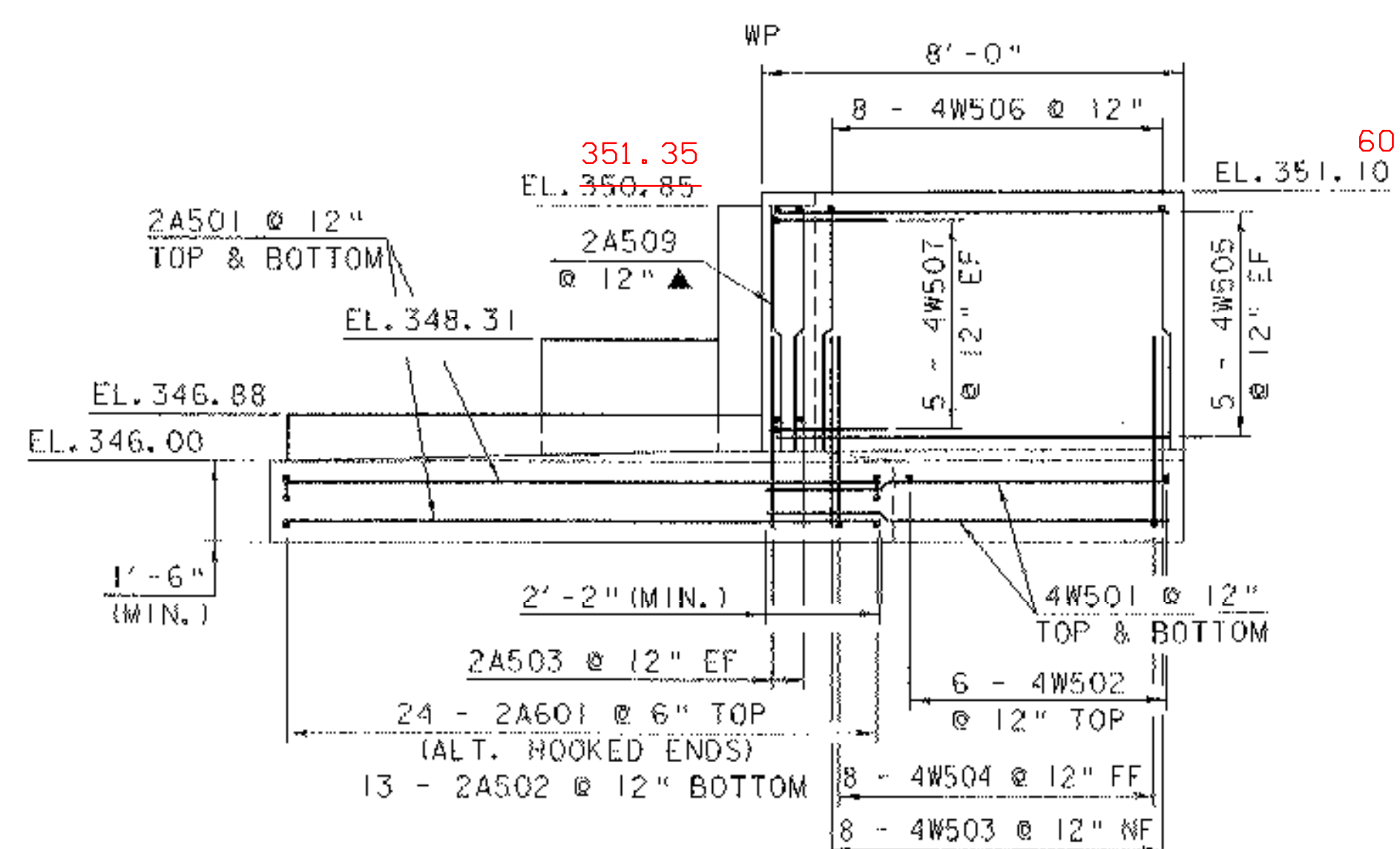
WINGWALL TYPICAL SECTION

SCALE: 1/2" = 1'-0"



WINGWALL NO. 3 ELEVATION

SCALE: 3/8" = 1'-0"



WINGWALL NO. 4 ELEVATION

SCALE: 3/8" = 1'-0"

**NOTE:**

- NF = NEAR FACE
- FF = FAR FACE
- EF = EACH FACE
- ▲ = CUT TO FIT IN FIELD
- 3" CLR. UNLESS OTHERWISE SPECIFIED ON THE PLANS.

**WINGWALL DETAILS**

PROJECT NAME:	SALISBURY - CORNWALL
PROJECT NUMBER:	BHO 1445 (27)
FILE NAME:	96\268\Structures\268wvd.1
PROJECT MANAGER:	R. WHITCOMB
DESIGNED BY:	C. CARLSON
PLOT DATE:	02-APR-2007
DRAWN BY:	G. ROY
CHECKED BY:	C. CARLSON
SHEET	41 OF 60