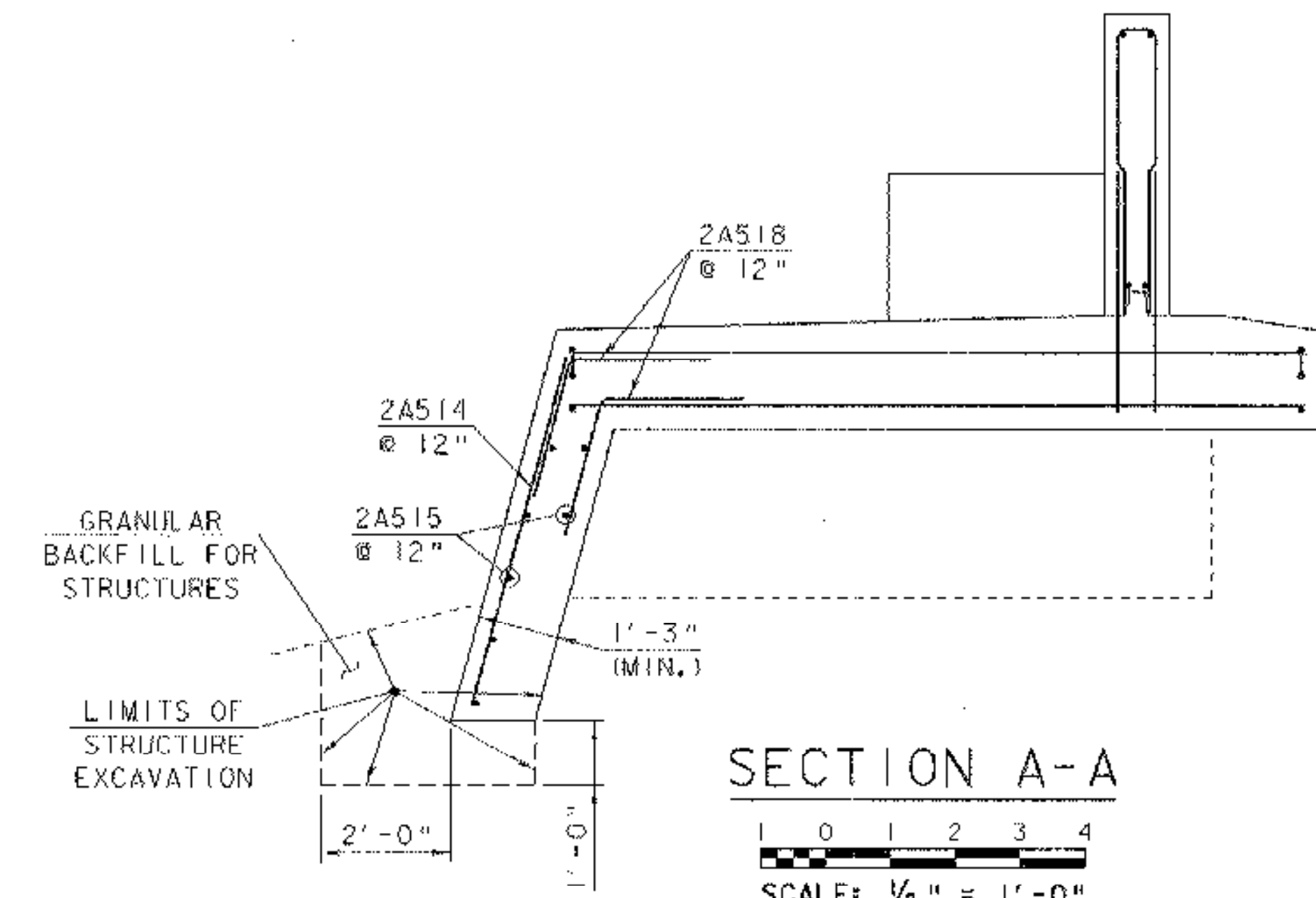
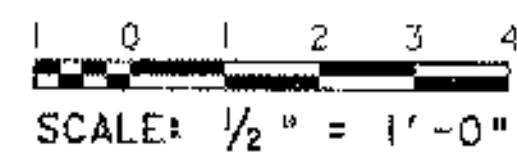
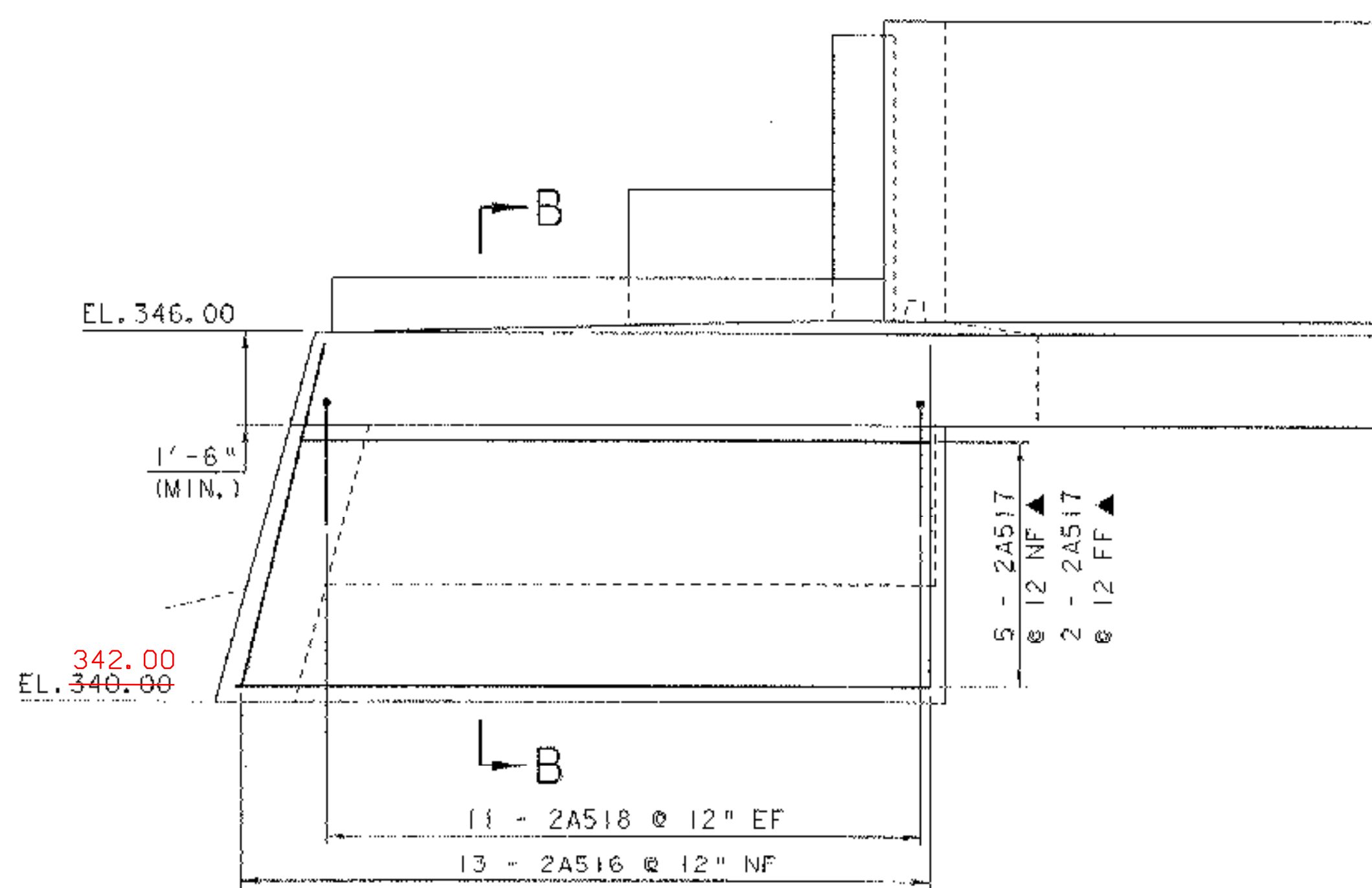
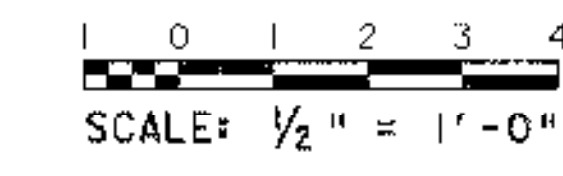


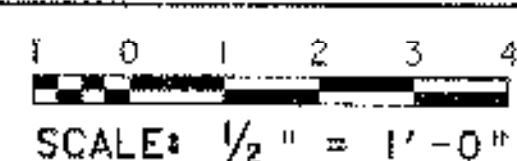
ABUTMENT NO. 2 ELEVATION



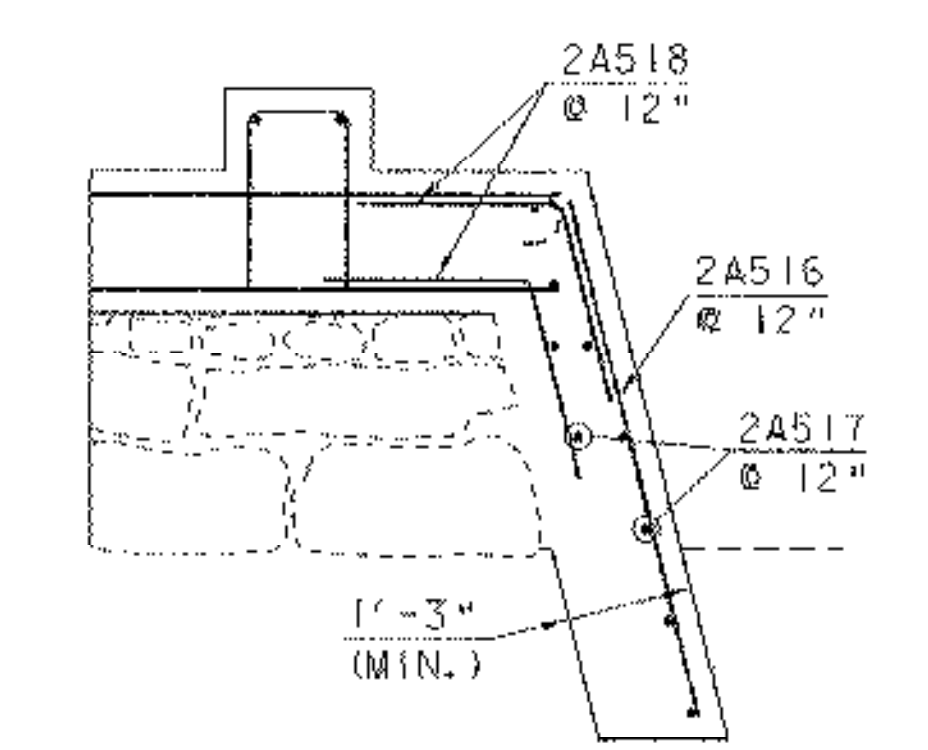
SECTION A-A



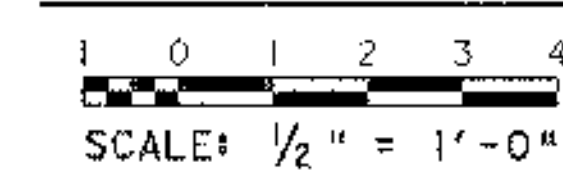
WINGWALL NO. 4 ELEVATION



(WINGWALL NO. 3 SIMILAR)



SECTION B-B



NOTE:

- NF = NEAR FACE
- FF = FAR FACE
- EF = EACH FACE
- ▲ = CUT TO FIT IN FIELD
- 3" CLR. UNLESS OTHERWISE SPECIFIED ON THE PLANS.

ABUTMENT NO. 2
CONCRETE FACING DETAILS

PROJECT NAME:	SALISBURY - CORNWALL	PLOT DATE:	02-APR-2007
PROJECT NUMBER:	BHO 1445 (27)	DRAWN BY:	G. ROY
FILE NAME:	961268\structures\sj268cfd.l	CHECKED BY:	C. CARLSON
PROJECT MANAGER:	R. WHITCOMB	SHEET	40 OF 60
DESIGNED BY:	C. CARLSON		