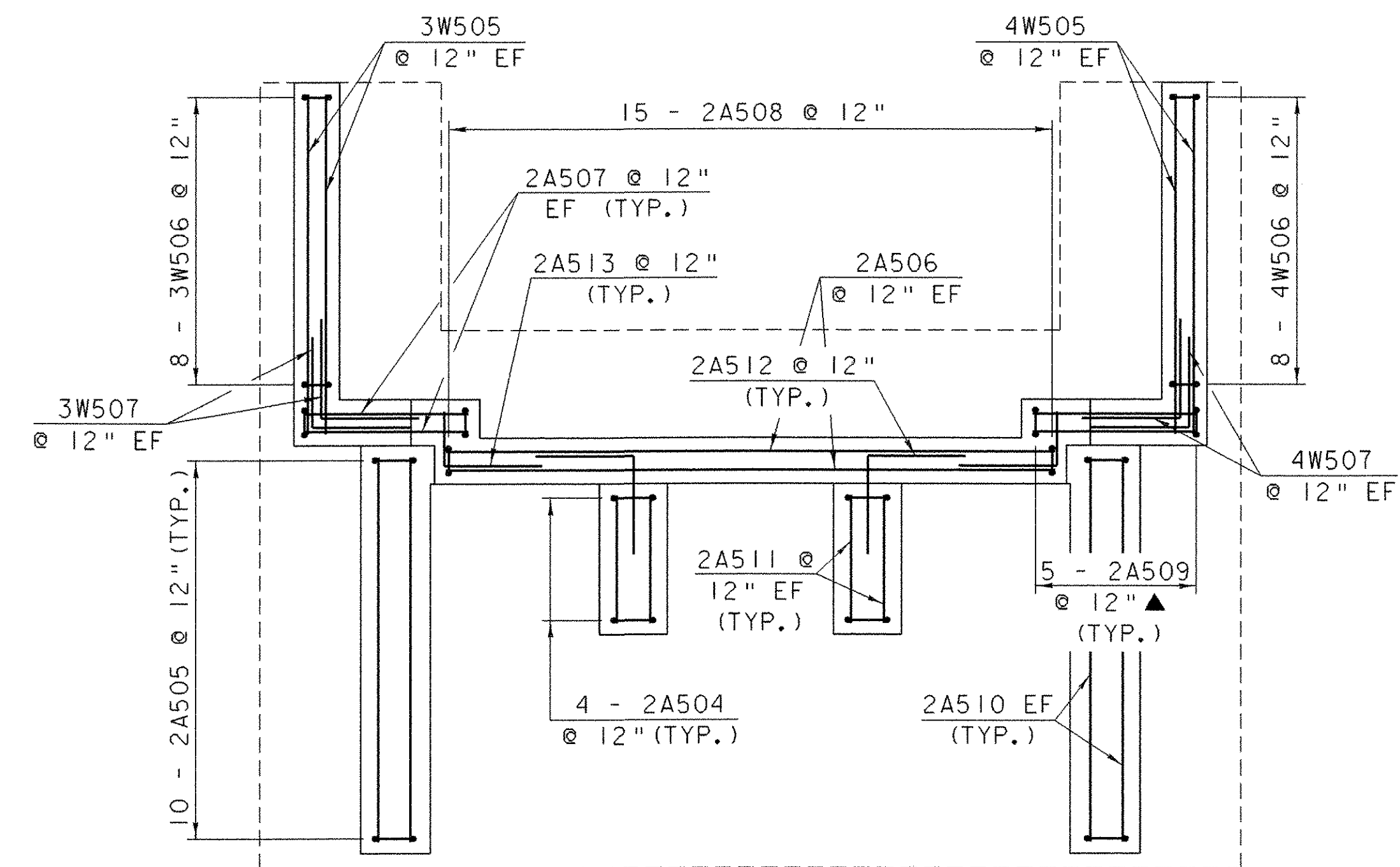


ABUTMENT NO. 1 STEM  
REINFORCING PLAN

1 0 1 2 3 4 5  
SCALE: 3/8" = 1'-0"



ABUTMENT NO. 2 STEM  
REINFORCING PLAN

1 0 1 2 3 4 5  
SCALE: 3/8" = 1'-0"

**NOTE:**

NF = NEAR FACE  
FF = FAR FACE  
EF = EACH FACE  
▲ = CUT TO FIT IN FIELD  
3" CLR. UNLESS OTHERWISE  
SPECIFIED ON THE PLANS.

**STEM REINFORCING DETAILS**

PROJECT NAME: SALISBURY - CORNWALL	PLOT DATE: 02-APR-2007
PROJECT NUMBER: BHO 1445 (27)	DRAWN BY: G. ROY
FILE NAME: 96j268\Structures\sj268srd.i	CHECKED BY: C. CARLSON
PROJECT MANAGER: R. WHITCOMB	SHEET 39 OF 60
DESIGNED BY: C. CARLSON	