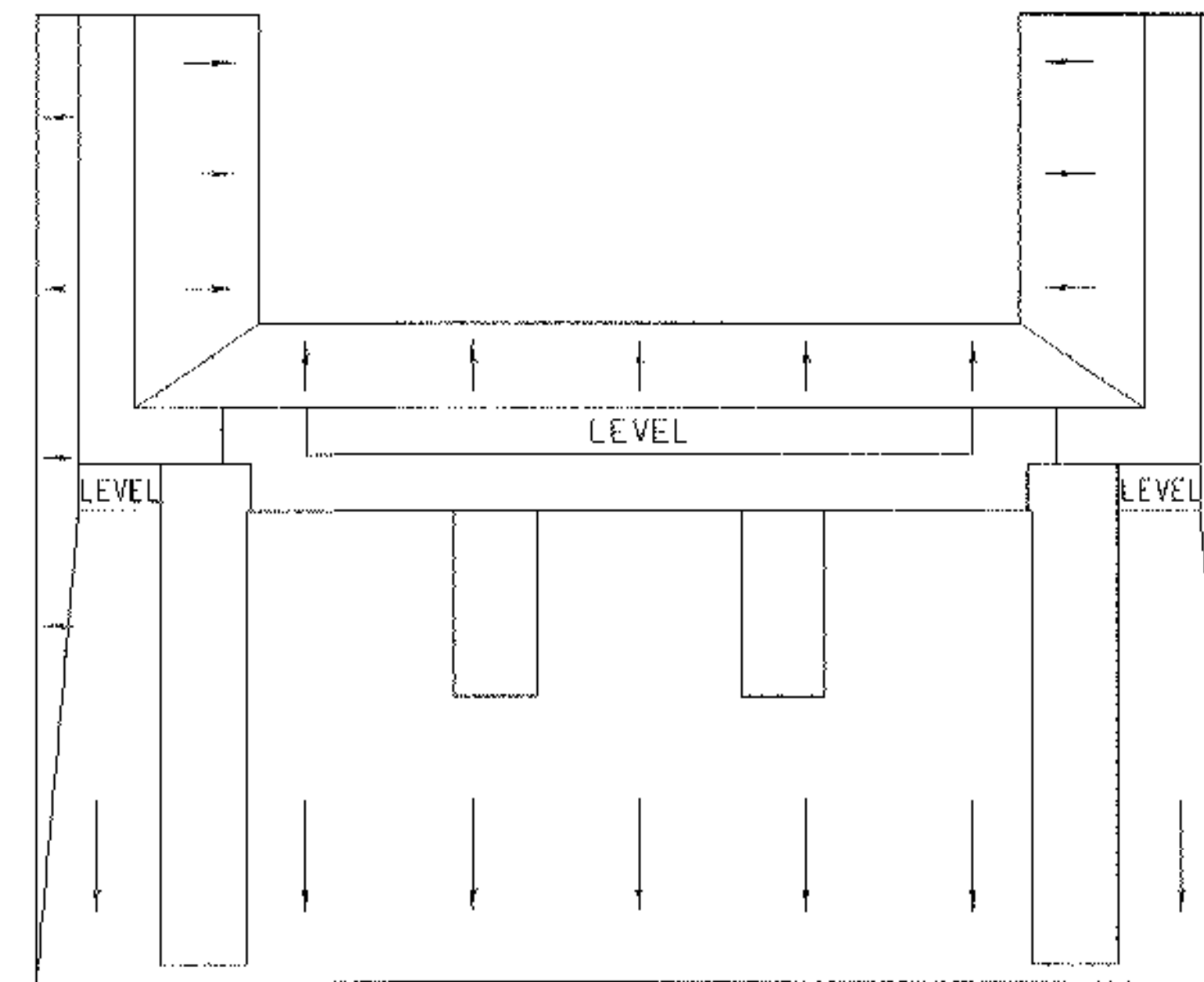
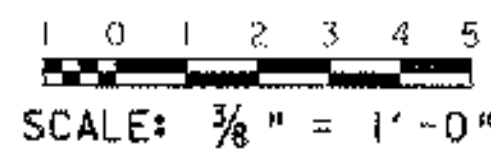
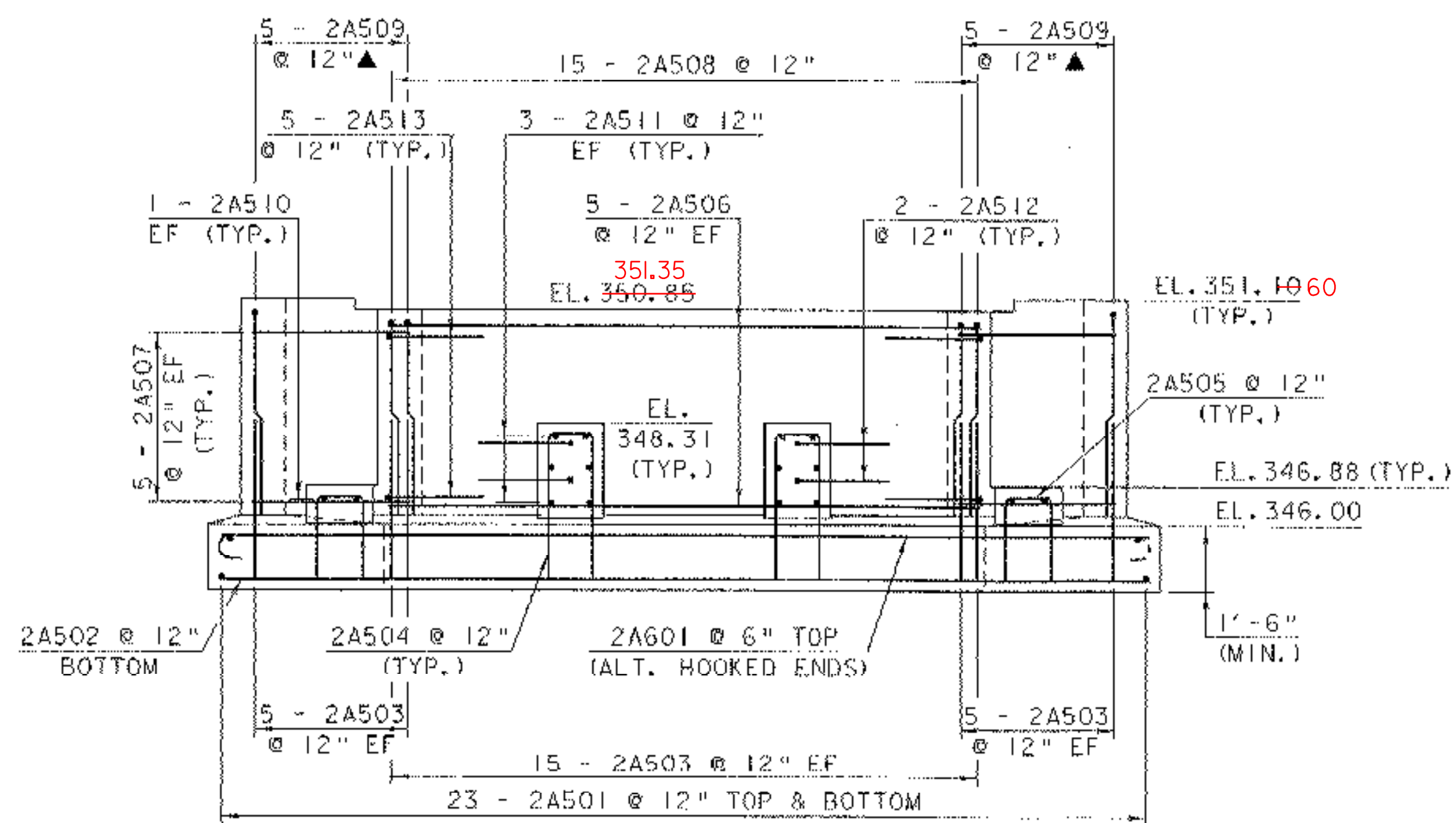
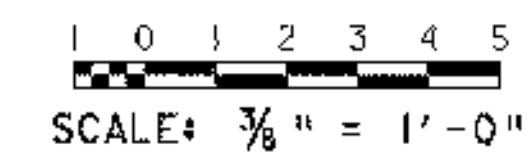


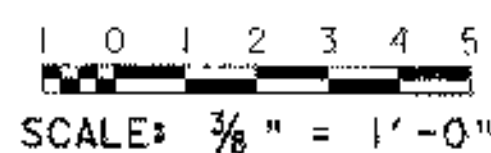
ABUTMENT NO. 2 PLAN



TYPICAL TOP OF ABUTMENT FOOTING SLOPE PLAN



ABUTMENT NO. 2 ELEVATION



**NOTE:**

- NF = NEAR FACE
- FF = FAR FACE
- EF = EACH FACE
- ▲ = CUT TO FIT IN FIELD
- 3" CLR. UNLESS OTHERWISE SPECIFIED ON THE PLANS.

**ABUTMENT NO. 2 DETAILS**

PROJECT NAME: SALISBURY - CORNWALL	PLOT DATE: 02-APR-2007
PROJECT NUMBER: BHO 1445 (27)	DRAWN BY: G. ROY
FILE NAME: 96J268\Structures\sj268ab2.1	CHECKED BY: C. CARLSON
PROJECT MANAGER: R. WHITCOMB	SHEET 37 OF 60
DESIGNED BY: C. CARLSON	