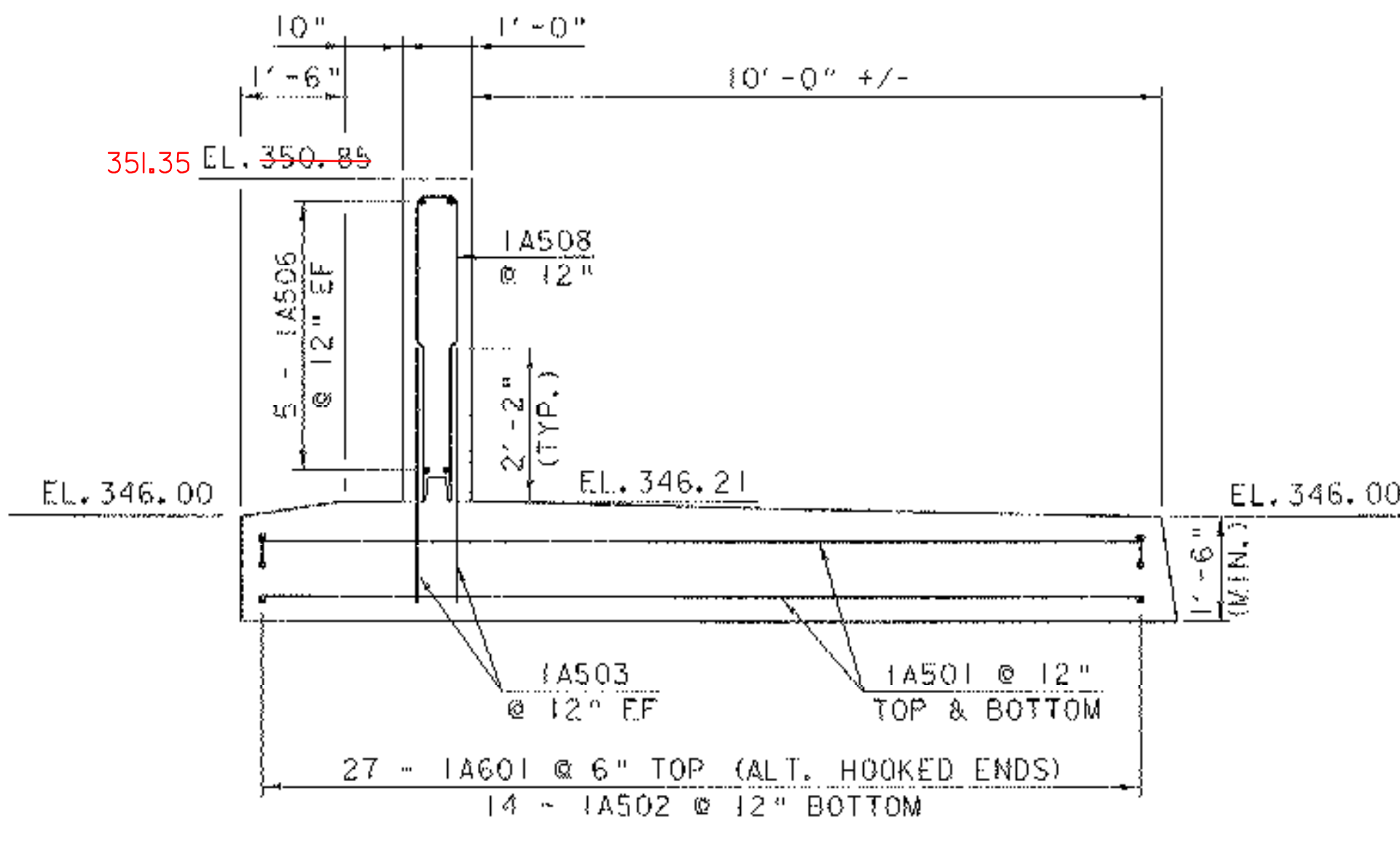


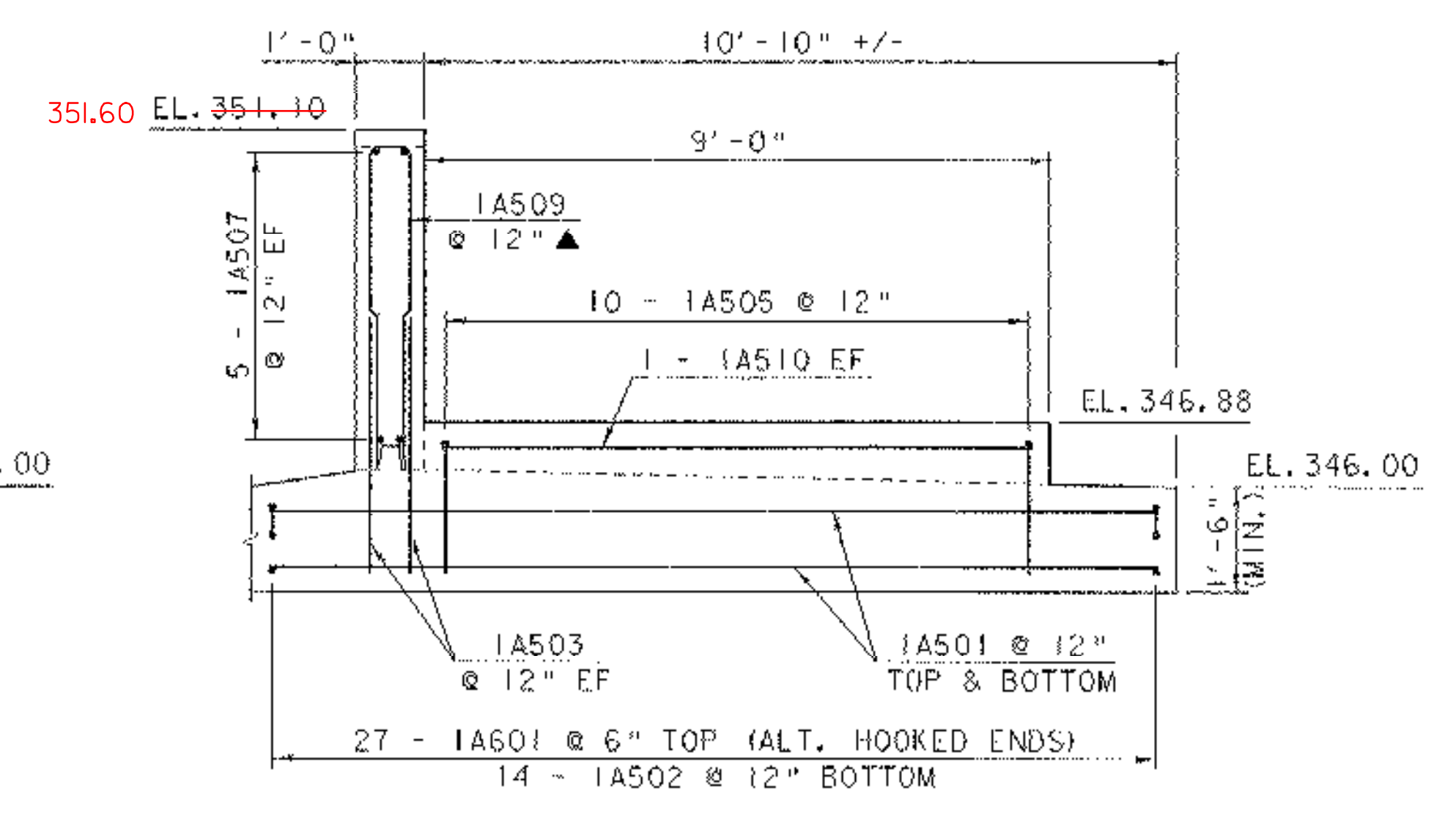
ABUTMENT NO. 1 PLAN

1 0 1 2 3 4 5
SCALE: 3/8" = 1'-0"



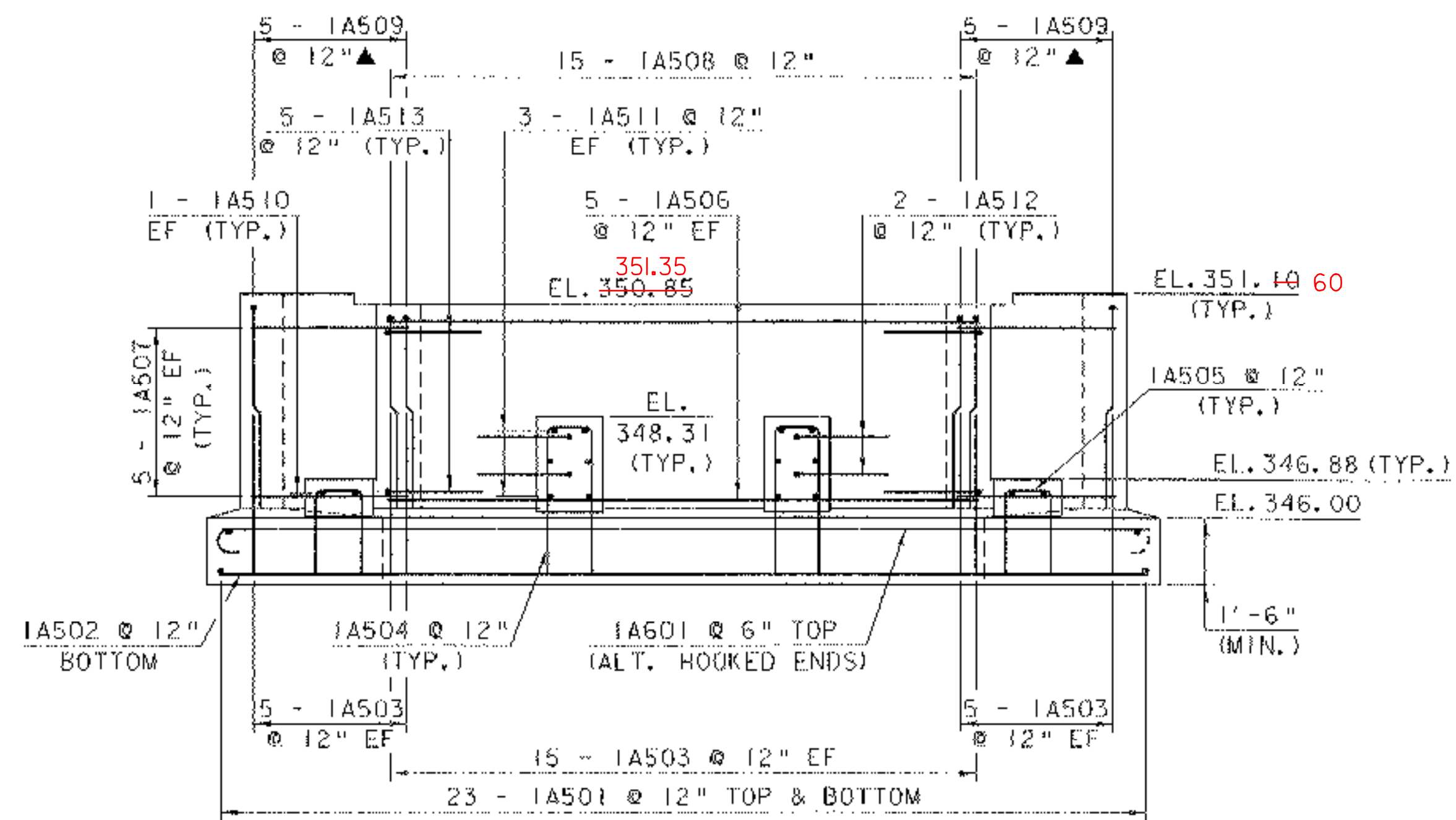
SECTION A-A

1 0 1 2 3 4
SCALE: 1/2" = 1'-0"
(ABUTMENT NO. 2 SIMILAR)



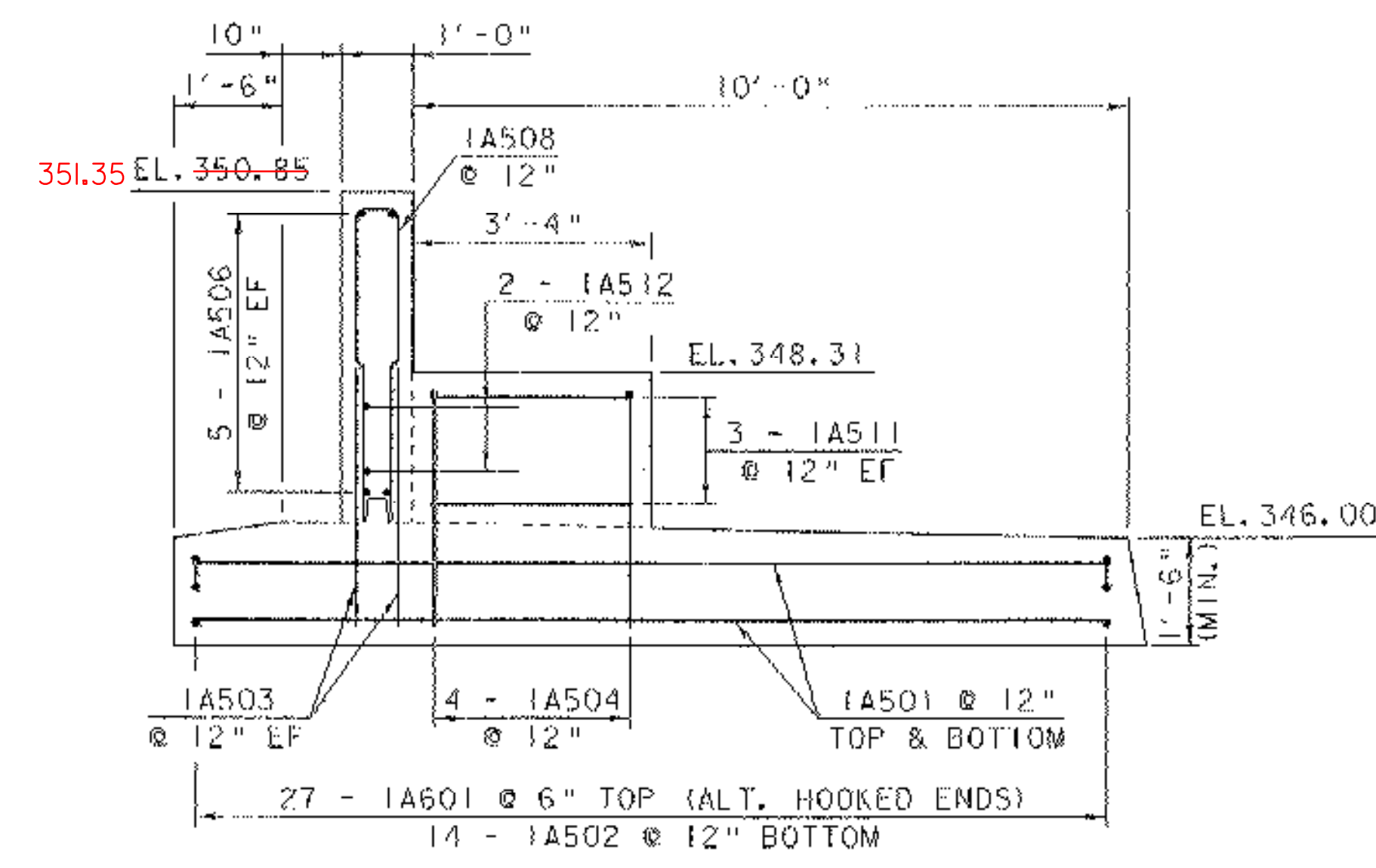
SECTION C-C

1 0 1 2 3 4
SCALE: 1/2" = 1'-0"
(ABUTMENT NO. 2 SIMILAR)



ABUTMENT NO. 1 ELEVATION

1 0 1 2 3 4 5
SCALE: 3/8" = 1'-0"



SECTION B-B

1 0 1 2 3 4
SCALE: 1/2" = 1'-0"
(ABUTMENT NO. 2 SIMILAR)

NOTE:
NF = NEAR FACE
FF = FAR FACE
EF = EACH FACE
▲ = CUT TO FIT IN FIELD
3" CLR. UNLESS OTHERWISE SPECIFIED ON THE PLANS.

ABUTMENT NO. 1 DETAILS

PROJECT NAME:	SALISBURY - CORNWALL	PLOT DATE:	02-APR-2007
PROJECT NUMBER:	BHO 1445 (27)	DRAWN BY:	G. ROY
FILE NAME:	96J268\Structures\J268tbl1	CHECKED BY:	C. CARLSON
PROJECT MANAGER:	R. WHITCOMB	SHEET	36 OF 60
DESIGNED BY:	C. CARLSON		