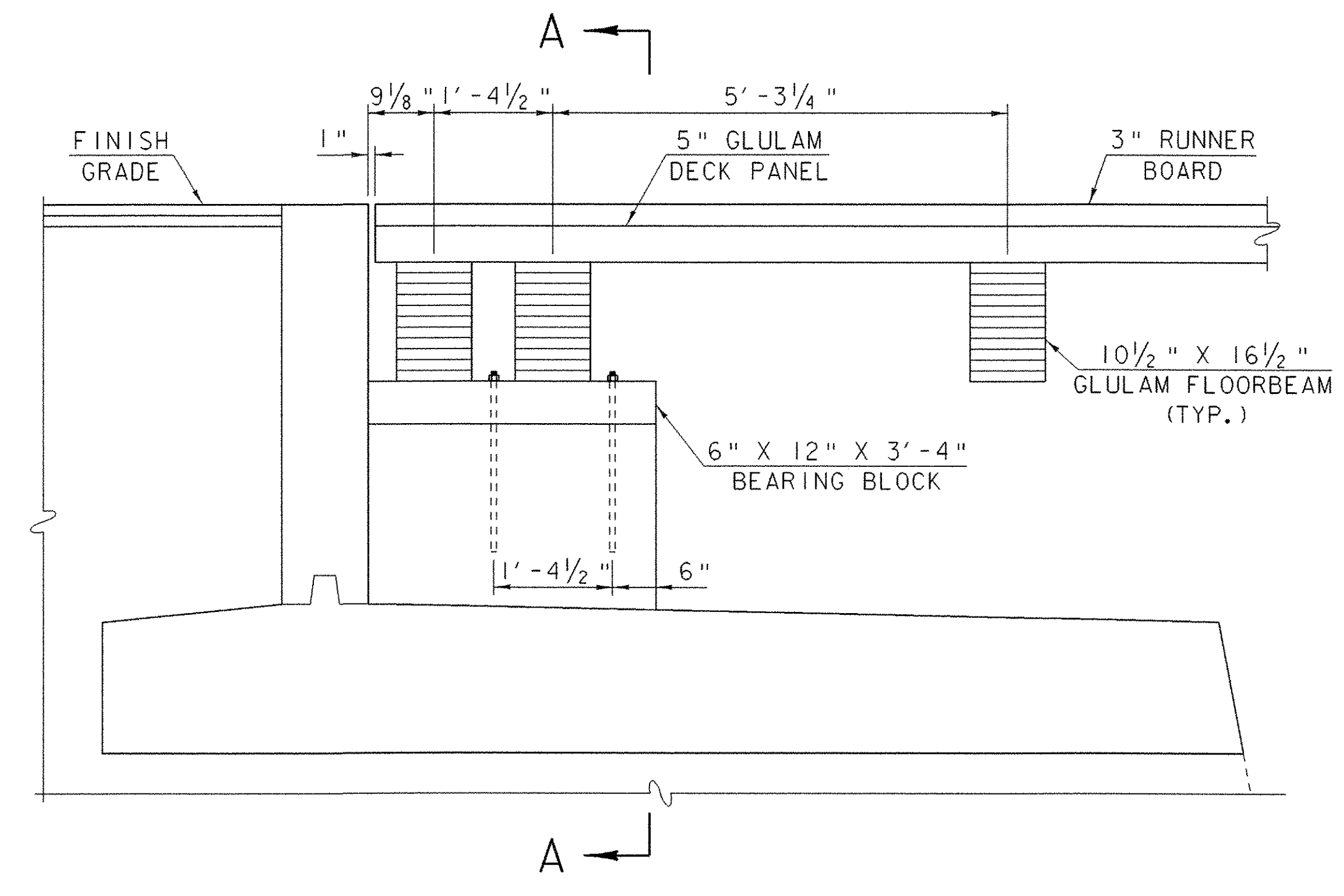
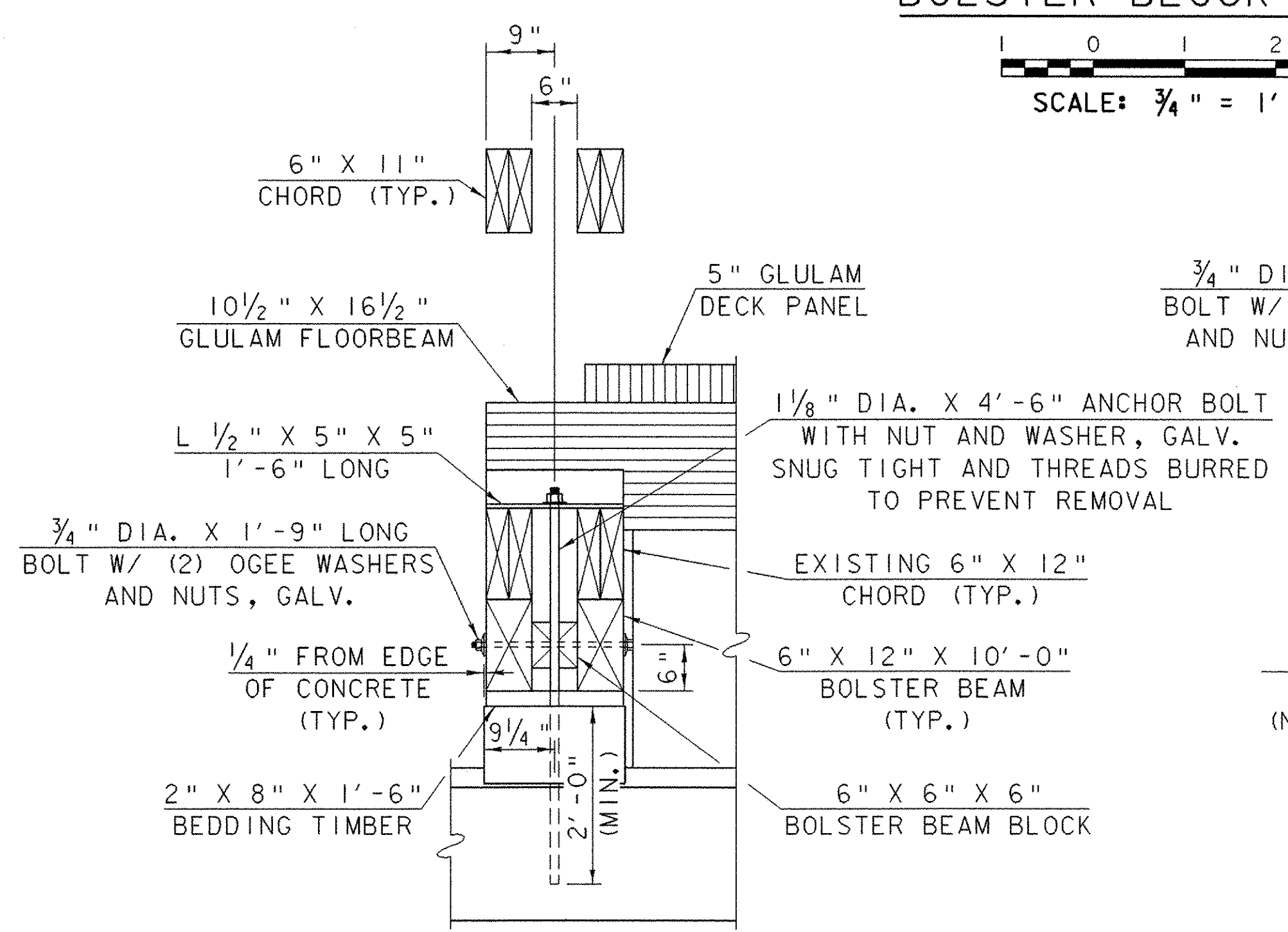


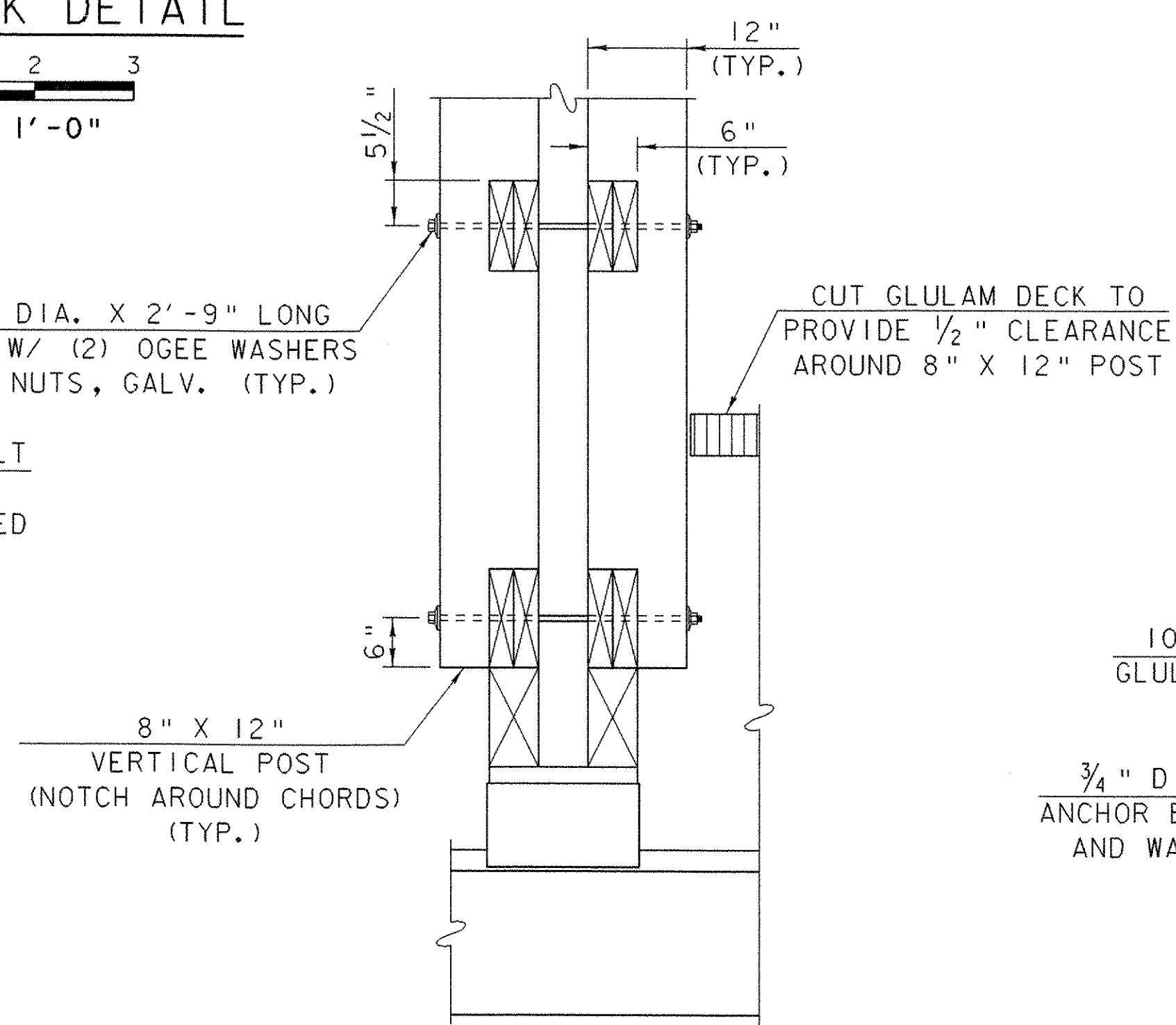
**BOLSTER BLOCK DETAIL**  
SCALE: 3/4" = 1'-0"



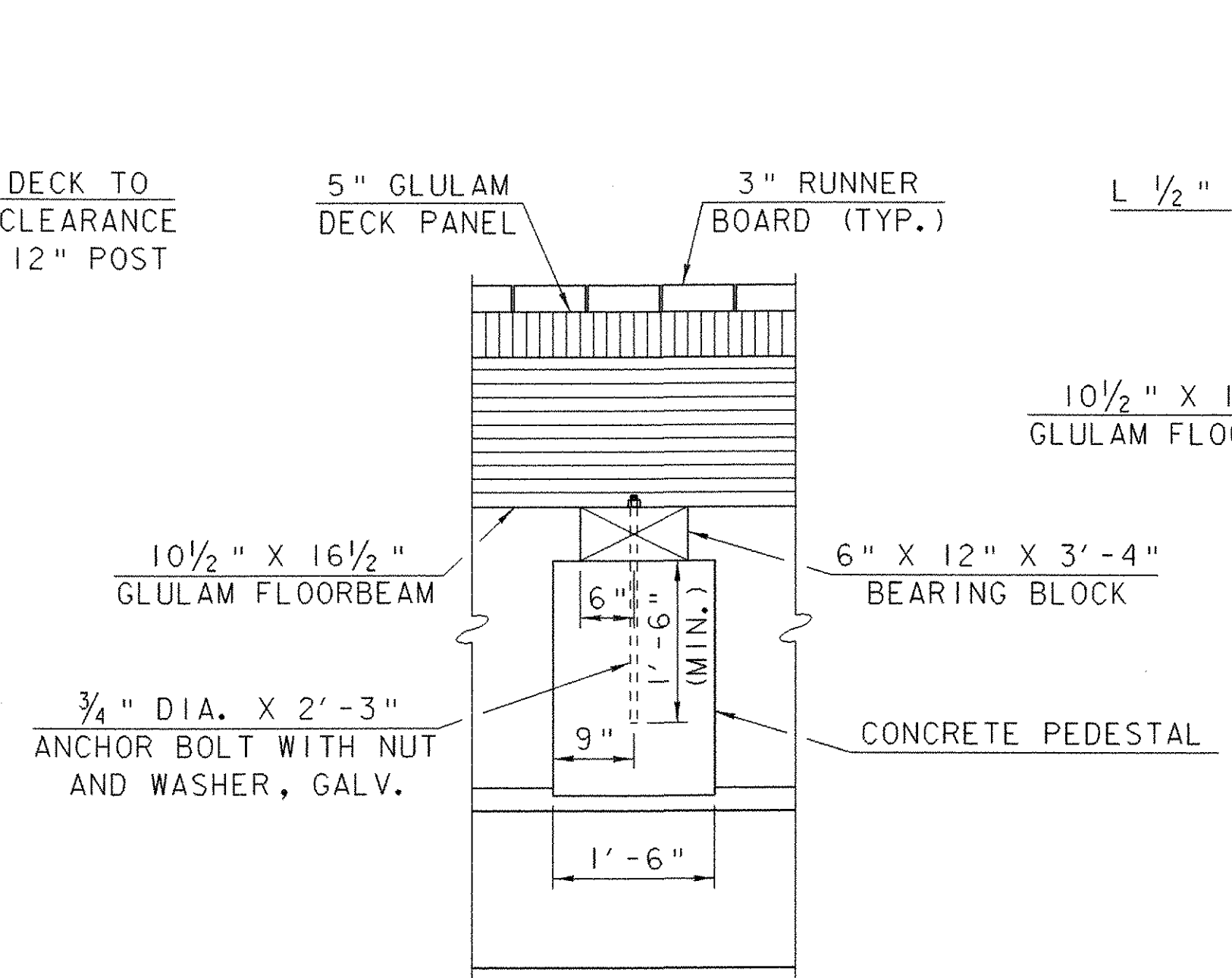
**BEARING BLOCK DETAIL**  
SCALE: 3/4" = 1'-0"



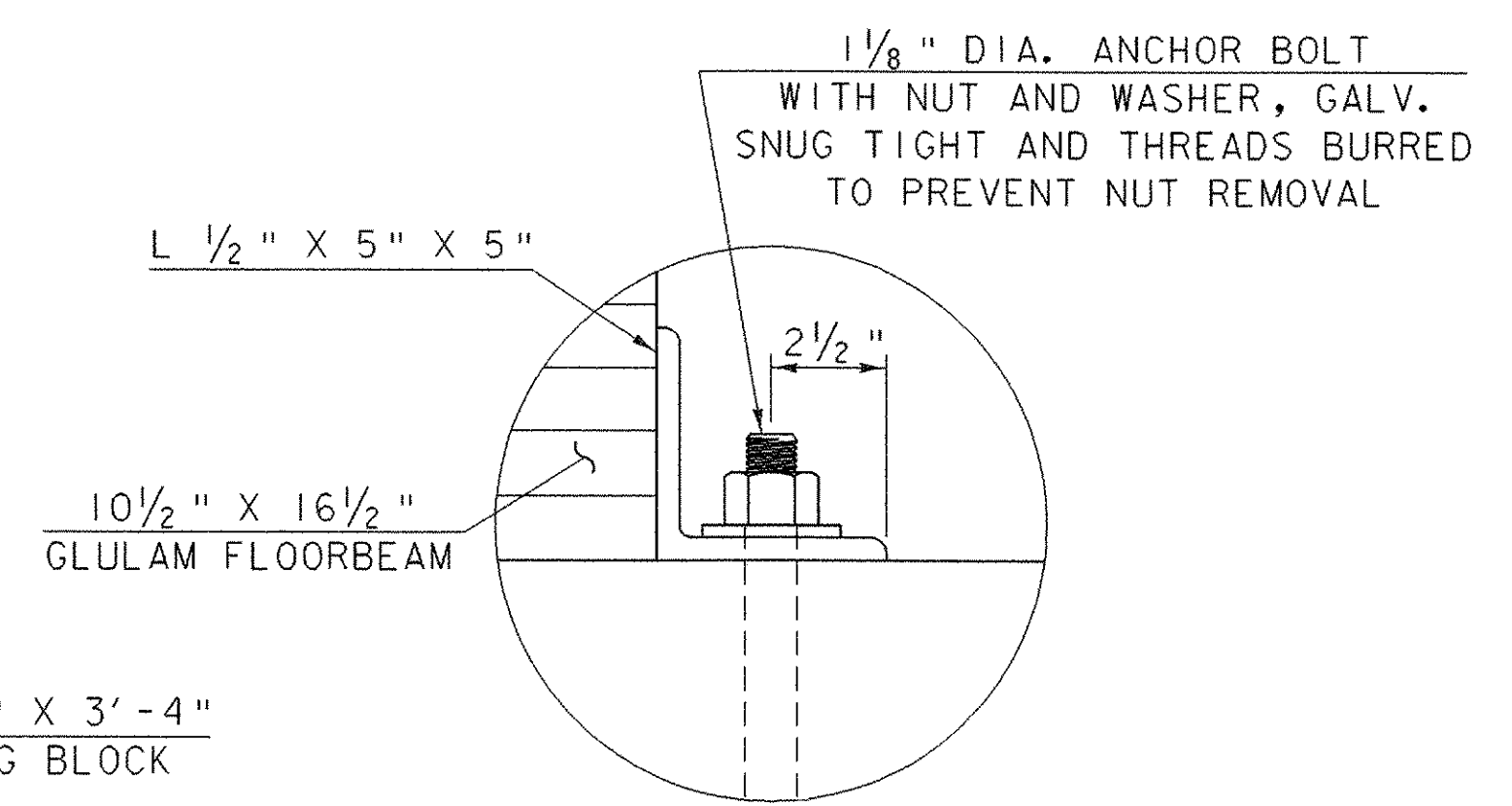
**SECTION B-B**  
SCALE: 3/4" = 1'-0"



**SECTION C-C**  
SCALE: 3/4" = 1'-0"



**SECTION A-A**  
SCALE: 3/4" = 1'-0"



**DETAIL "A"**  
SCALE: 3" = 1'-0"

**BEARING DETAILS**

PROJECT NAME:	SALISBURY - CORNWALL	FILE NAME:	96j268\structures\sj268brg.i	PLOT DATE:	02-APR-2007
PROJECT NUMBER:	BHO 1445 (27)	PROJECT MANAGER:	R. WHITCOMB	DRAWN BY:	G. ROY
		DESIGNED BY:	C. CARLSON	CHECKED BY:	C. CARLSON
					SHEET 34 OF 60