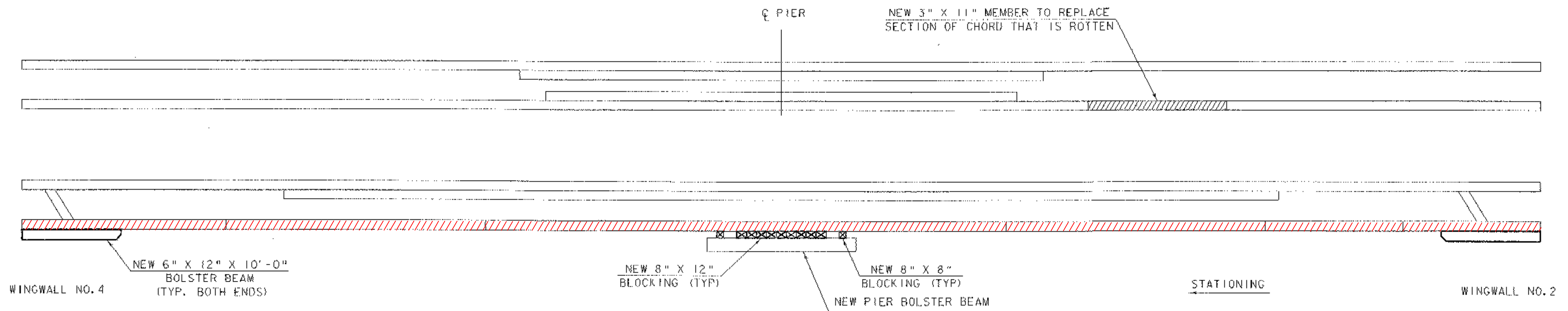
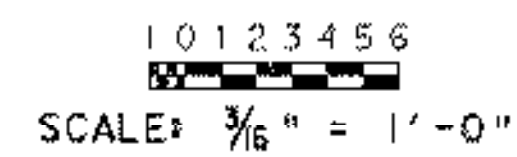


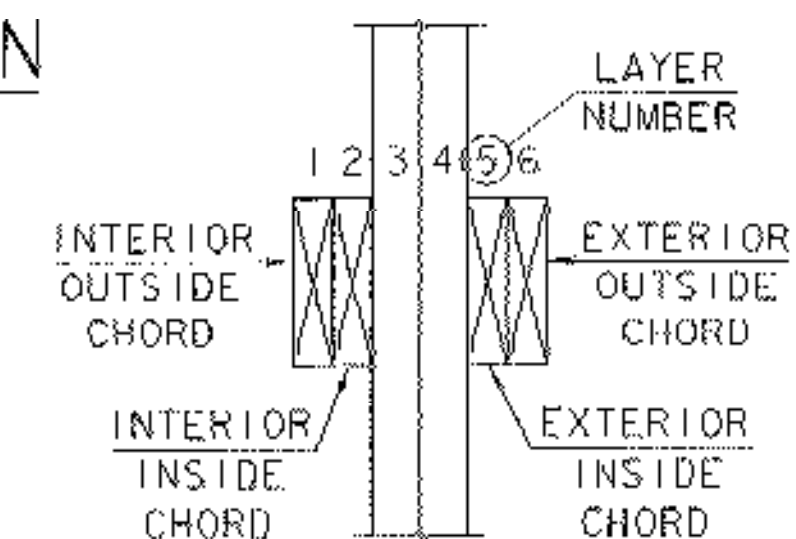
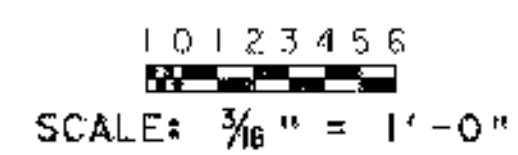
DOWNSTREAM (LEFT) TRUSS ELEVATION

(VIEWED FROM INSIDE)



UPSTREAM (RIGHT) TRUSS ELEVATION

(VIEWED FROM INSIDE)



TRUSS LAYER LEGEND

TRUSS REPAIR - LAYER 5

PROJECT NAME: SALISBURY - CORNWALL	PLOT DATE: 02-APR-2007
PROJECT NUMBER: BHO 1445 (27)	DRAWN BY: G. ROY
FILE NAME: 96J268\Structures\6J268+15.J	CHECKED BY: C. CARLSON
PROJECT MANAGER: R. R. WHITCOMB	SHEET: 32 OF 60
DESIGNED BY: C. CARLSON	