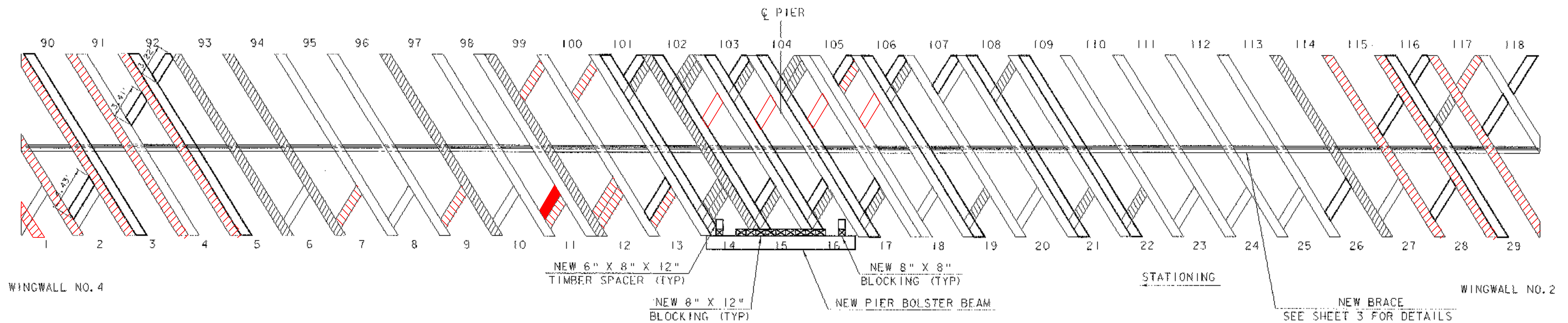


**DOWNSTREAM (LEFT) TRUSS ELEVATION**

(VIEWED FROM INSIDE)




1 0 1 2 3 4 5 6  
 SCALE: 3/16" = 1'-0"

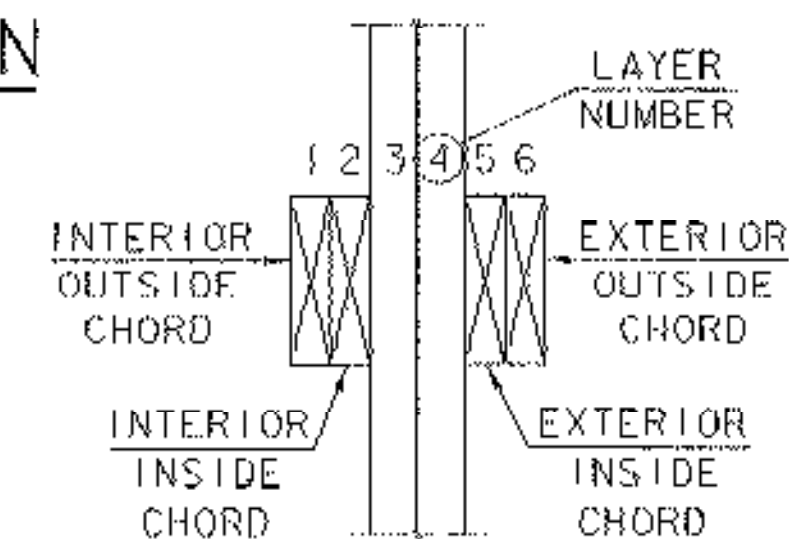


**UPSTREAM (RIGHT) TRUSS ELEVATION**

(VIEWED FROM INSIDE)

1 0 1 2 3 4 5 6  
 SCALE: 3/16" = 1'-0"

- LEGEND**
-  ADD SISTER MEMBER (NEW 3 X 11 LATTICE)
  -  REPLACE MEMBER (NEW 3 X 11 LATTICE)
  -  MEMBER NUMBERS WERE USED FOR ANALYSIS AND ARE SHOWN FOR IDENTIFICATION PURPOSES



**TRUSS LAYER LEGEND**

**TRUSS REPAIR - LAYER 4**

PROJECT NAME:	SALISBURY - CORNWALL	FILE NAME:	96\268\Structures\268\4.1	PLOT DATE:	02-APR-2007
PROJECT NUMBER:	BHO 1445 (27)	PROJECT MANAGER:	R. R. WHITCOMB	DRAWN BY:	G. ROY
		DESIGNED BY:	C. CARLSON	CHECKED BY:	C. CARLSON
					SHEET 31 OF 60