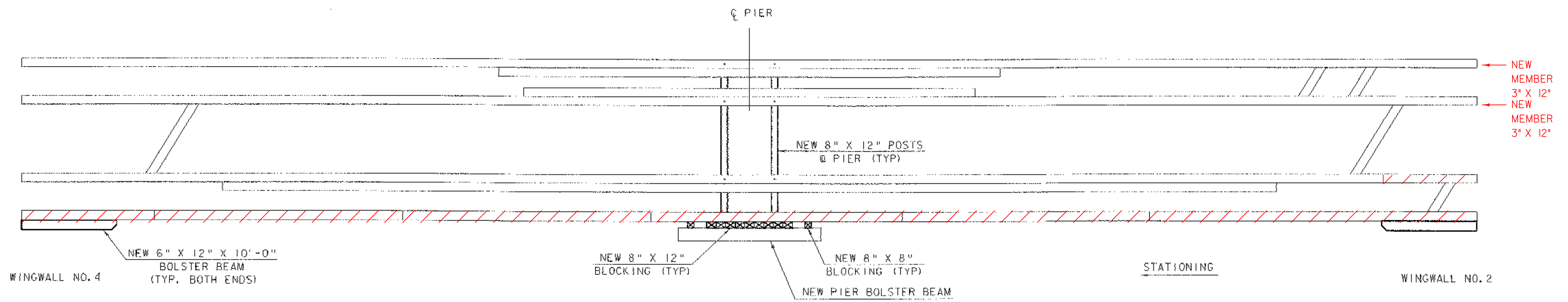


**DOWNSTREAM (LEFT) TRUSS ELEVATION**

(VIEWED FROM INSIDE)

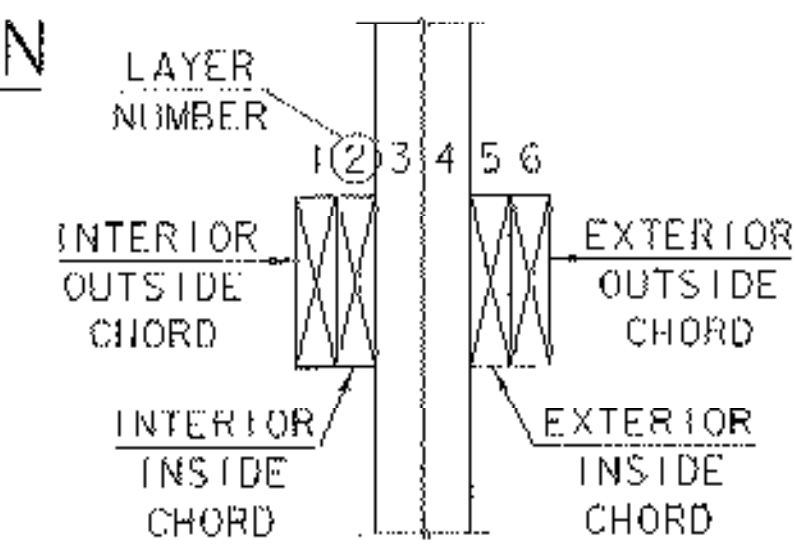
1 0 1 2 3 4 5 6  
 SCALE: 3/16" = 1'-0"



**UPSTREAM (RIGHT) TRUSS ELEVATION**

(VIEWED FROM INSIDE)

1 0 1 2 3 4 5 6  
 SCALE: 3/16" = 1'-0"



**TRUSS LAYER LEGEND**

**TRUSS REPAIR - LAYER 2**

PROJECT NAME:	SALISBURY - CORNWALL	FILE NAME:	961268\Structures\sj268t12.j	PLOT DATE:	02-APR-2007
PROJECT NUMBER:	BHO 1445 (27)	PROJECT MANAGER:	R. R. WHITCOMB	DRAWN BY:	G. ROY
		DESIGNED BY:	C. CARLSON	CHECKED BY:	C. CARLSON
				SHEET	29 OF 60