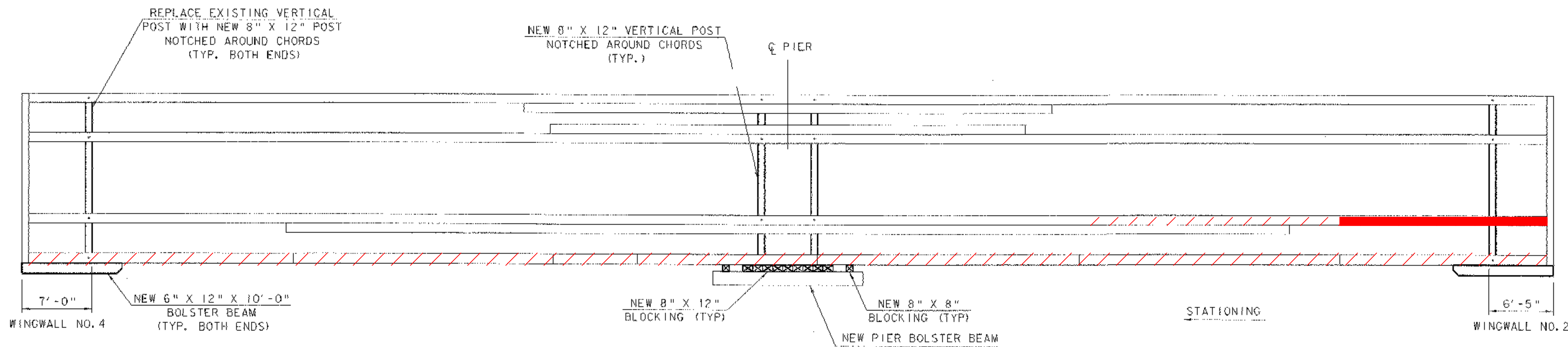


**DOWNSTREAM (LEFT) TRUSS ELEVATION**

(VIEWED FROM INSIDE)

1 0 1 2 3 4 5 6

SCALE: 3/16" = 1'-0"

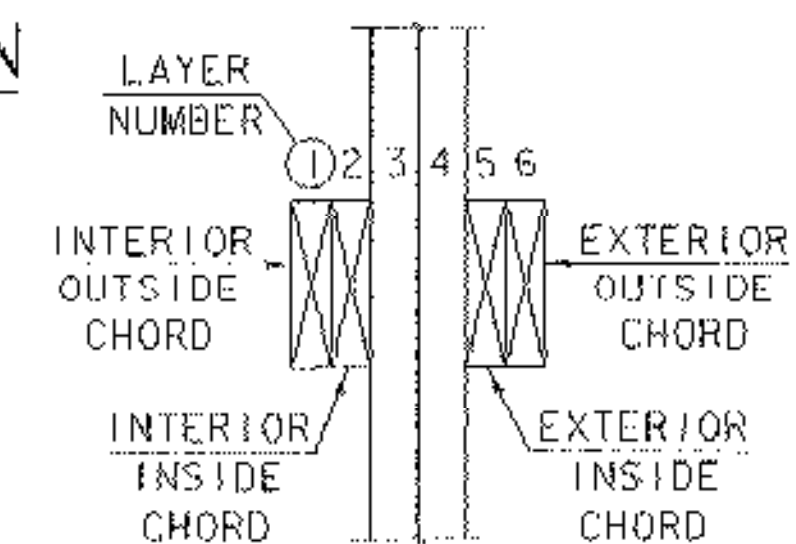


**UPSTREAM (RIGHT) TRUSS ELEVATION**

(VIEWED FROM INSIDE)

1 0 1 2 3 4 5 6

SCALE: 3/16" = 1'-0"



**TRUSS LAYER LEGEND**

**TRUSS REPAIR - LAYER 1**

PROJECT NAME: SALISBURY - CORNWALL  
 PROJECT NUMBER: BHO 1445 (27)

FILE NAME: 96J268\Structures\sj268fll1 PLOT DATE: 02-APR-2007  
 PROJECT MANAGER: R. R. WHITCOMB DRAWN BY: G. ROY  
 DESIGNED BY: C. CARLSON CHECKED BY: C. CARLSON  
 SHEET 28 OF 60