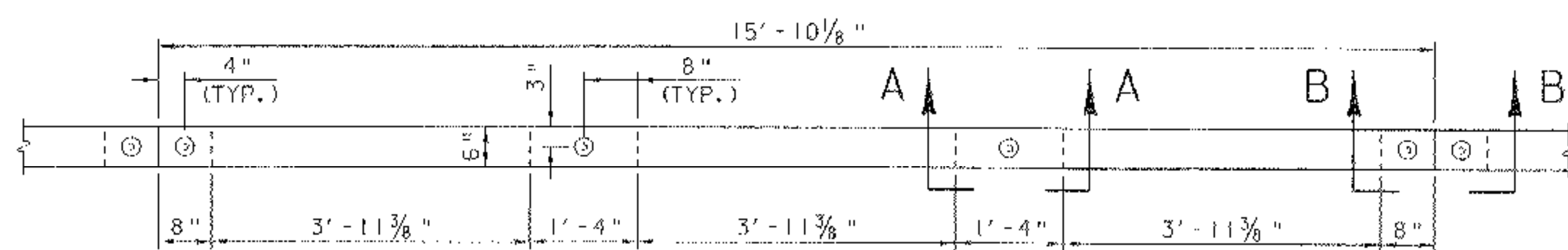


CURB AND RUNNER BOARD LAYOUT PLAN

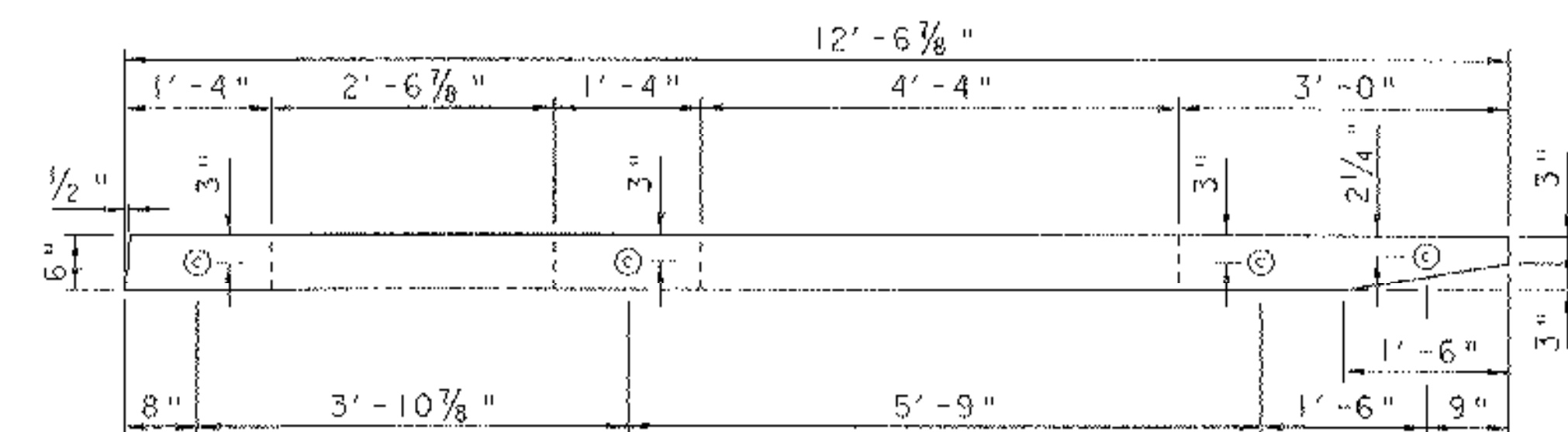
1 0 1 2 3 4 5 6
 SCALE: 3/16" = 1'-0"

14 - 3" X 8" PLANKING
 WITH 1/4" GAP BETWEEN
 PLANKS = 9'-7 1/4"



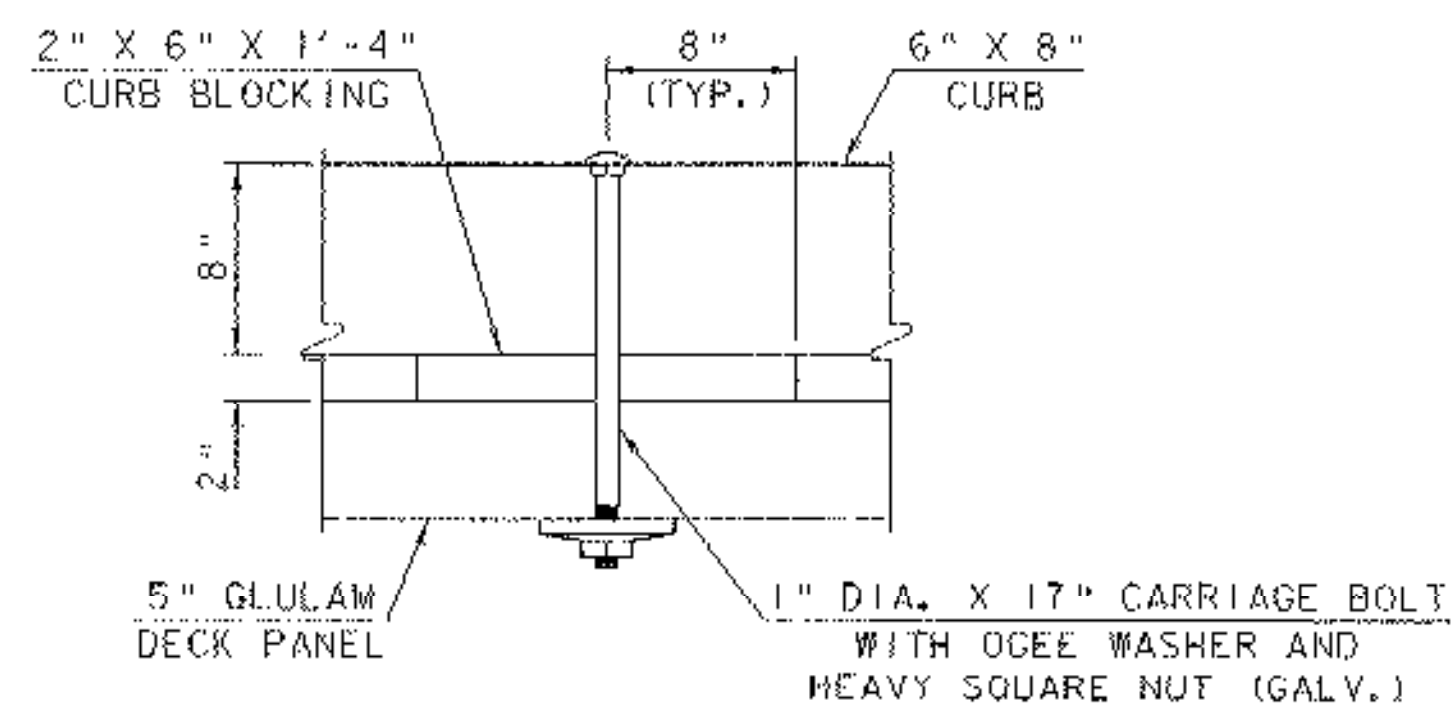
CURB SPLICE DETAIL

0 1 2 3
 SCALE: 3/4" = 1'-0"



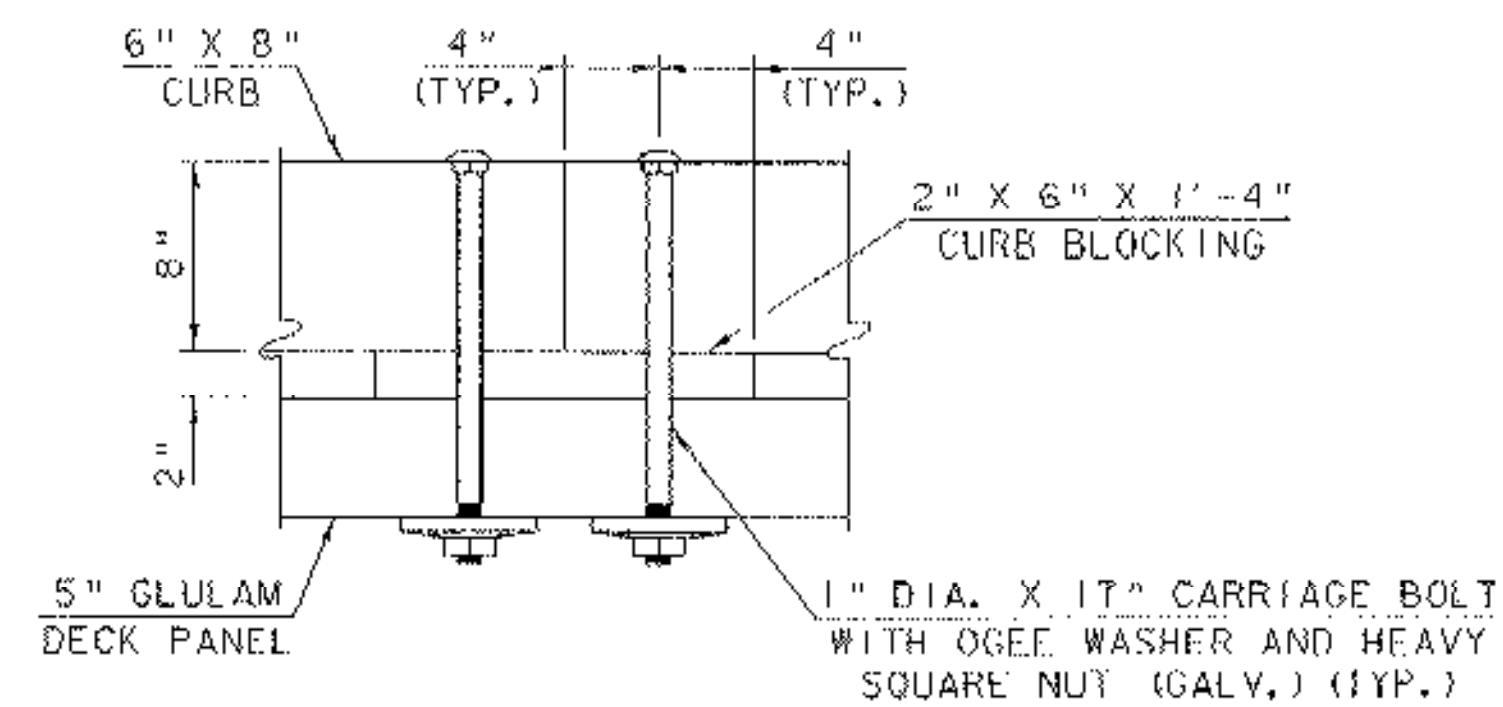
END CURB DETAIL

0 1 2 3
 SCALE: 3/4" = 1'-0"



SECTION A-A

0 1 2
 SCALE: 1 1/2" = 1'-0"



SECTION B-B

0 1 2
 SCALE: 1 1/2" = 1'-0"

CURB AND RUNNER BOARD LAYOUT

PROJECT NAME: SALISBURY - CORNWALL
 PROJECT NUMBER: BHO 1445 (27)

FILE NAME: 96J268\Structures\J268crb.l PLOT DATE: 02-APR-2007
 PROJECT MANAGER: R. R. WHITCOMB DRAWN BY: G. ROY
 DESIGNED BY: C. CARLSON CHECKED BY: C. CARLSON
 SHEET 25 OF 60