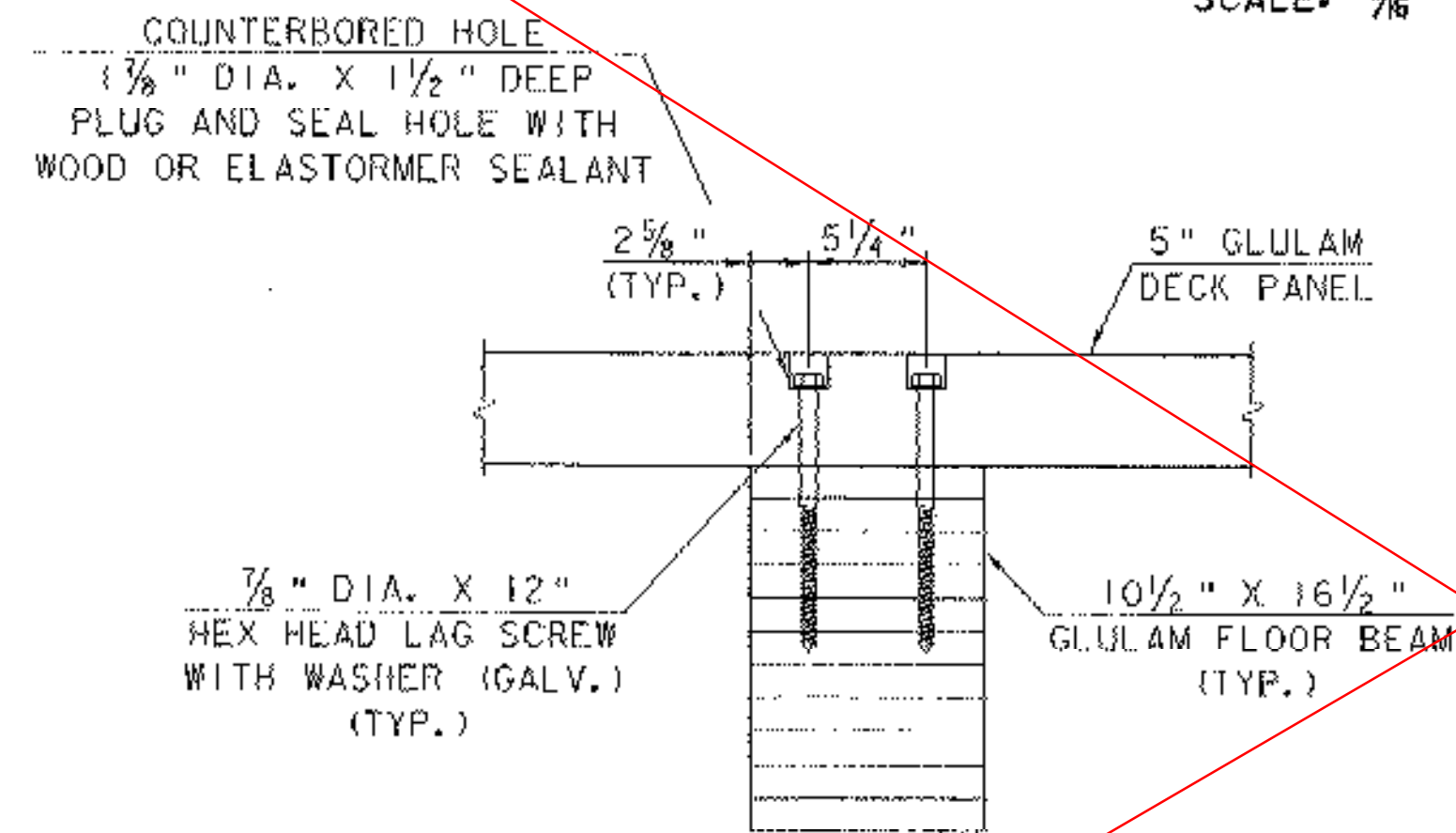


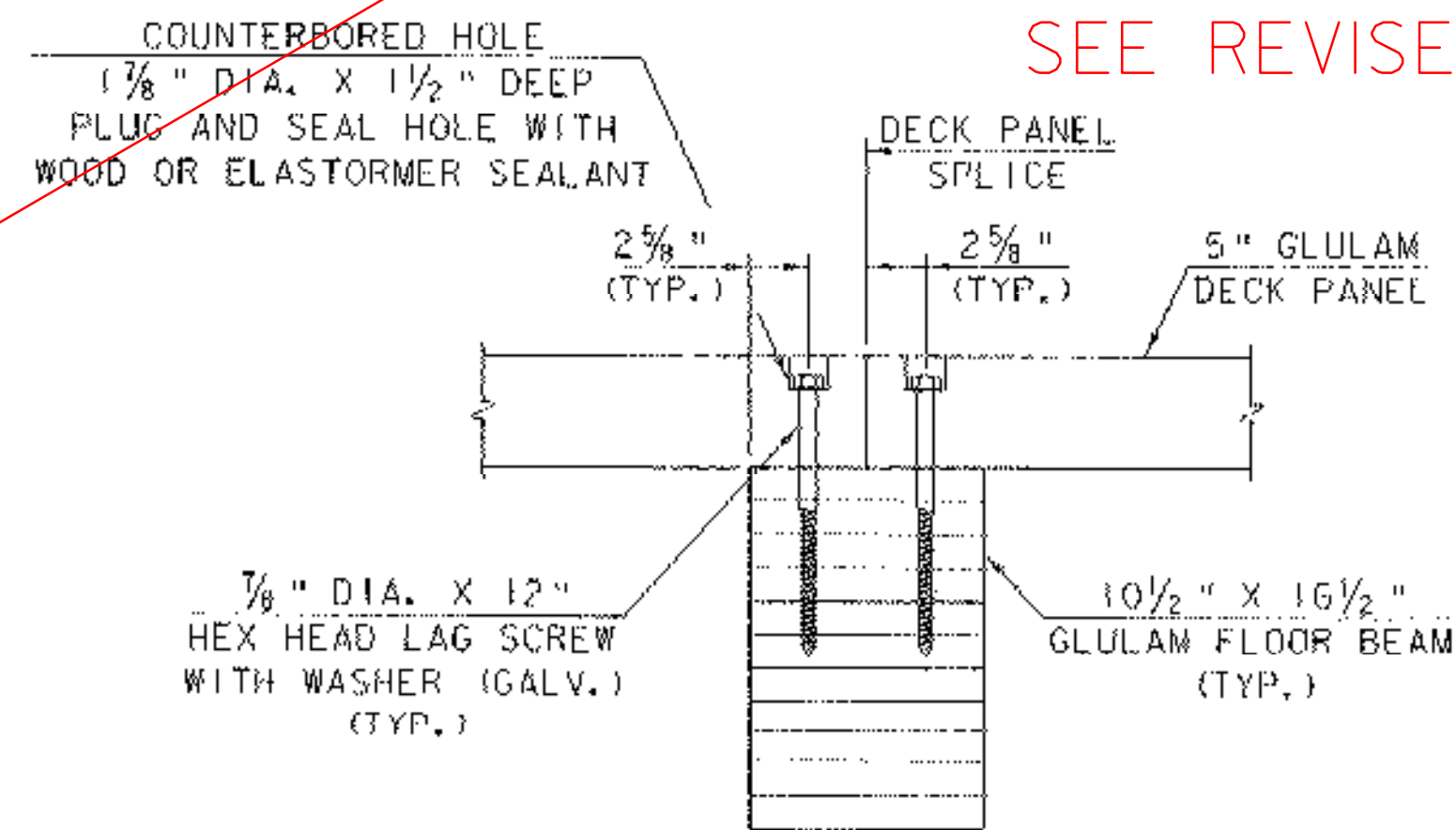
DECK FRAMING PLAN

1 0 1 2 3 4 5 6
SCALE: 3/16" = 1'-0"



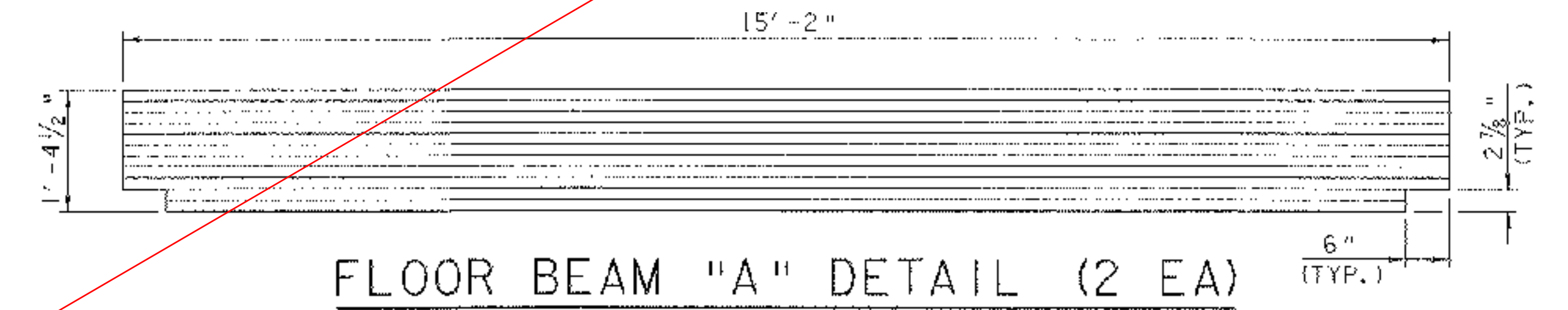
SECTION A-A

SCALE: 1 1/2" = 1'-0"

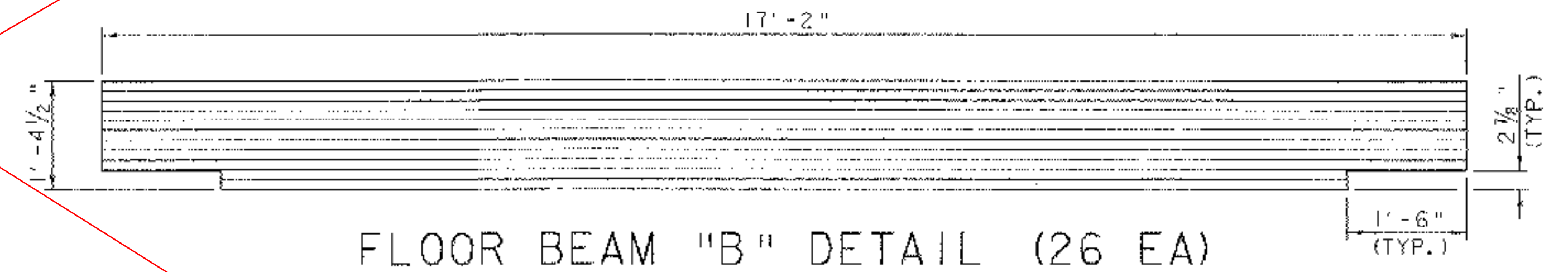


SECTION B-B

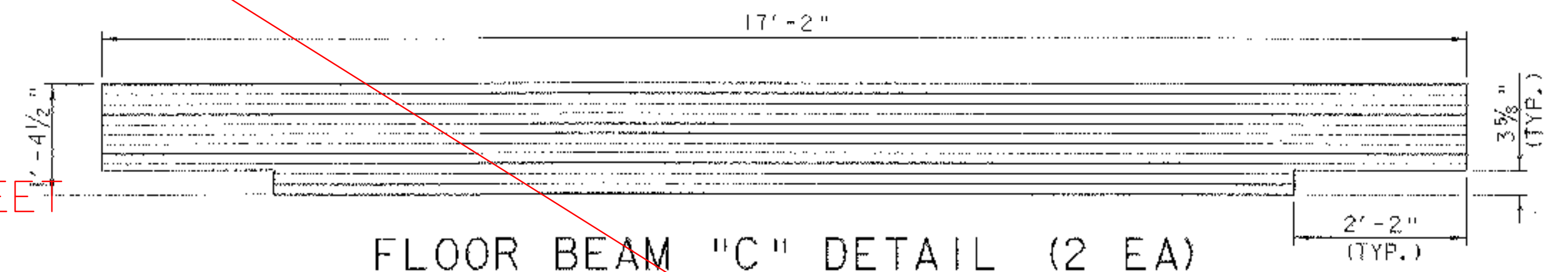
SCALE: 1 1/2" = 1'-0"



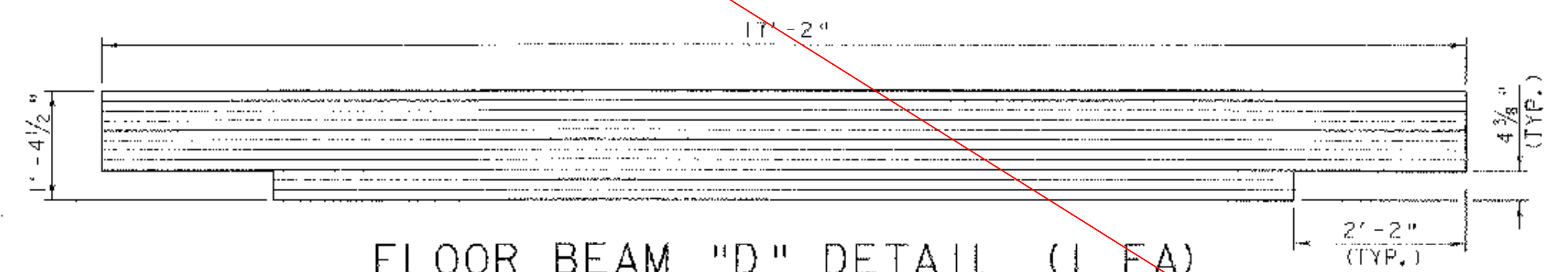
FLOOR BEAM "A" DETAIL (2 EA)



FLOOR BEAM "B" DETAIL (26 EA)



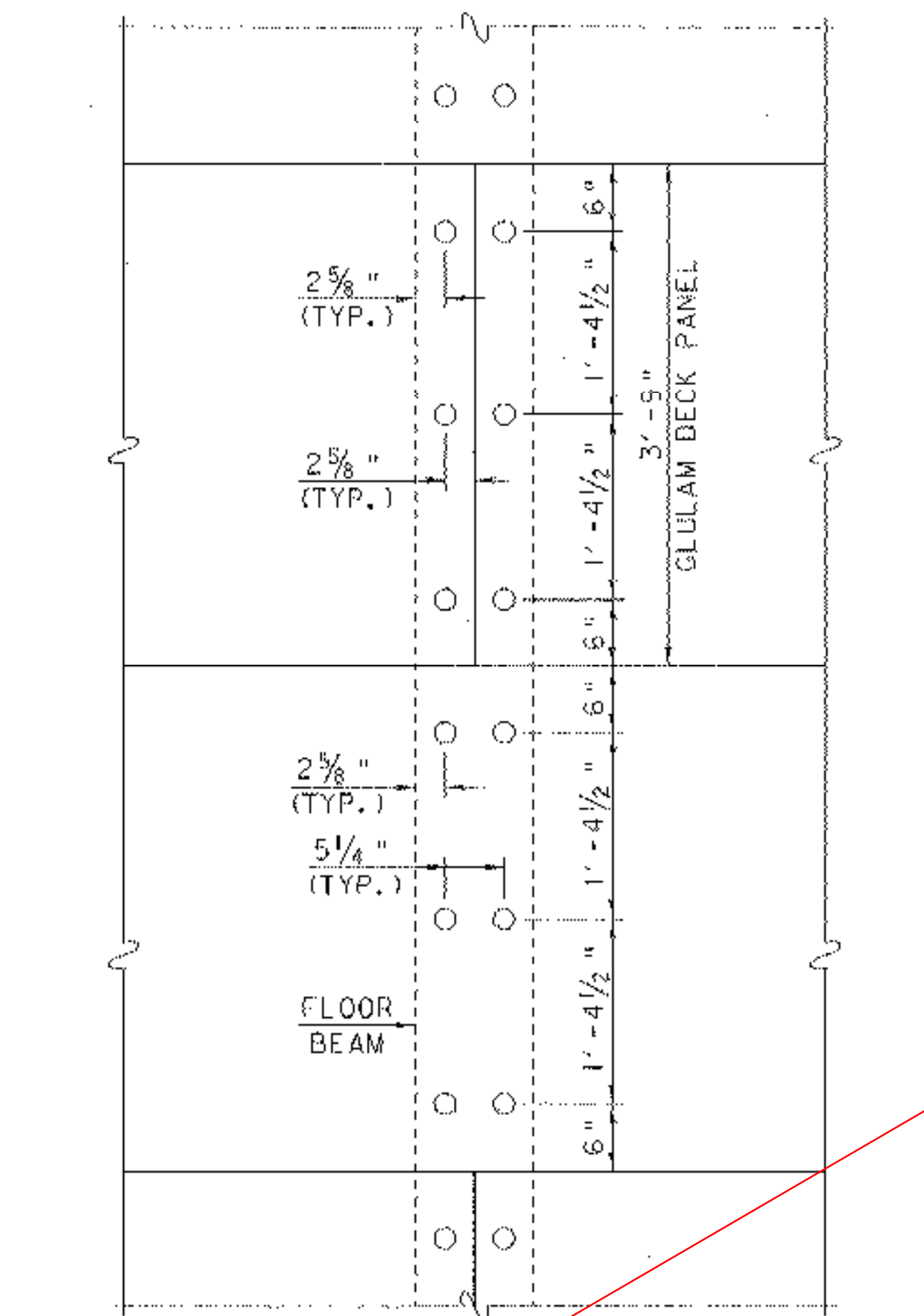
FLOOR BEAM "C" DETAIL (2 EA)



FLOOR BEAM "D" DETAIL (1 EA)

SCALE: 3/4" = 1'-0"

DECK FRAMING PLAN



DECK PANEL SPLICE DETAIL

SCALE: 1" = 1'-0"

SEE REVISED SHEET

PROJECT NAME:	SALISBURY - CORNWALL	FILE NAME:	96J268\Structures\sj268dfp.1	PLOT DATE:	02-APR-2007
PROJECT NUMBER:	BHO 1445 (27)	PROJECT MANAGER:	R. R. WHITCOMB	DRAWN BY:	G. ROY
		DESIGNED BY:	C. CARLSON	CHECKED BY:	C. CARLSON
				SHEET	24 OF 60