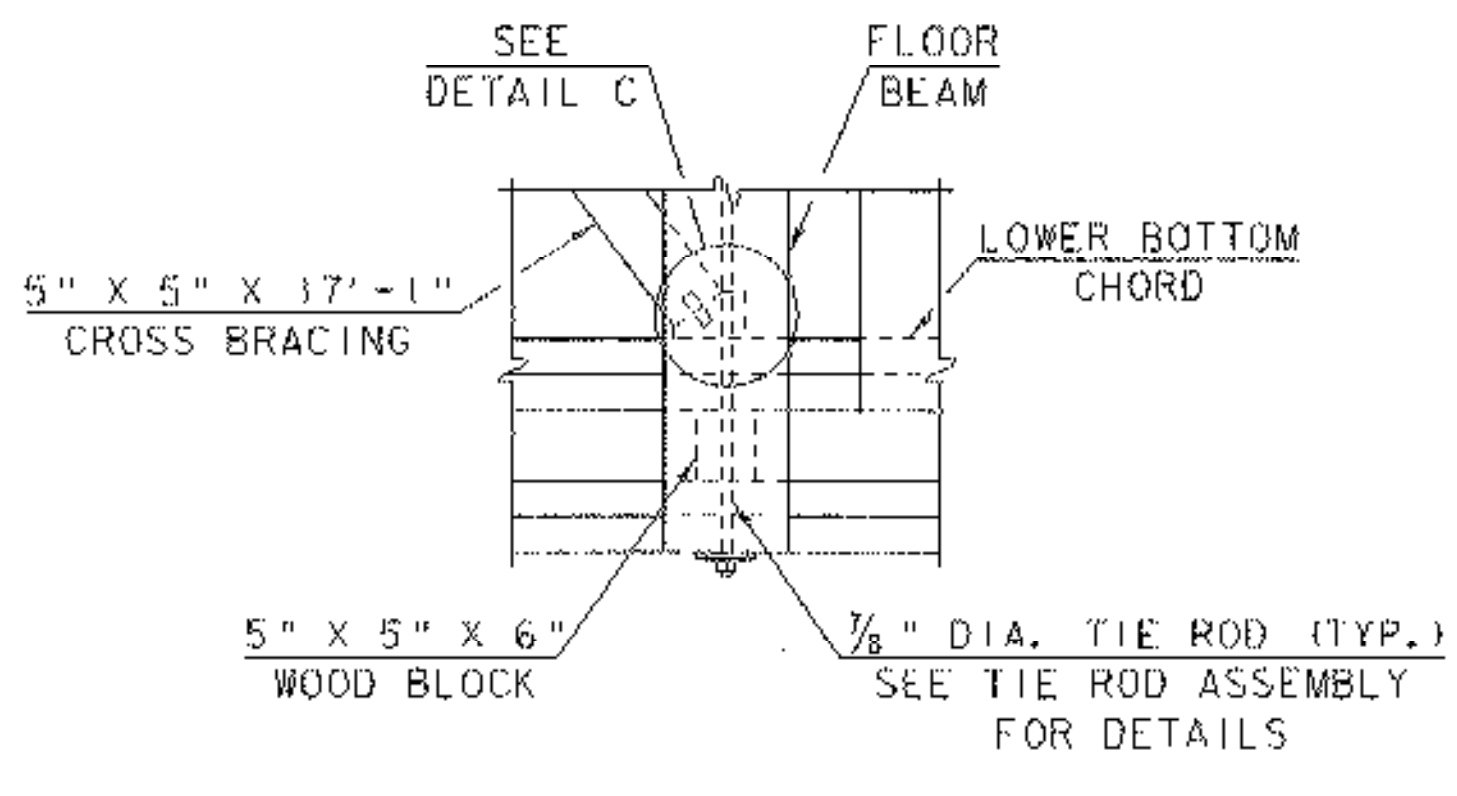
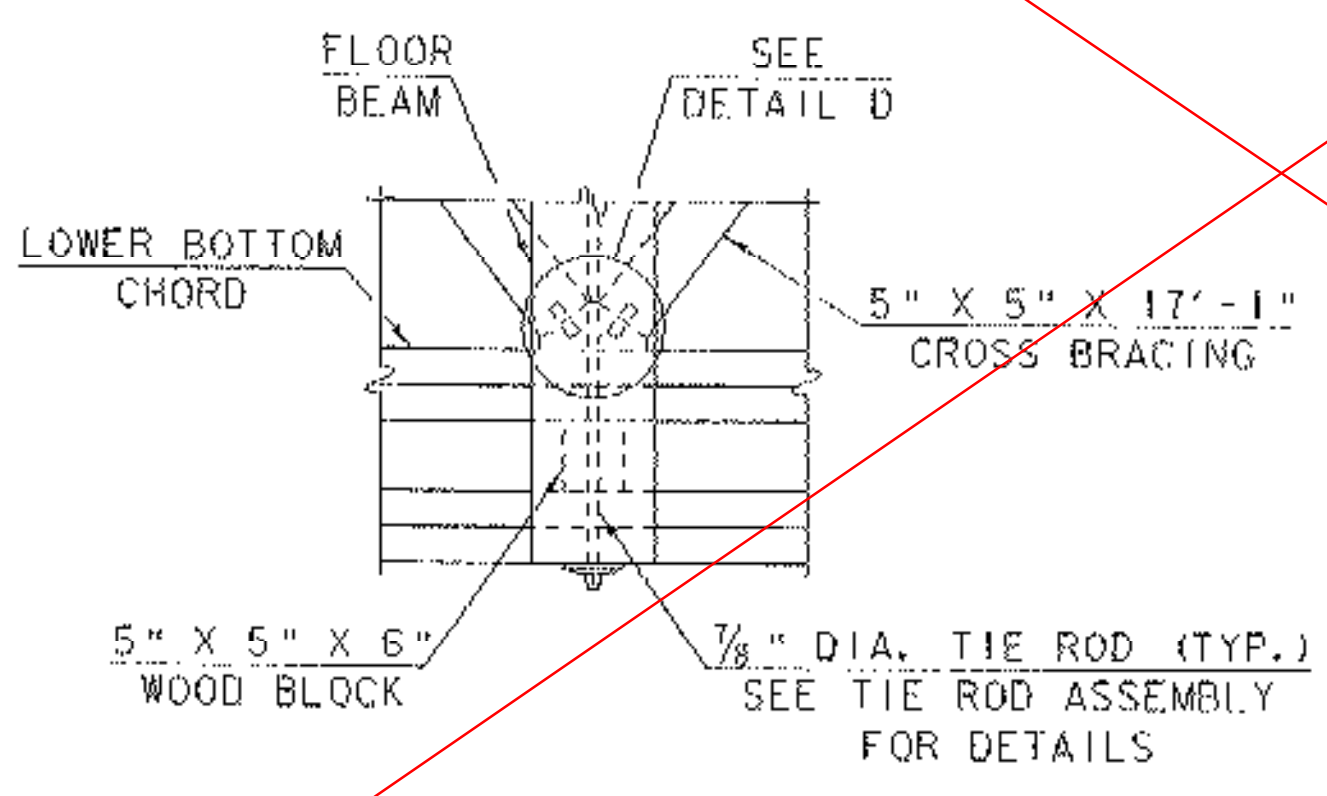


FLOOR FRAMING PLAN

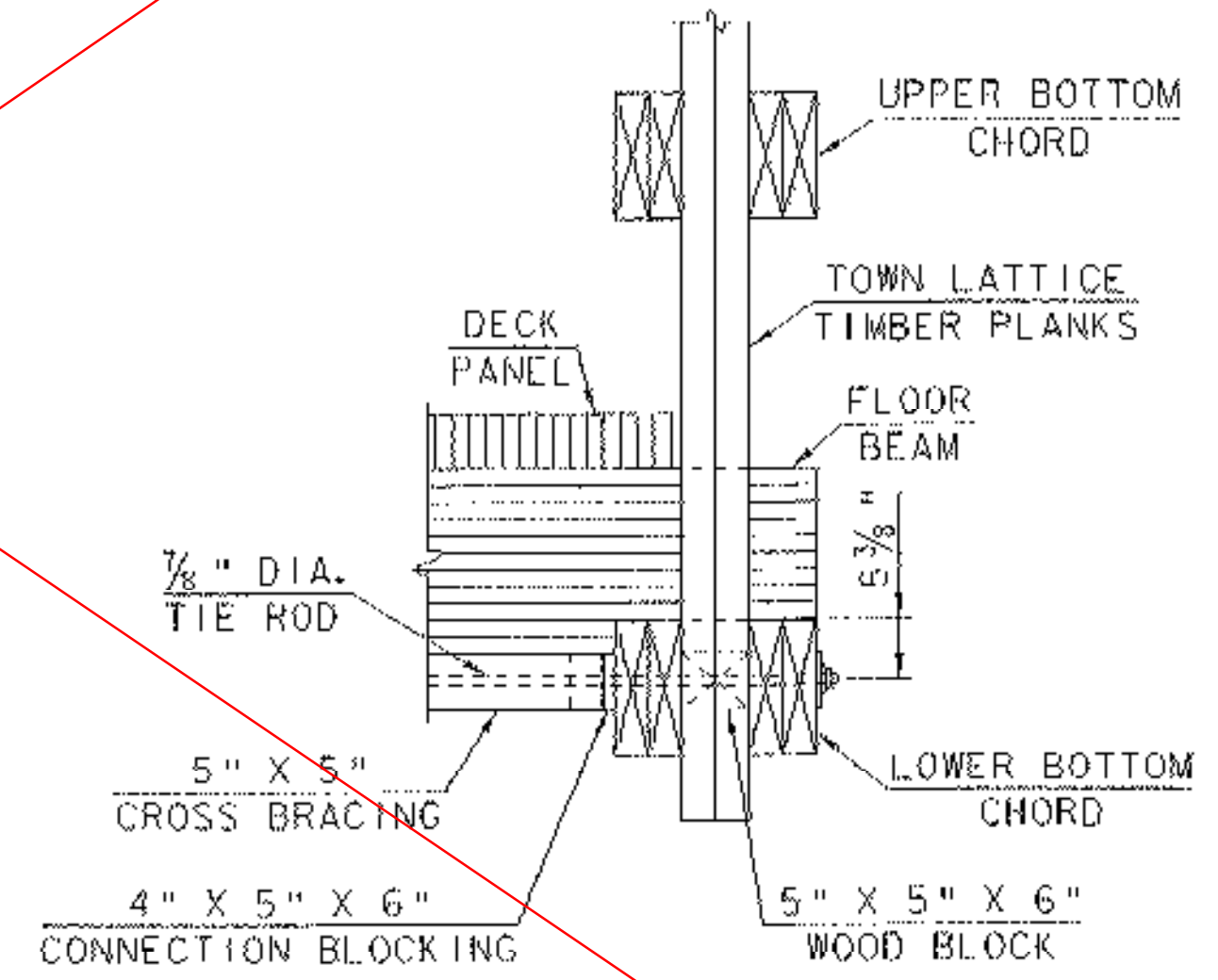
1 0 1 2 3 4 5 6
 SCALE: 3/16" = 1'-0"



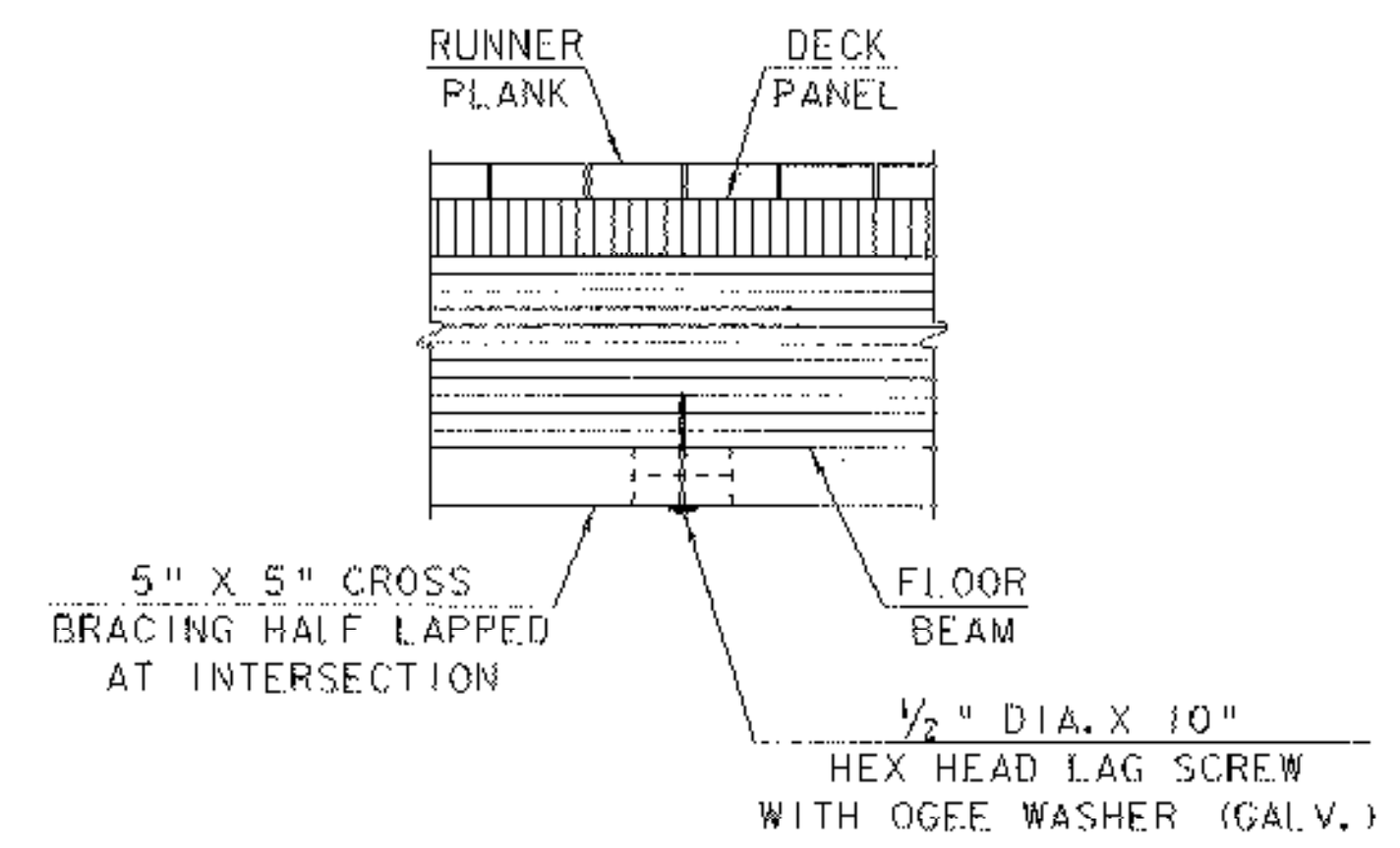
DETAIL A
 SCALE: 3/4" = 1'-0"



DETAIL B
 SCALE: 3/4" = 1'-0"

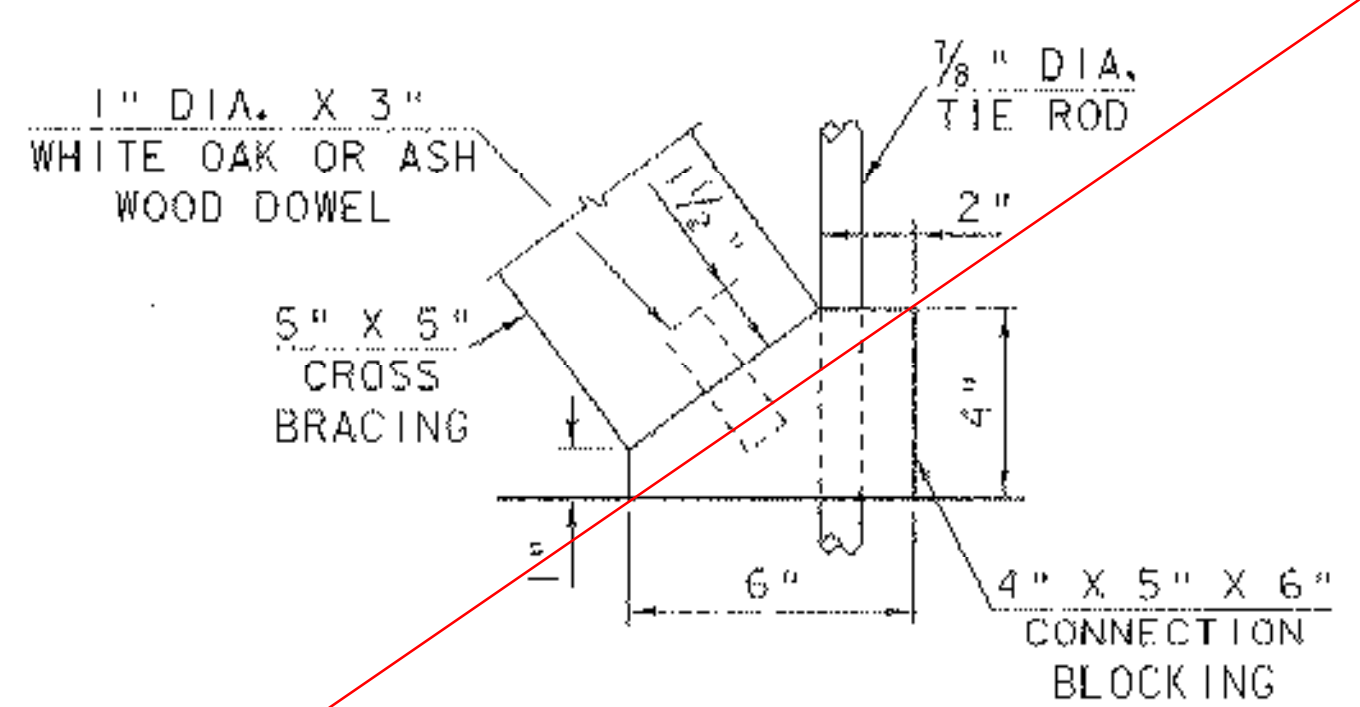


SECTION A-A
 SCALE: 3/4" = 1'-0"

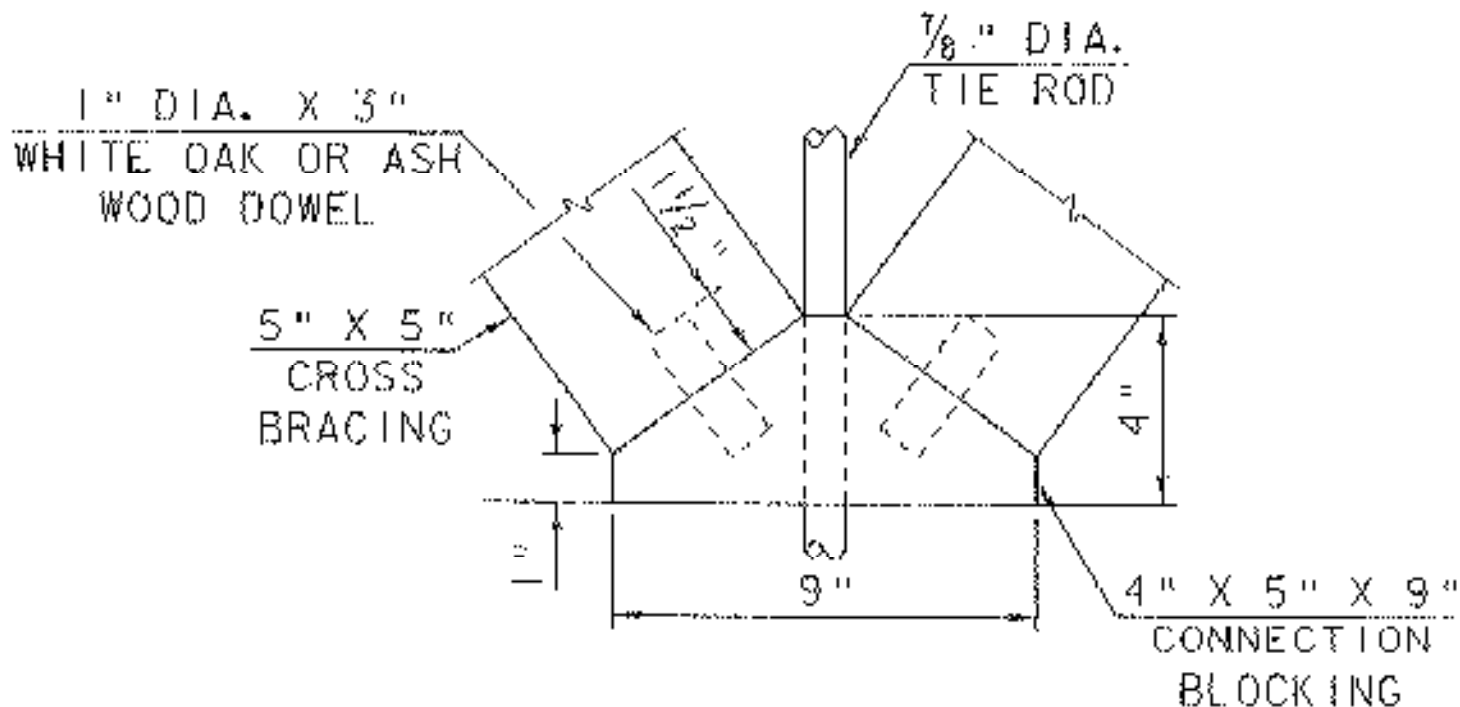


SECTION B-B
 SCALE: 3/4" = 1'-0"
 (TYP. AT EACH CROSS BRACING INTERSECTION)

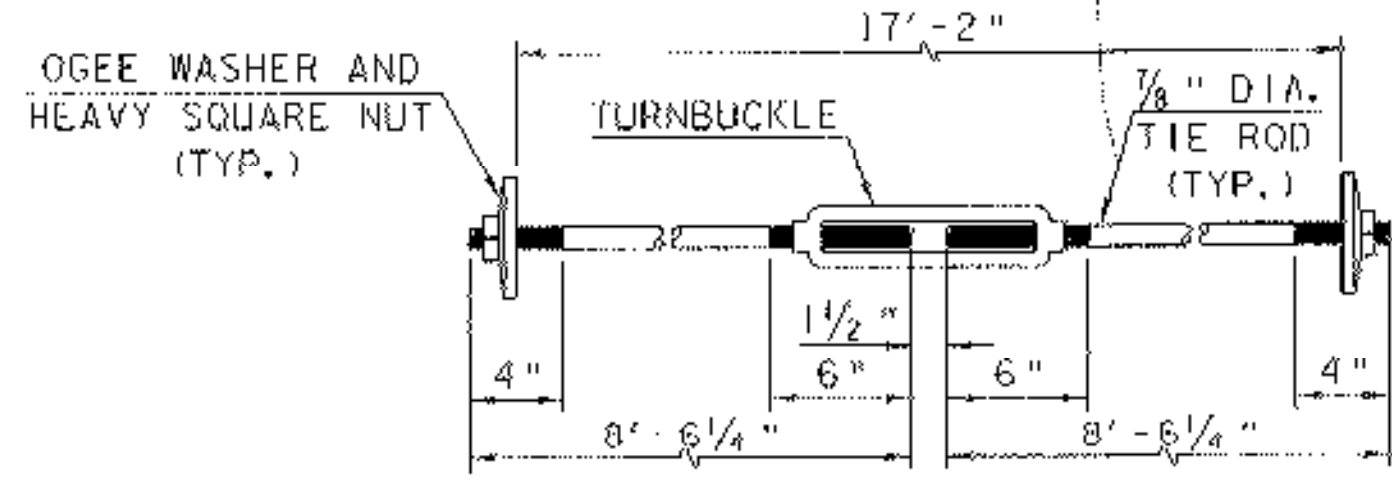
SEE REVISED SHEET



DETAIL C
 SCALE: 3" = 1'-0"



DETAIL D
 SCALE: 3" = 1'-0"



TIE ROD ASSEMBLY
 (GALVANIZED)
 SCALE: 1 1/2" = 1'-0"

FLOOR FRAMING PLAN

PROJECT NAME:	SALISBURY - CORNWALL
PROJECT NUMBER:	BHO 1445 (27)
FILE NAME:	96J268\Structures\sj268ffp.j
PROJECT MANAGER:	R.R. WYTCOMB
DESIGNED BY:	C. CARLSON
PLOT DATE:	02-APR-2007
DRAWN BY:	G. ROY
CHECKED BY:	CARLSON
SHEET	23 OF 60