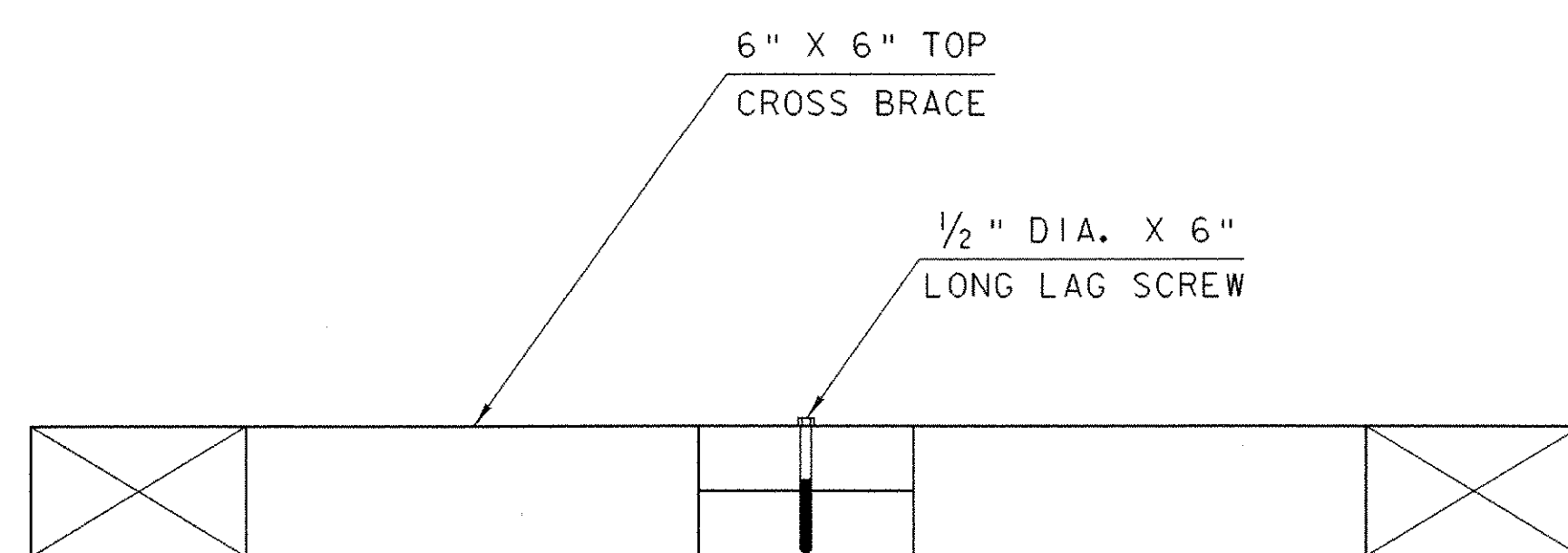


ROOF FRAMING PLAN

1 0 1 2 3 4 5 6
SCALE: 3/16" = 1'-0"



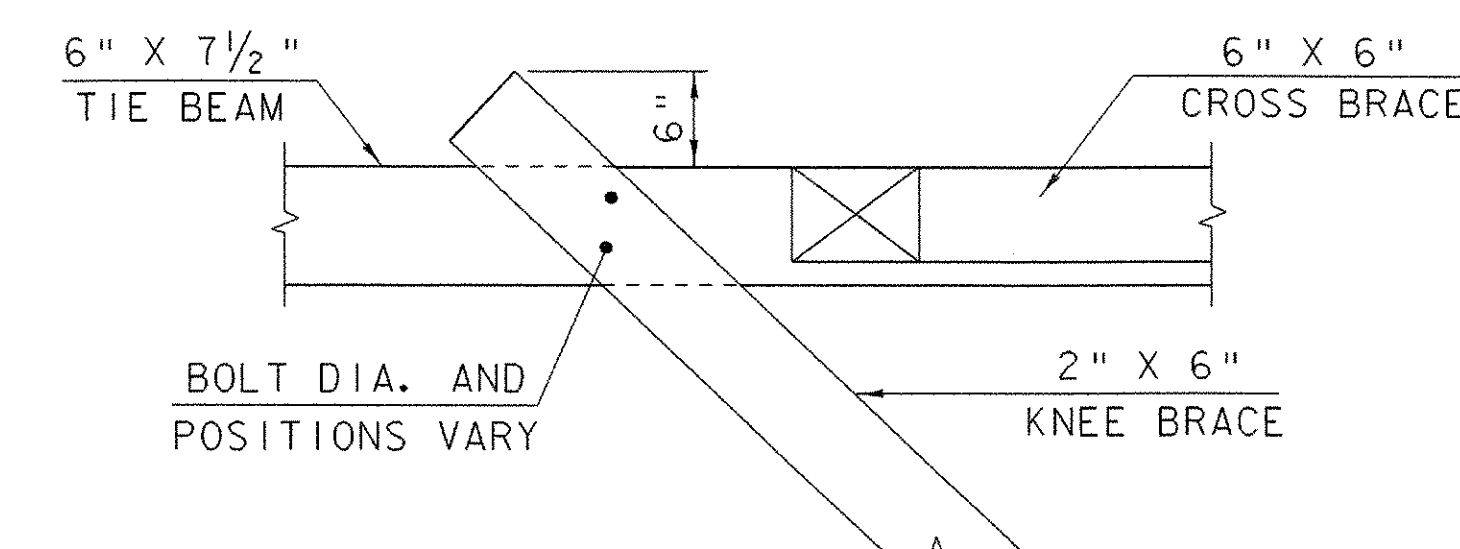
SECTION A-A

SCALE: 1 1/2" = 1'-0"



SECTION B-B

SCALE: 1" = 1'-0"



KNEE BRACE TO TIE BEAM CONNECTION

SCALE: 1" = 1'-0"

ROOF FRAMING PLAN

PROJECT NAME:	SALISBURY - CORNWALL	FILE NAME:	96J268\Structures\sJ268rfp.1	PLOT DATE:	02-APR-2007
PROJECT NUMBER:	BHO 1445 (27)	PROJECT MANAGER:	R. R. WHITCOMB	DRAWN BY:	G. ROY
		DESIGNED BY:	C. CARLSON	CHECKED BY:	C. CARLSON
				SHEET	22 OF 60