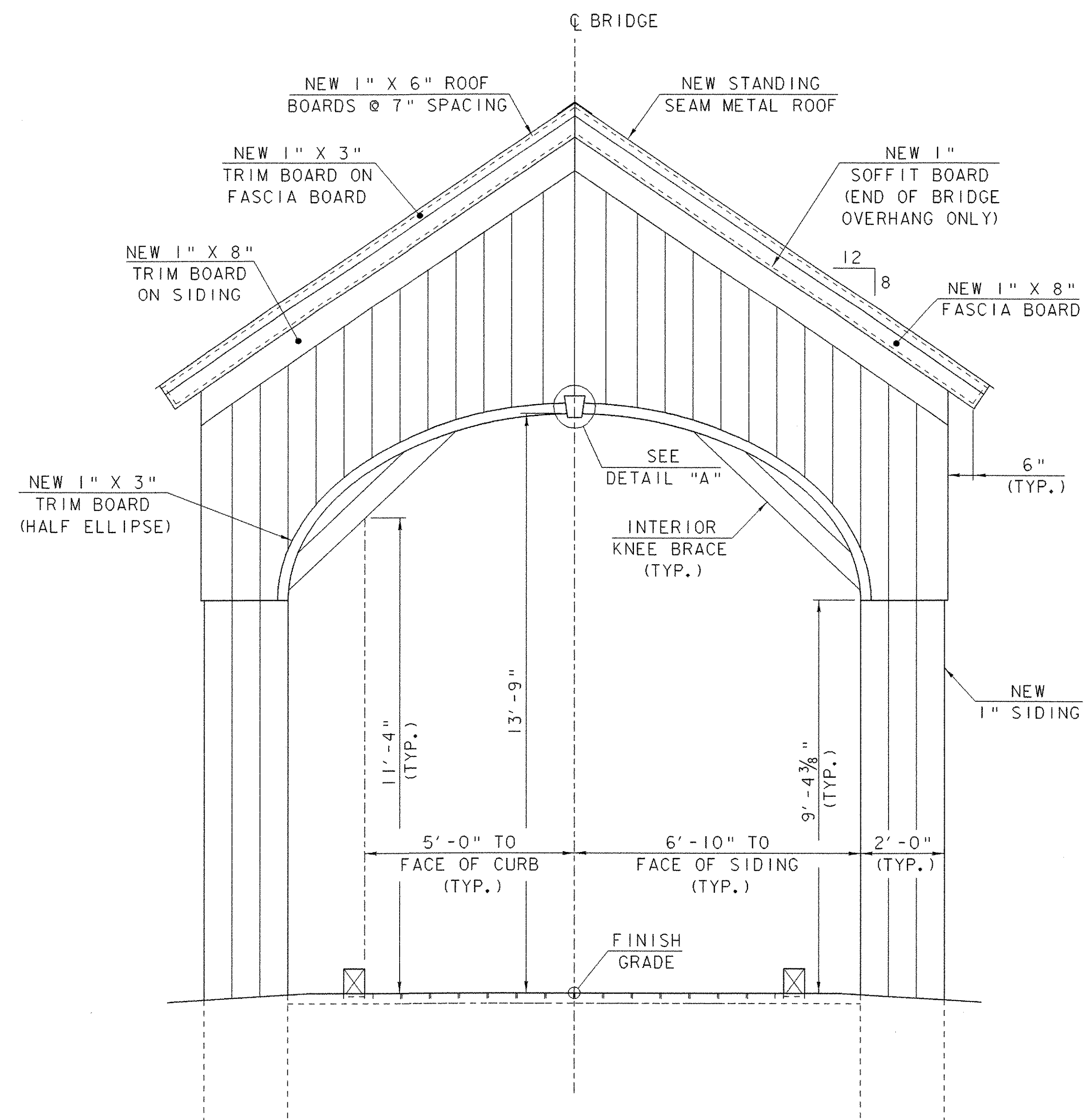
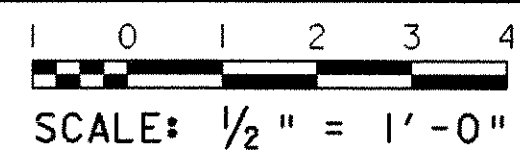
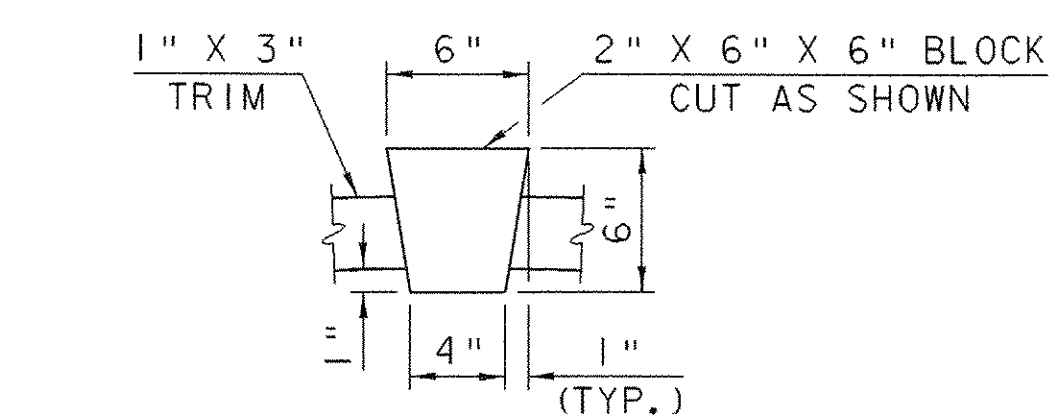
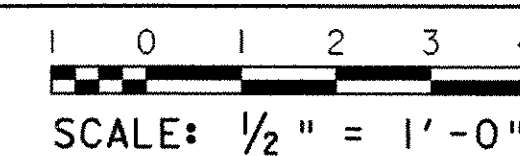


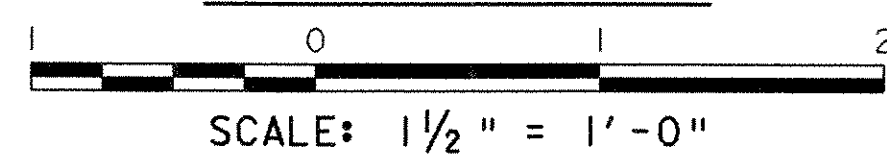
INTERIOR END ELEVATION



EXTERIOR END ELEVATION



DETAIL "A"



COVERED BRIDGE END DETAILS

PROJECT NAME:	SALISBURY - CORNWALL		
PROJECT NUMBER:	BHO 1445 (27)		
FILE NAME:	96j268\Structures\sj268cbcd.i	PLOT DATE:	02-APR-2007
PROJECT MANAGER:	R. R. WHITCOMB	DRAWN BY:	G. ROY
DESIGNED BY:	C. CARLSON	CHECKED BY:	C. CARLSON
			SHEET 21 OF 60