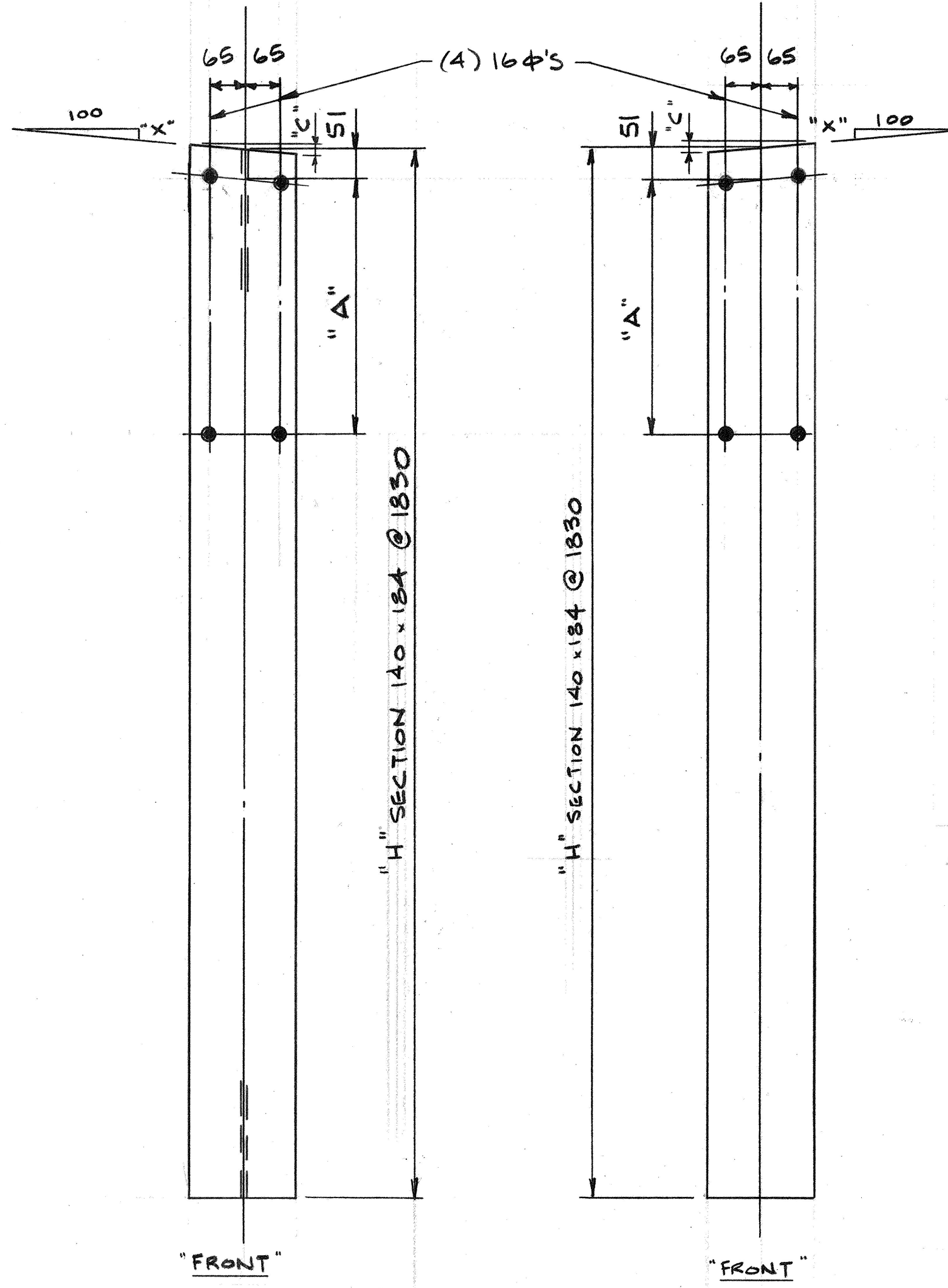


Approach Rail Posts #1 thru #4 14 ?

QTY.	Pc. Mk.	"X"	"A"	"B"	"C"
1	2-1	11	293	329	21
1	2-2	11	249	328	21
1	2-3	11	205	327	21
1	2-4	11	162	325	21
1	3-1	17	293	444	32
1	3-2	17	249	426	32
1	3-3	17	205	408	32
1	3-4	17	162	391	32

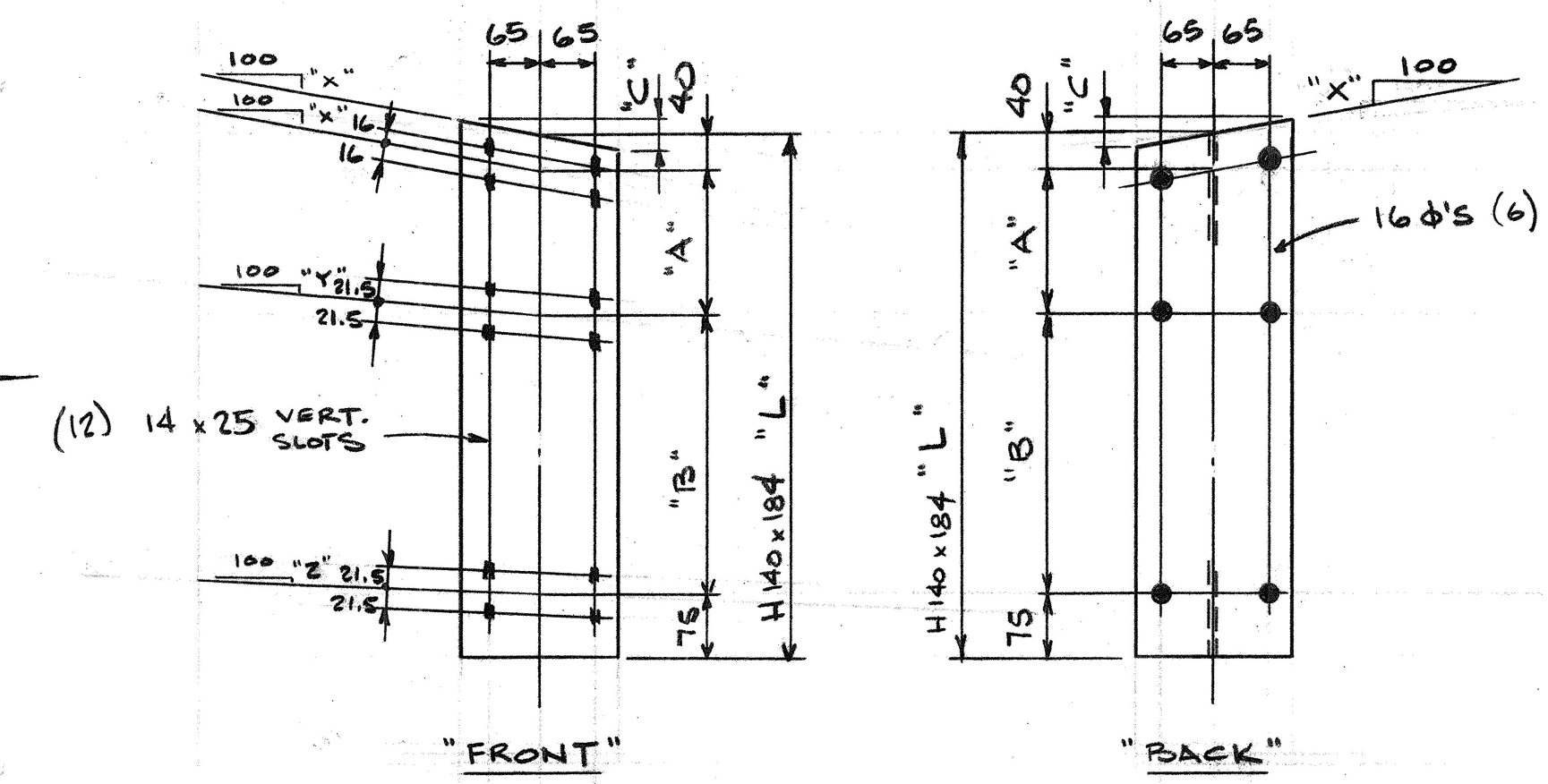
QTY.	Pc. Mk.	"X"	"A"	"B"	"C"
1	1-1	15	293	444	28
1	1-2	15	249	426	28
1	1-3	15	205	408	28
1	1-4	15	162	391	28
1	4-1	14	293	329	26
1	4-2	14	249	328	26
1	4-3	14	205	327	26
1	4-4	14	162	325	26



Approach Rail Posts #5 thru #7

QTY.	Pc. Mk.	"X"	"A"	"C"
1	2-5	6	323	11
1	2-6	6	322	11
1	2-7	6	320	11
1	3-5	12	367	22
1	3-6	12	344	22
1	3-7	12	320	22
6	3-8	8	320	15

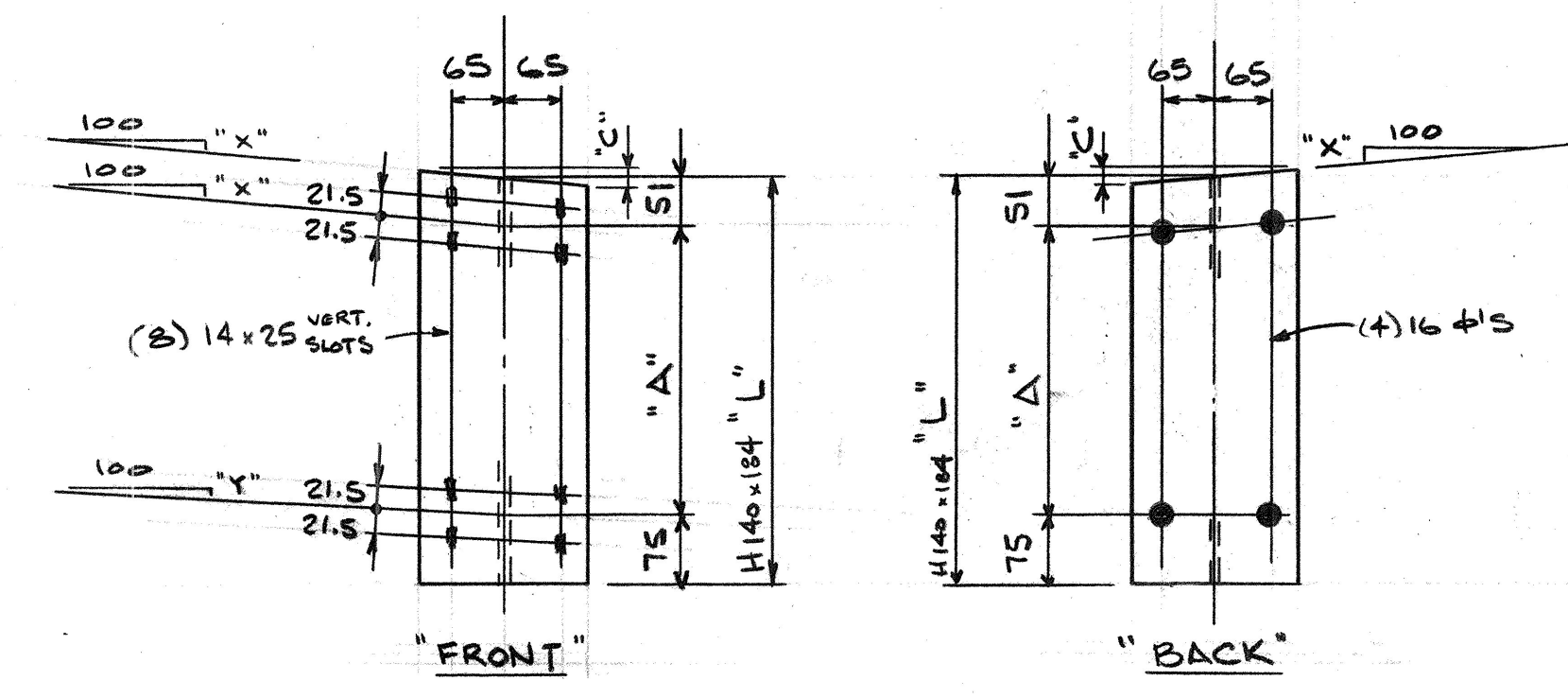
QTY.	Pc. Mk.	"X"	"A"	"C"
1	1-5	9	367	17
1	1-6	9	344	17
1	1-7	9	320	17
1	4-5	9	323	17
1	4-6	9	322	17
1	4-7	9	320	17



Offset Blocks - Posts #1 thru #4

"As Detailed"										"Opposite Hand"								
QTY.	Pc. Mk.	"L"	"X"	"Y"	"Z"	"A"	"B"	"C"		QTY.	Pc. Mk.	"L"	"X"	"Y"	"Z"	"A"	"B"	"C"
1	A2-1	737	11	6	6	293	329	21		1	A1-1	851	15	9	7	293	444	28
1	A2-2	691	11	6	6	249	328	21		1	A1-2	789	15	9	7	249	426	28
1	A2-3	646	11	6	6	205	327	21		1	A1-3	728	15	9	7	205	408	28
1	A2-4	601	11	6	6	162	325	21		1	A1-4	667	15	9	7	162	391	28
1	A3-1	851	17	10	8	293	444	32		1	A4-1	737	14	9	9	293	329	26
1	A3-2	789	17	10	8	249	426	32		1	A4-2	691	14	9	9	249	328	26
1	A3-3	728	17	10	8	205	408	32		1	A4-3	646	14	9	9	205	327	26
1	A3-4	667	17	10	8	162	391	32		1	A4-4	601	14	9	9	162	325	26

12 ? 10 ?



Offset Blocks - Posts #5 thru #7

"As Detailed"						"Opposite Hand"							
QTY.	Pc. Mk.	"L"	"X"	"Y"	"A"	"C"	QTY.	Pc. Mk.	"L"	"X"	"Y"	"A"	"C"
1	A2-5	449	6	6	323	11	1	A1-5	449	9	7	367	17
1	A2-6	448	6	6	322	11	1	A1-6	448	9	7	344	17
1	A2-7	446	6	6	320	11	1	A1-7	446	9	7	320	17
1	A3-5	493	12	10	367	22	1	A4-5	493	9	9	323	17
1	A3-6	470	12	10	344	22	1	A4-6	448	9	9	322	17
1	A3-7	446	12	10	320	22	1	A4-7	446	9	9	320	17
6	A3-8	446	8	8	320	15							

STATE OF VERMONT
AGENCY OF TRANSPORTATION
RECIEVED 08/20/2009
CK BY THL OK BY WDL
ACTION APPROVED AS NOTED
BY CWC DATE 08/26/2009

ALL DIMENSIONS ARE IN MILLIMETRES

AUCIELLO IRON WORKS INC 560 MAIN ST. HUDSON, MA (978) 568-8382	
VERMONT AGENCY OF TRANSPORTATION TOWN OF LINCOLN COUNTY OF ADDISON ROUTE NO. T.H. 9 CL3 BRIDGE No. 48 PROJECT No. BRO 1445 (26)	
ALUM. APPROACH RAIL POSTS	
SURFACE PREP: None	FINISH: ANODIZED BLACK PATIN FINISH
FOR: F.R. LAFAYETTE, INC.	
DR: <i>[Signature]</i> 5/22/09	DWG. NO. BR-2959
ISSUE DATE: 8-13-09	FOR APPROVAL
ISSUE DATE:	DESCRIPTION:
BY:	JOB NO. AB97048-1001
BY:	SHEET 1-F2 OF 4