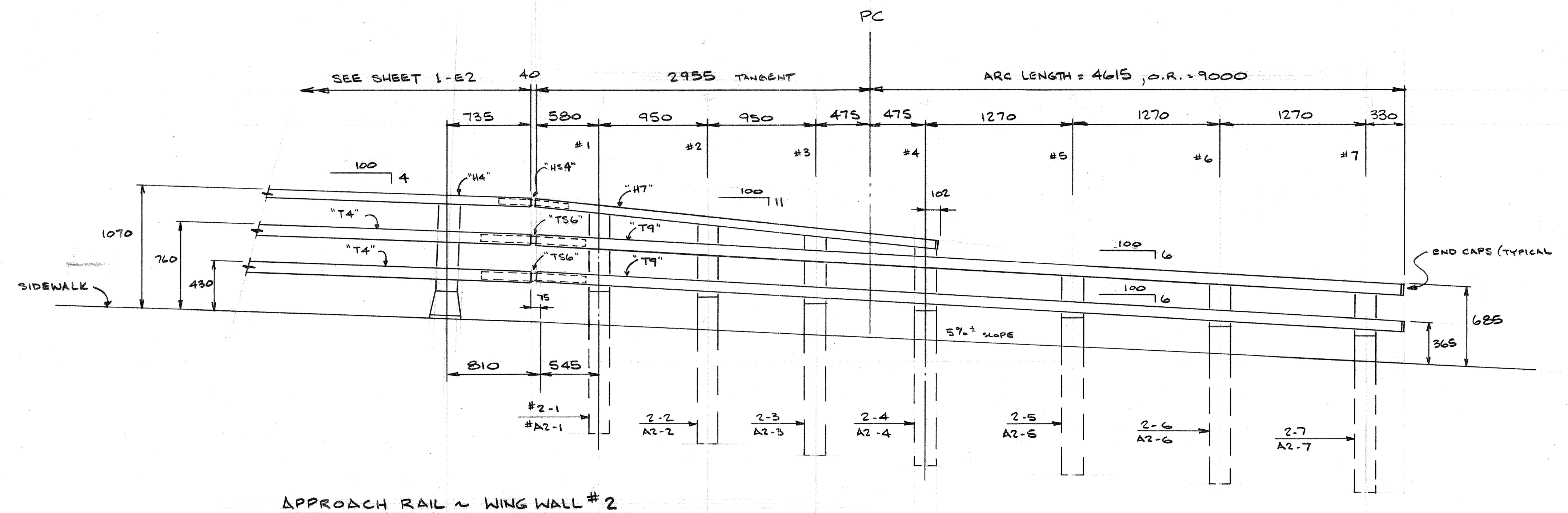


ALUMINUM APPROACH RAIL
RAIL DIMENSIONS FOR A SIDEWALK CONDITION

POST NO.	RAIL HEIGHT DIMENSIONS			OFFSET BLOCK DIMENSIONS			
	A	B	C	D	E	F	G
1	1035	754	424	293	329	737	-
2	981	744	416	249	328	691	-
3	928	734	408	205	327	646	-
4	874	724	399	162	325	601	-
5	-	711	388	-	323	-	449
6	-	698	376	-	322	-	448
7	-	685	365	-	320	-	446

NOTE:
POST SPACINGS & RADII ARE GIVEN AT NOSE OF TRAFFIC RAIL



STATE OF VERMONT
AGENCY OF TRANSPORTATION

RECEIVED 08/20/2009

CK BY THL OK BY WDL

ACTION APPROVED AS NOTED

BY CWC DATE 08/26/2009

AUCIELLO IRON WORKS INC 560 MAIN ST. HUDSON, MA (978) 568-8382	
VERMONT AGENCY OF TRANSPORTATION TOWN OF LINCOLN COUNTY OF ADDISON ROUTE No.: T.H. 9 CL 3 BRIDGE No. 48 PROJECT No. BRO 1445 (25)	
ALUMINUM APPROACH RAIL	
SURFACE PREP: NONE	FINISH: ANODIZED BLACK SATIN FINISH
FOR: F.R. LAFAYETTE, INC.	
DR: R/L 5/16/09	DWG. NO. BR-2959
CHK: [Signature]	JOB NO. AB97048-1001
ISSUE DATE: 8-13-09	DESCRIPTION: FOR APPROVAL
BY: [Signature]	SHEET 1-E4 OF 4

ALL DIMENSIONS ARE IN MILLIMETRES