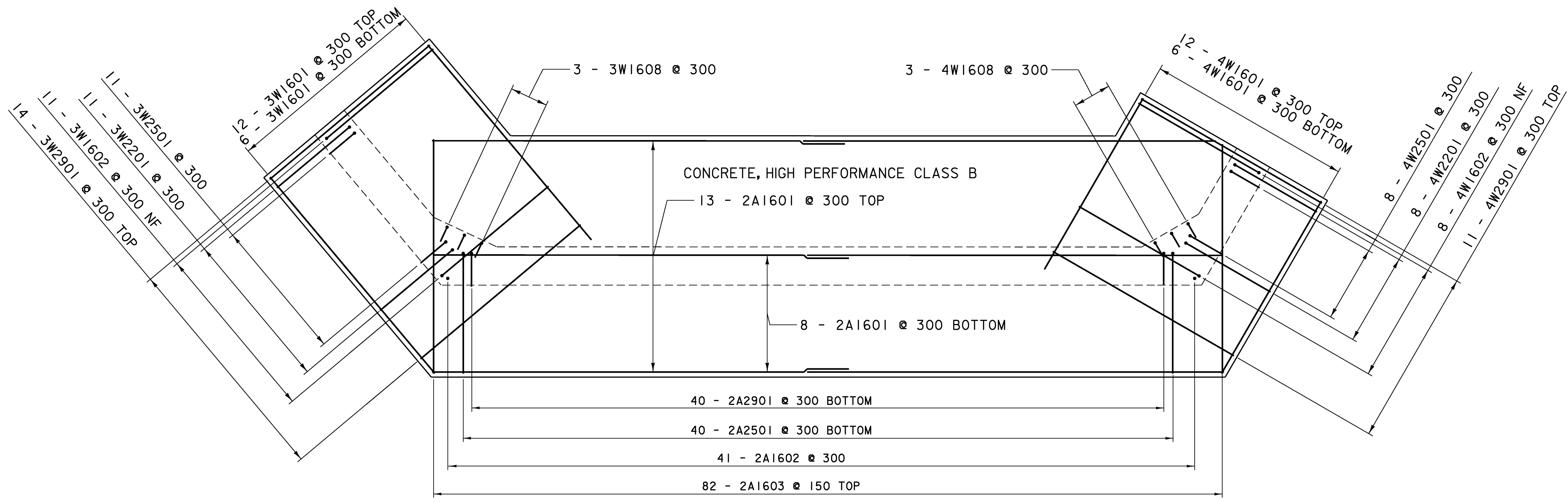
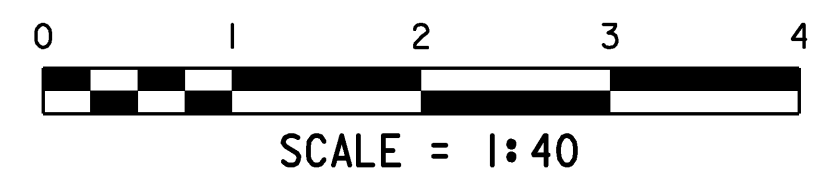


TYPICAL CONCRETE CONSTRUCTION JOINT  
NOT TO SCALE

ABUTMENT 1 FOOTING REINFORCING PLAN



ABUTMENT 2 FOOTING REINFORCING PLAN



**NOTES:**  
 NF = NEAR FACE  
 FF = FAR FACE  
 EF = EACH FACE  
 ▲ = CUT TO FIT IN FIELD  
 75 COVER UNLESS OTHERWISE SPECIFIED ON THE PLANS.  
 660 MIN. LAP SPLICE UNLESS OTHERWISE SPECIFIED ON THE PLANS.

SUBSTRUCTURE FOOTING PLAN

PROJECT NAME: LINCOLN	PLOT DATE: 29-JAN-2009
PROJECT NUMBER: BRO 1445(25)	DRAWN BY: C. MOONEY
FILE NAME: s96j266str.dgn	CHECKED BY: R. WHITCOMB
PROJECT LEADER: R. WHITCOMB	SHEET 42 OF 58
DESIGNED BY: S. SCRIBNER	
SUBSTRUCTURE FOOTING PLAN	