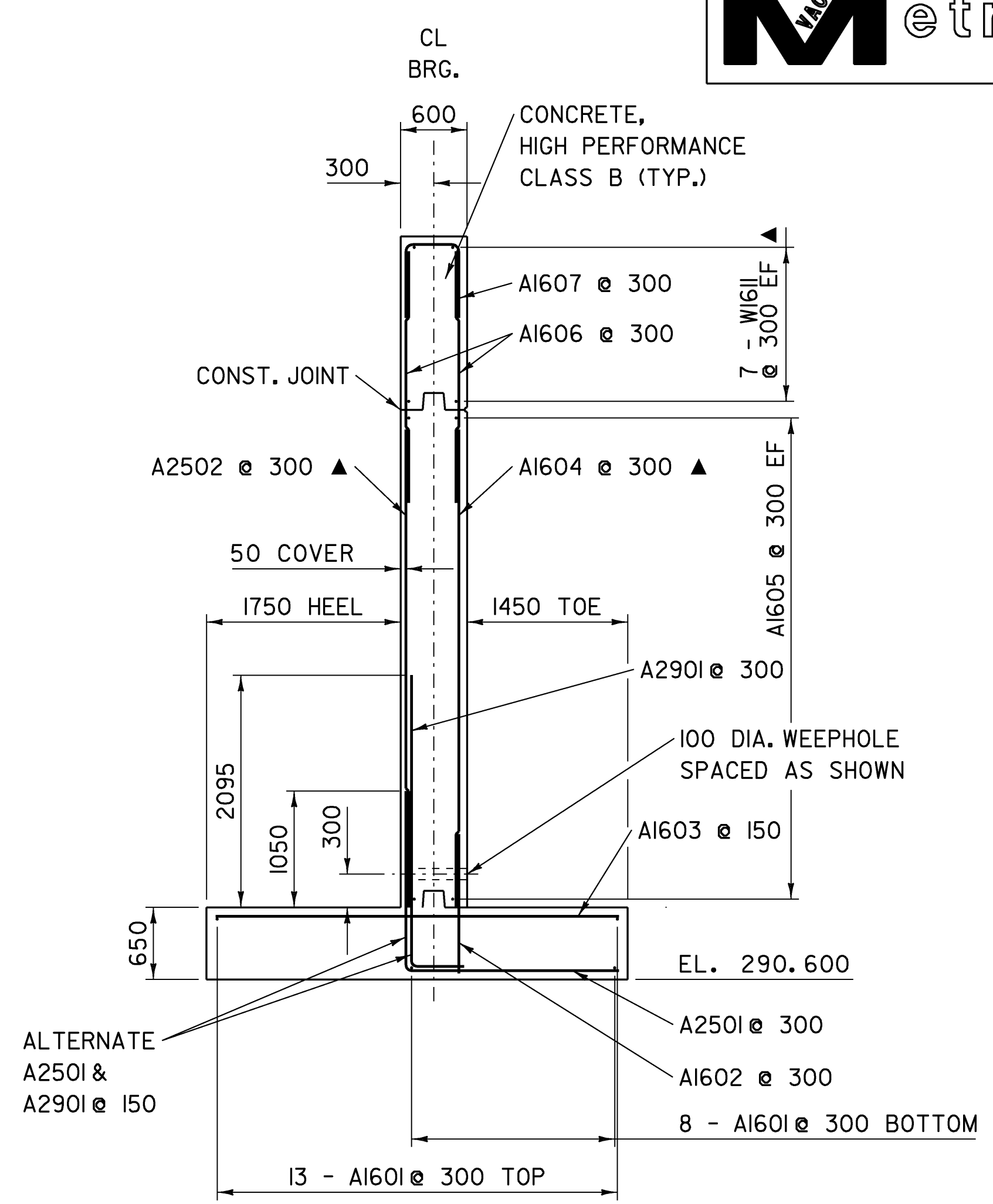
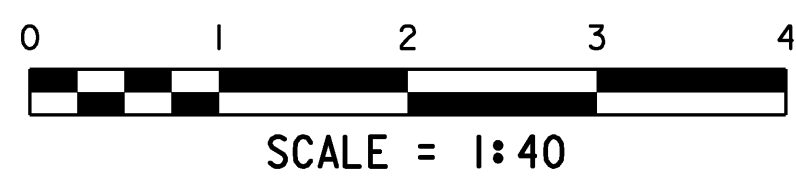
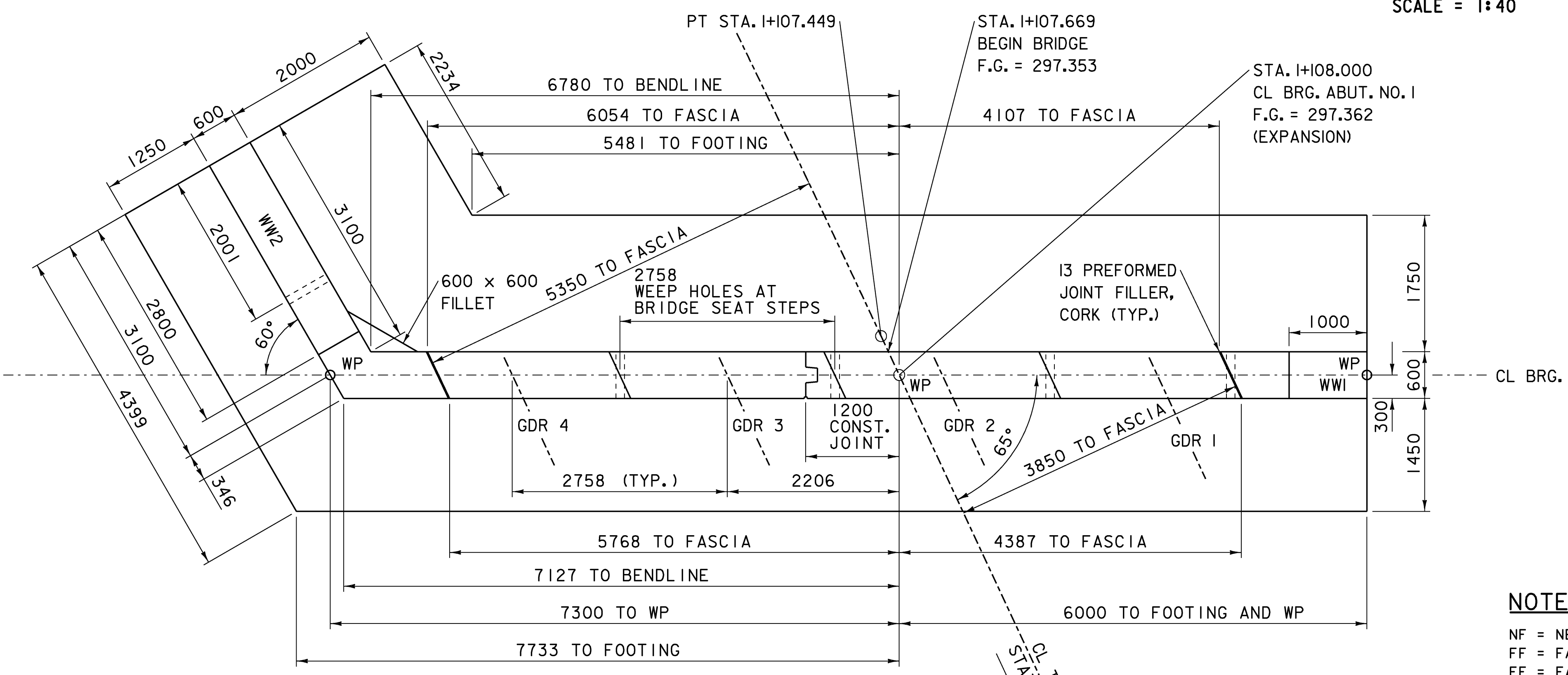


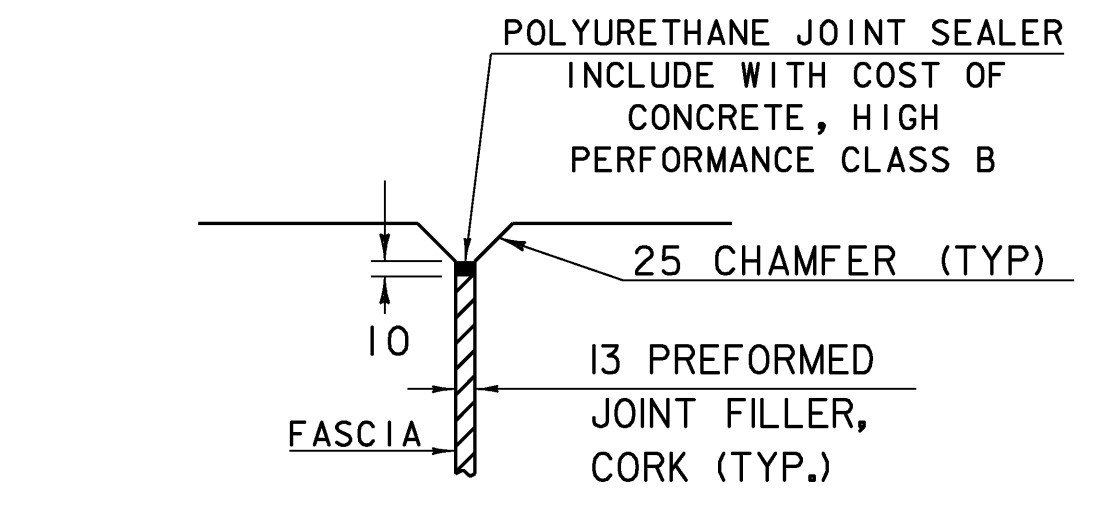
ABUTMENT I ELEVATION



ABUTMENT TYPICAL SECTION



ABUTMENT I PLAN



JOINT BETWEEN FASCIA AND WINGWALL
NOT TO SCALE

NOTES:
 NF = NEAR FACE
 FF = FAR FACE
 EF = EACH FACE
 ▲ = CUT TO FIT IN FIELD
 75 COVER UNLESS OTHERWISE SPECIFIED ON THE PLANS.
 660 MIN. LAP SPLICE UNLESS OTHERWISE SPECIFIED ON THE PLANS.

SUBSTRUCTURE ABUTMENT I DETAILS

PROJECT NAME: LINCOLN	PLOT DATE: 29-JAN-2009
PROJECT NUMBER: BRO 1445(25)	DRAWN BY: C. MOONEY
FILE NAME: s96j266str.dgn	CHECKED BY: R. WHITCOMB
PROJECT LEADER: R. WHITCOMB	SHEET 38 OF 58
DESIGNED BY: S. SCRIBNER	
SUBSTRUCTURE ABUTMENT I DETAILS	